

Cordless Hammer Drill - 3 611 J11 010 - GBH 18V-20

www.powertools-aftersaleservice.com



BOSCH

Item	Part Number	Description	Illustration	Price	Quantity	Price Group
	2 1 619 P13 742	Field	1	-,-	1	29
3/15	2 610 909 077	axial flow fan	1	-,-	1	13
	4 1 600 A00 F9H	Electronic Module	1	-,-	1	42
	5 2 604 690 055	Compression Spring	1	-,-	1	10
	6 1 619 P13 744	Lens	1	-,-	1	12
7/17	1 619 P09 721	O-Ring	1	-,-	1	12
7/19	1 610 210 184	O-Ring 22,0x2,5 MM	1	-,-	1	10
7/20	1 612 026 151	Clamp Handle BLACK	1	-,-	1	26
7/20/2	1 614 690 009	Driver Pin	1	-,-	1	15
7/20/3	1 612 026 035	Switch Button RED	1	-,-	1	11
7/20/4	1 610 210 046	O-Ring 10,5x2,7 MM	1	-,-	1	11
7/20/5	1 614 611 006	Compression Spring	1	-,-	1	15
7/22	1 616 328 053	Gear Sleeve	1	-,-	1	21
7/26	1 618 700 083	Hammer Piston	1	-,-	1	24
7/27	1 618 710 085	Striker	1	-,-	1	22
7/29	1 613 100 034	Piston Pin	1	-,-	1	14
7/33	1 615 820 103	Switching Element	1	-,-	1	13
7/34	1 619 P00 829	Retaining ring	1	-,-	1	10
7/37	1 610 100 016	Guide Disc	1	-,-	2	11
7/45	1 611 016 003	Holding Plate	1	-,-	1	12
7/47	1 610 202 031	Plain bearing	1	-,-	1	18
7/49	1 615 820 104	Switching Element	1	-,-	1	13
7/51	1 610 021 004	Shift Plate	1	-,-	1	10
7/52	1 610 021 006	Shift Plate	1	-,-	1	10
7/53	1 610 021 005	Shift Plate	1	-,-	1	10
7/54	1 613 023 005	Guide Rod	1	-,-	1	11
7/55	1 610 508 052	Protective Cap	1	-,-	1	10
7/60	1 614 601 077	Spring retaining ring	1	-,-	1	11
7/63	1 903 230 013	Ball DIN 5401-Ø7MM-III-ST	1	-,-	1	11
7/65	1 610 210 244	O-Ring 13,0x3,0 MM	1	-,-	1	12
7/75	1 614 643 025	Compression Spring	1	-,-	1	10
7/76	1 614 643 023	Compression Spring	1	-,-	1	10
7/77	1 619 P09 722	Shaft Seal	1	-,-	1	14

Item	Part Number	Description	Illustration	Price	Quantity	Price Group
9	1 619 P14 254	Manufacturer's nameplate GBH18V-20	1	-,-	1	13
10	1 619 P14 255	Manufacturer's nameplate GBH18V-20	1	-,-	1	13
11	1 619 P14 172	Reference Plate	1	-,-	1	13
15	2 603 100 056	Damping rubber	1	-,-	1	11
66	1 900 905 029	Ball Bearing 8x22x7	1	-,-	2	28
67	1 610 905 047	groove ball bearing	1	-,-	1	20
68	1 600 100 037	Plain Washer	1	-,-	1	10
69	1 619 P13 747	Change-Over Switch	1	-,-	1	12
71	2 603 490 023	Torx Oval-Head Screw 4x20	1	-,-	8	10
72	1 619 P09 645	Torx Oval-Head Screw	1	-,-	4	10
73	1 619 P06 252	Torx Oval-Head Screw	1	-,-	4	11
651	1 613 001 009	Depth-Gauge SW 6x210 MM	2	-,-	1	15
653	2 607 336 819	Battery Pack USA BAT620 18V 4,0Ah	2	-,-	1	51
654	2 607 225 033	Fast Charger USA 120/7,2-24V, 30 MIN.	2	-,-	1	46
654	2 607 225 429	Fast Charger USA 120/10,8-18V, 1h	2	-,-	1	41
654	2 607 225 927	Charger USA BC 1880 CV 13,3-18V/120V	2	-,-	1	47
691/895	1 619 P14 336	Latch	2	-,-	2	17
801	1 619 P14 446	Motor Housing	1	-,-	1	30
803	1 619 P14 346	Armature	1	-,-	1	35
808	1 619 P14 351	Nameplate	1	-,-	1	13
816	1 619 P14 345	Carbon-Brush Set	1	-,-	1	24
818	1 619 P09 616	Intermediate Flange	1	-,-	1	31
821	1 619 P09 617	Hammer Pipe	1	-,-	1	42
821/28	1 613 124 084	Striker Pin	1	-,-	1	16
821/31	1 619 P09 816	Retaining ring	1	-,-	1	10
821/32	1 619 P07 426	Rubber Bushing	1	-,-	1	16
821/36	1 610 551 008	Holding Plate	1	-,-	1	11
821/38	1 616 317 084	Cylindrical Gear	1	-,-	1	28
821/39	1 614 601 055	Retaining ring	1	-,-	2	10
821/40	1 613 100 032	Straight Pin	1	-,-	2	10
821/41	1 610 102 072	Ratchet Disc	1	-,-	1	18
821/44	1 610 102 092	Friction Washer	1	-,-	1	10
821/46	1 614 630 003	Compression Spring	1	-,-	1	12
821/50	1 600 A00 FL3	Thrust Ring	1	-,-	1	14
821/211	1 619 P09 815	Hammer Pipe	1	-,-	1	33
822	1 602 025 08X	Auxiliary Handle	2	-,-	1	28
822/120	1 602 025 07H	Auxiliary Handle	2	-,-	1	23
822/124	1 611 316 021	Clamping Band Ø50 MM	2	-,-	1	14
822/125	1 613 490 002	T-Head Bolt M8x40 MM	2	-,-	1	14
822/802	1 617 000 475	Support clamp	2	-,-	1	22
824	1 617 000 6BC	Jack Shaft	1	-,-	1	36
843	1 619 P09 186	Gear Housing	1	-,-	1	33
856	1 617 000 6EP	Protection Sleeve	1	-,-	1	21
892	1 615 430 020	Grease Tube 225 ML	2	-,-	1	29
893	1 615 430 001	Grease Tube 225 ML	2	-,-	1	31

Illustration - Type E

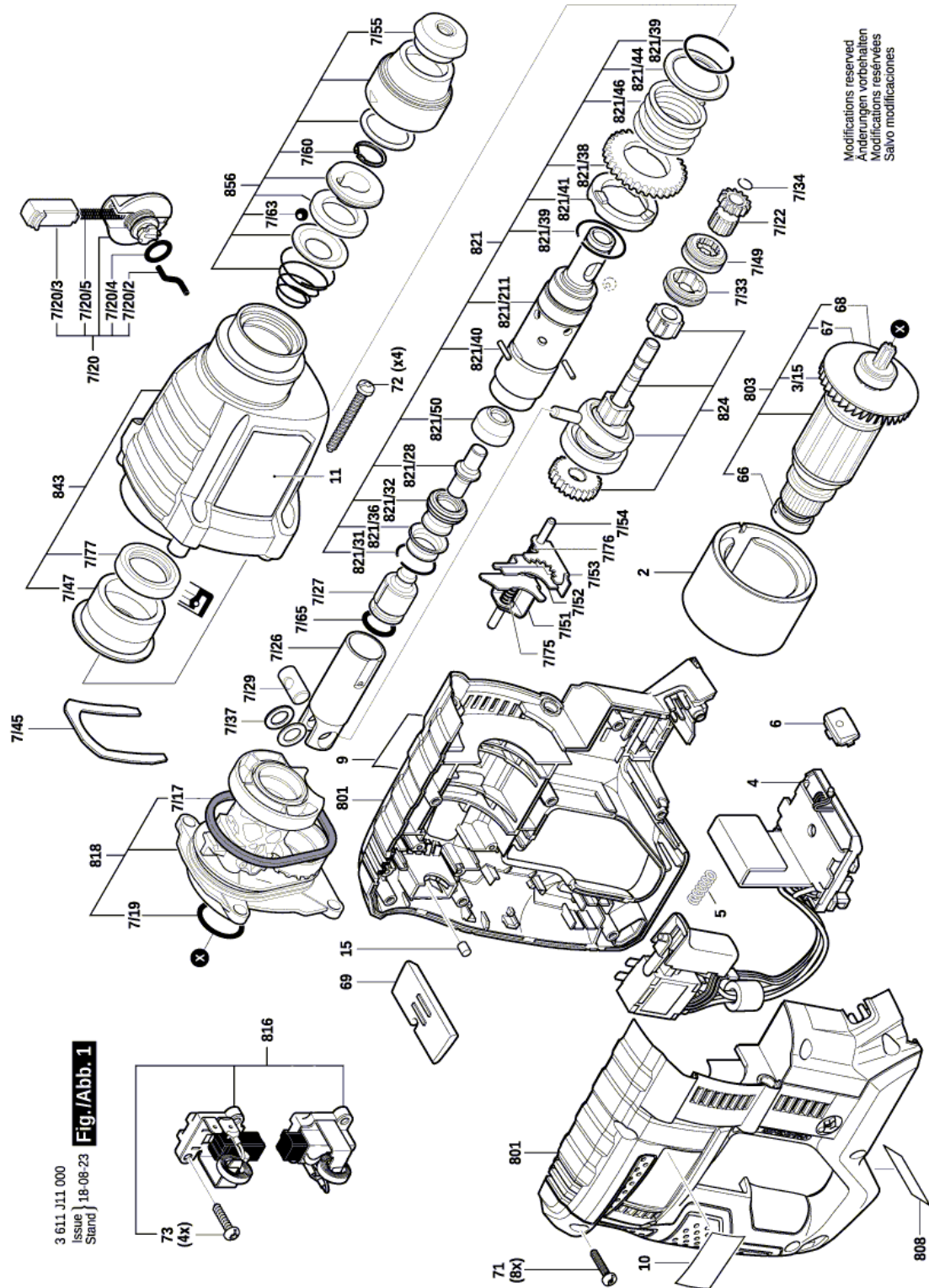
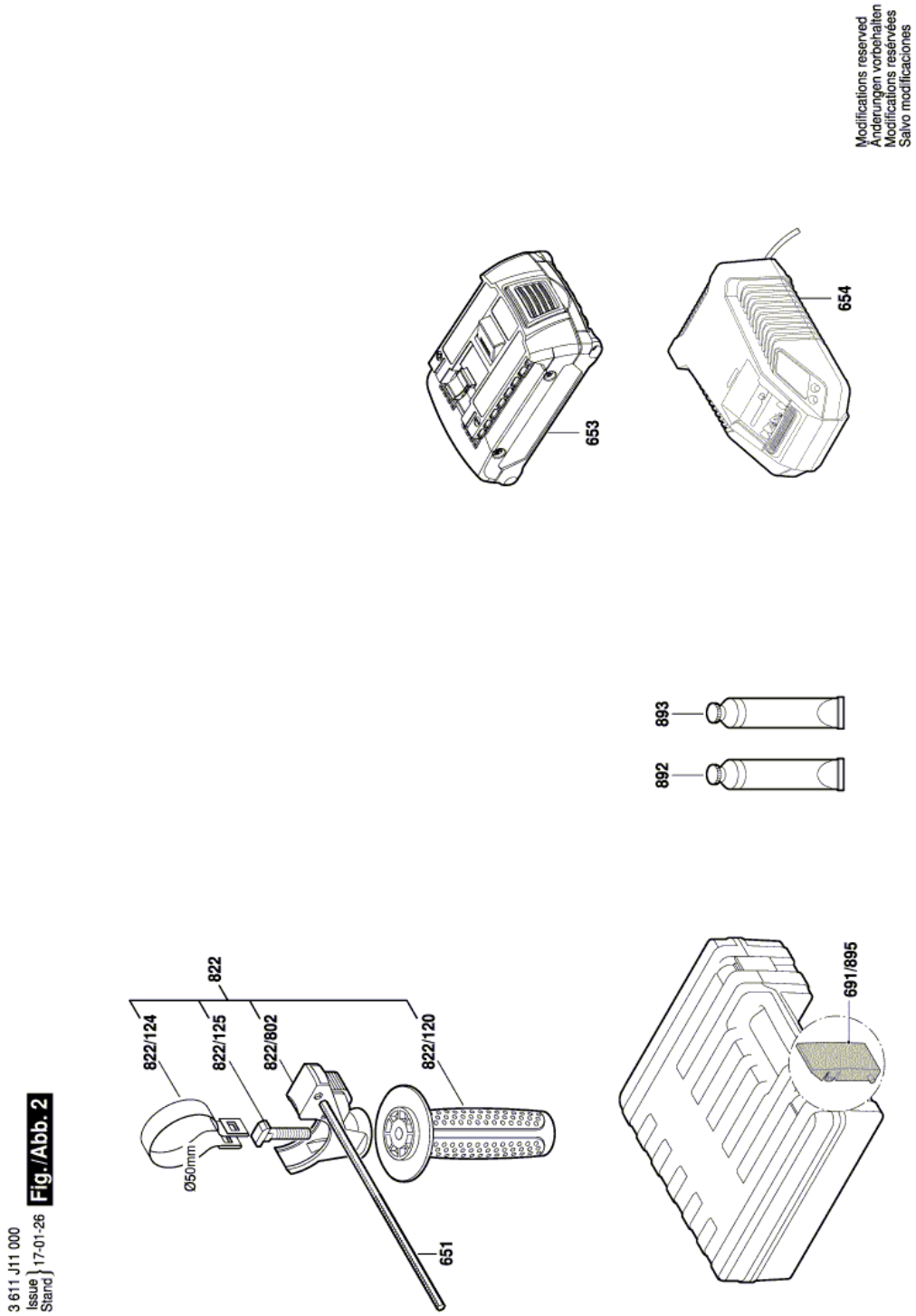


Illustration - Type E



Information subject to change without further notice.