



**BOSCH**

# Rotary Hammer

GBH 12-52 D | 3 611 B66 180

---

## Table of Content

Spare parts list.....	2
Illustration - Type.....	6

## Spare parts list

Item	Part Number	Description
1	1 615 108 172	Motor Housing
2	1 604 220 23P	Field 230V
4	1 617 200 130	Switch
5	1 614 460 088	Power supply cord CN 4,15m 2 x 1,0mm H07 RN-F
6	1 610 703 053	Grommet Ø9,7-Ø12x89 MM
7	1 601 302 018	Fastening Clamp
9	1 601 11A 48B	Manufacturer's nameplate
15	1 616 610 114	Fan
16	1 600 A00 15D	Clamp ring
20	1 618 597 105	Toolholder
21	1 600 A00 1XC	Protective Cap
22	1 610 591 054	Protection Sleeve
23	1 610 520 007	Stop Sleeve
24	1 610 500 026	Headed Bush
25	1 612 300 025	Stopping Device
26	1 610 290 027	Indexing Disk
27	1 600 591 056	Air-Deflector Ring
28	1 614 621 017	Compression Spring
31	1 610 290 123	Damping Ring
37	1 610 322 019	Control Bushing
38	1 600 A00 4BM	Covering hood
43	1 615 500 447	Brush-Cover
44	1 614 621 016	Compression Spring
45	1 610 591 053	Holding-Down-Appliance
47	1 610 300 082	Gear Sleeve
48	1 619 990 179	Clutch Sleeve
51	1 616 333 053	Crown Gear
54	1 600 A00 218	Spacer Tube
59	1 615 805 079	Bearing Pedestal
61	1 600 A00 15E	grease distributor
66	1 600 210 246	Rubber Ring
67	1 600 A00 0XS	Eccentric Shaft
68	1 600 A00 15F	Pickup Clip
69	1 613 100 040	Piston Pin

Spare parts list

Item	Part Number	Description
70	1 600 A00 1Y6	Connecting Rod
72	1 616 317 622	Eccentric Cog Wheel
74	1 600 A00 0XT	Eccentric Bolt
80	1 607 233 461	Speed governor
95	1 613 120 025	Driving Pin
99	1 600 A00 5BD	Supporting Disc
111	1 615 801 027	Bushing
112	1 613 300 009	Hex Nut
113	1 603 435 07A	Torx Oval-Head Screw
116	1 600 905 035	groove ball bearing 12x37x12
119	1 600 900 041	groove ball bearing
120	1 610 190 078	Spacer bushing
121	1 615 805 080	Plain bearing
122	1 610 290 122	Spacer Ring
125	1 613 435 040	Torx Oval-Head Screw
126	2 603 490 023	Torx Oval-Head Screw 4x20
132	1 605 500 44M	Cover
133	1 610 205 016	Felt
138	1 611 015 065	Sealing Frame
141	1 610 290 119	Shaft Seal
143	1 614 601 071	Retaining ring
144	1 610 101 023	Supporting Disc
151	1 610 210 236	O-Ring
152	1 614 601 022	Retaining ring
153	2 916 540 018	Retaining ring DIN 7993-A32
154	2 916 660 040	Spring retaining ring DIN 472-68x2,5MM
155	1 614 601 080	Spring retaining ring
156	1 600 150 01V	Spring retaining ring
157	1 610 210 238	O-Ring
158	1 610 210 239	Rubber Ring
160	1 610 210 240	Damping Ring
161	1 610 210 241	Damping Ring
162	1 610 210 237	O-Ring
163	1 610 210 242	Seal Ring
165	1 600 A00 0XU	Seal Fastener

Spare parts list

Item	Part Number	Description
166	1 613 200 022	Cylindrical Roller
167	1 610 290 124	Rotary shaft lip seal
168	1 600 A00 1XD	Seal Ring
170	1 600 A00 15H	Torx socket button screw
171	1 613 414 026	Torx socket button screw
172	1 613 435 041	Torx Oval-Head Screw
173	1 613 490 024	Torx Oval-Head Screw M5x20
175	1 603 435 07D	Torx Oval-Head Screw
189	1 615 132 13B	Handle
190	1 615 500 438	Handle Cover
206	1 612 386 007	Retaining Part
209	1 600 A00 2ST	Control Lever
244	1 600 A00 13J	Plug Housing
803	1 607 000 C3Y	Armature assembly 230V
808	1 601 11A 3H5	Nameplate
810	1 607 000 C3Z	Carbon-Brush Set
813	1 607 000 C40	groove ball bearing
814	1 607 000 C41	groove ball bearing
820	1 607 000 C42	Tool Holder Set
821	1 607 000 C5H	Brush Holder
835	1 607 000 C43	Hammer Pipe
840	1 607 000 C44	Impact Mechanism Housing
841	1 607 000 C45	Striker Pin
849	1 607 000 C46	Control Fork
853	1 607 000 C47	Guide Bushing
856	1 607 000 C48	Hammer Piston
857	1 607 000 C49	Striker
859	1 607 000 C4A	Bearing Pedestal
860	1 607 000 C4B	Spur Wheel Clutch
872	1 607 000 C4C	Eccentric
873	1 607 000 C4D	Housing Cover
899	1 607 000 C4G	Service package
84	1 602 025 07H	Auxiliary Handle
85	1 618 040 097	Support clamp
87	1 611 316 038	Clamping Band

Spare parts list

Item	Part Number	Description
884	1 607 000 C4E	Auxiliary Handle

Illustration - Type - E

3 611 B66 100  
 Issue | 23-06-15  
 Stand | **Fig./Abb. 1**

Ausrastmoment Kupplung neu min. 24 - 32Nm  
 Minimum Slipping point torque of New Clutch 24 - 32Nm  
**Vers. A: Bei 17Nm und weniger - Kupplung ersetzen!**  
**Vers. A: At 17Nm and less - replace clutch!**  
**Vers. B: Bei 19Nm und weniger - Kupplung ersetzen!**  
**Vers. B: At 19Nm and less - replace clutch!**

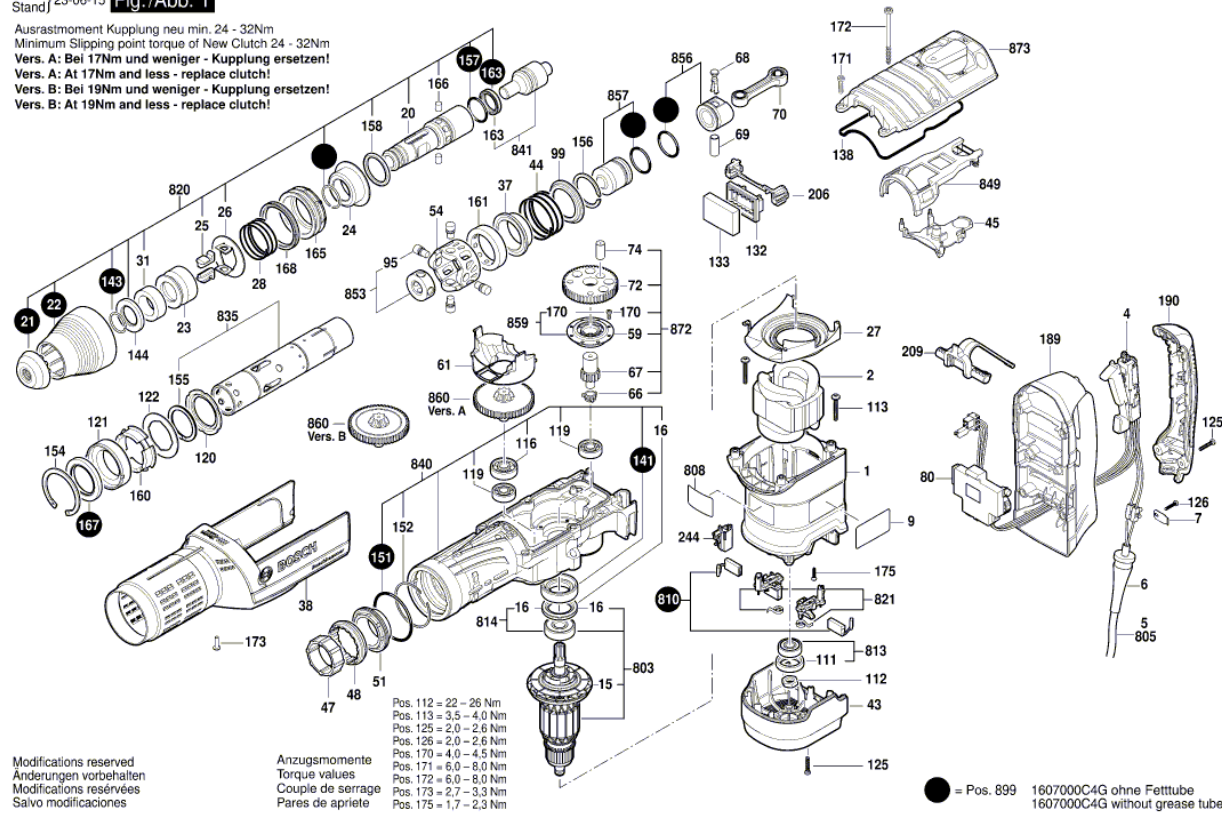
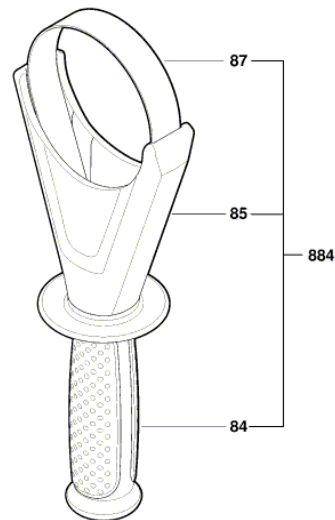


Illustration - Type - E

3 611 B66 100  
Issue | 15-09-25  
Stand | **Fig./Abb. 2**



Modifications reserved  
Änderungen vorbehalten  
Modifications réservées  
Salvo modificaciones