



**BOSCH**

# Battery Pack

GBA18V40 | 1 607 A35 0AP

---

## Table of Content

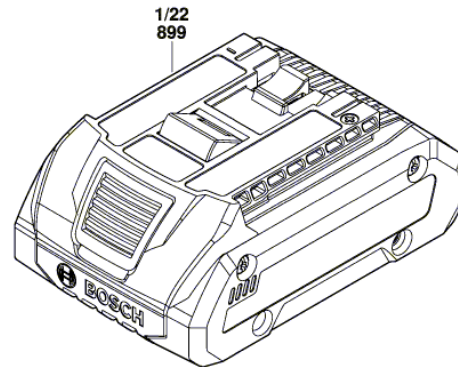
Spare parts list.....	2
Illustration - Type.....	3

**Spare parts list**

<b>Item</b>	<b>Part Number</b>	<b>Description</b>		<b>Illustration</b>
899	1 607 A35 0AP	Battery Pack ProCore SCM	USA GBA18V40 18V 4.0Ah	1

Illustration - Type - E

1 607 A35 085  
Stand }  
Issue } 19-08-01 **Fig. /Abb. 1**



Änderungen vorbehalten  
Modifications reserved  
Modifications réservées  
Salvo modificaciones