



**BOSCH**

# Battery Pack

GBA12V60 10.8V/12V 6.0Ah | 1 607 A35 06H

---

## Table of Content

Spare parts list.....	2
Illustration - Type.....	3

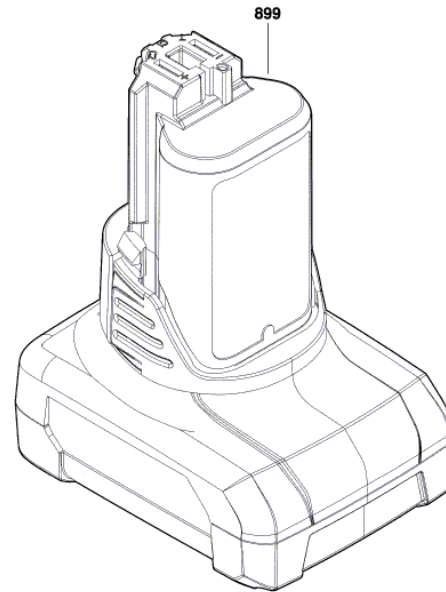
**Spare parts list**

Item	Part Number	Description	Illustration	Price	Quantity	Price Group
899	1 607 A35 06H	Battery Pack GBA12V60 10.8V/12V 6.0Ah	1	-	1	

\* Prices shown are suggested retail prices

Illustration - Type - E

2 607 336 779  
Issue |  
Stand | 20-10-06 Fig./Abb. 1



Modifications reserved  
Änderungen vorbehalten  
Modifications réservées  
Salvo modificaciones