

Battery Vacuum Cleaner - 3 601 JC6 210 - GAS18V-02

www.powertools-aftersaleservice.com

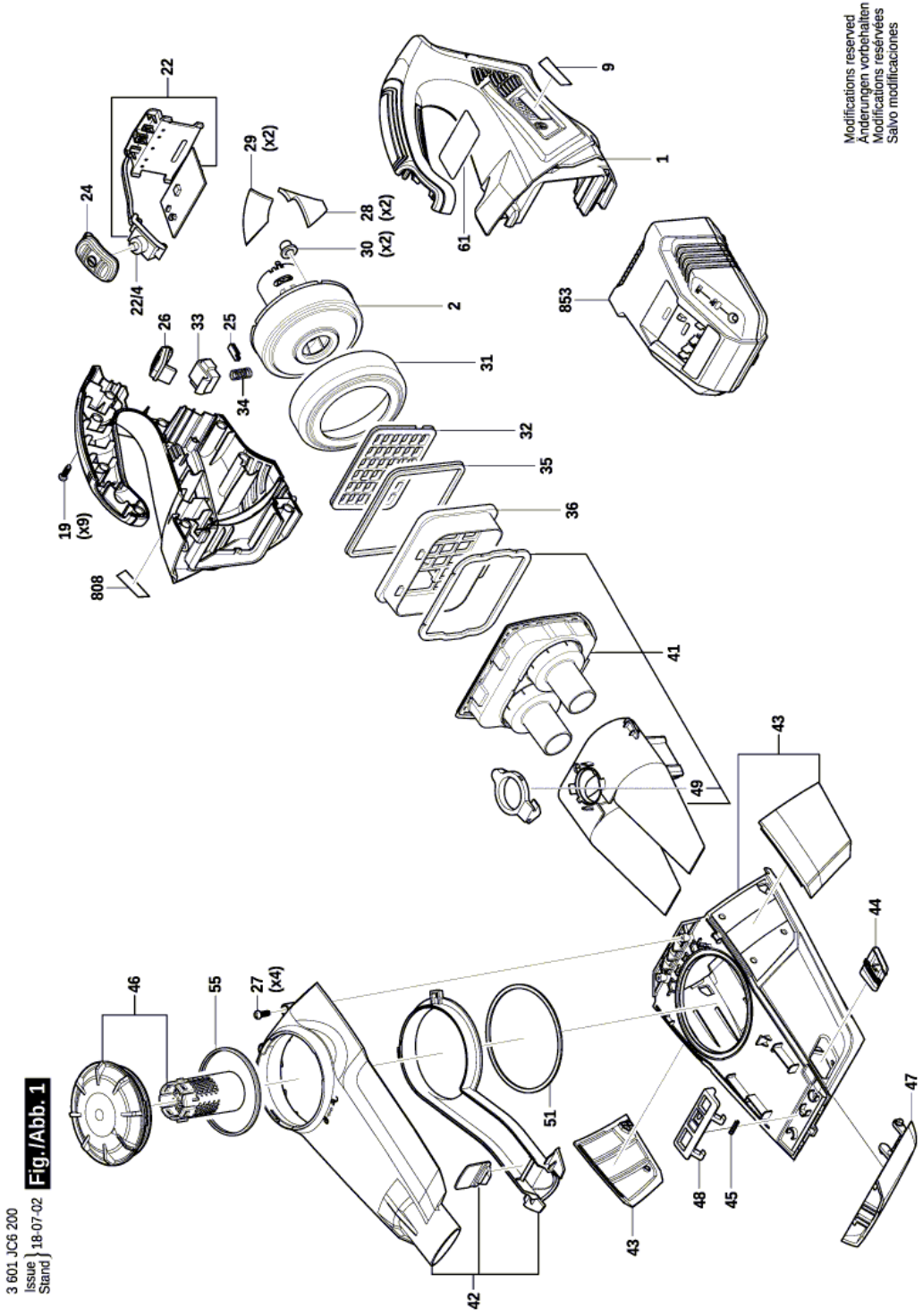


BOSCH

Item	Part Number	Description	Illustration	Price	Quantity	Price Group
1	1 619 PB2 076	Motor Housing	1	-,-	1	33
2	1 619 PB2 077	DC motor	1	-,-	1	35
9	1 601 11C 2L0	Manufacturer's nameplate GAS18V-02	1	-,-	1	13
19	1 619 PB2 078	Tapping Screw	1	-,-	9	10
22	1 619 PB0 706	Electronic Module	1	-,-	1	37
22/4	2 607 202 358	On-Off Switch	1	-,-	1	36
24	1 619 PB2 079	Switch Button	1	-,-	1	12
25	1 619 PB2 080	Seal	1	-,-	1	10
26	1 619 PB2 081	Push-Button	1	-,-	1	10
27	1 619 PB2 082	Tapping Screw	1	-,-	4	10
28	1 619 PB2 083	Sponge	1	-,-	2	10
29	1 619 PB2 084	Sponge	1	-,-	2	10
30	1 619 PB2 085	Rubber Pad	1	-,-	1	10
31	1 619 PB2 086	Sealing Cover	1	-,-	1	11
32	1 619 PB2 087	Grid	1	-,-	1	10
33	1 619 PB2 088	Stop Block	1	-,-	1	10
34	1 619 PB2 089	Contact strap	1	-,-	1	10
35	1 619 PB2 090	Sealing Ring	1	-,-	1	10
36	1 619 PB2 034	Filter	1	-,-	1	22
41	1 619 PB2 091	Dust Separator	1	-,-	1	23
42	1 619 PB2 099	Inlet Cover	1	-,-	1	20
43	1 619 PB2 092	Dust Chamber	1	-,-	1	28
44	1 619 PB2 093	Button	1	-,-	1	10
45	1 619 PB2 094	Contact strap	1	-,-	1	10
46	1 619 PB2 101	Cover	1	-,-	1	13
47	1 619 PB2 095	front cover	1	-,-	1	17
48	1 619 PB2 096	Sliding Block	1	-,-	1	10
49	1 619 PB2 097	Seal	1	-,-	1	10
51	1 619 PB2 098	Sealing Ring	1	-,-	1	10
55	1 619 PB2 100	Sealing Ring	1	-,-	1	10
61	1 600 A01 77N	Warning Label	1	-,-	1	13
651	1 619 PA9 899	floor nozzle	2	-,-	1	27
652	1 619 PA9 897	Crevice Nozzle	2	-,-	1	15

Item	Part Number	Description	Illustration	Price	Quantity	Price Group
653	1 619 PA9 898	Suction Tube	2	-,-	2	24
654	1 619 PB2 102	Holder	2	-,-	1	10
655	1 619 PB2 039	Hose	2	-,-	1	15
808	1 619 PB2 158	Nameplate	1	-,-	1	13
851	1 600 A00 P3H	Slide-In Accu Package GBA18V63 18V 6,3Ah	2	-,-	1	-
853	2 607 225 429	Fast Charger USA 120/10,8-18V, 1h	1	-,-	1	41

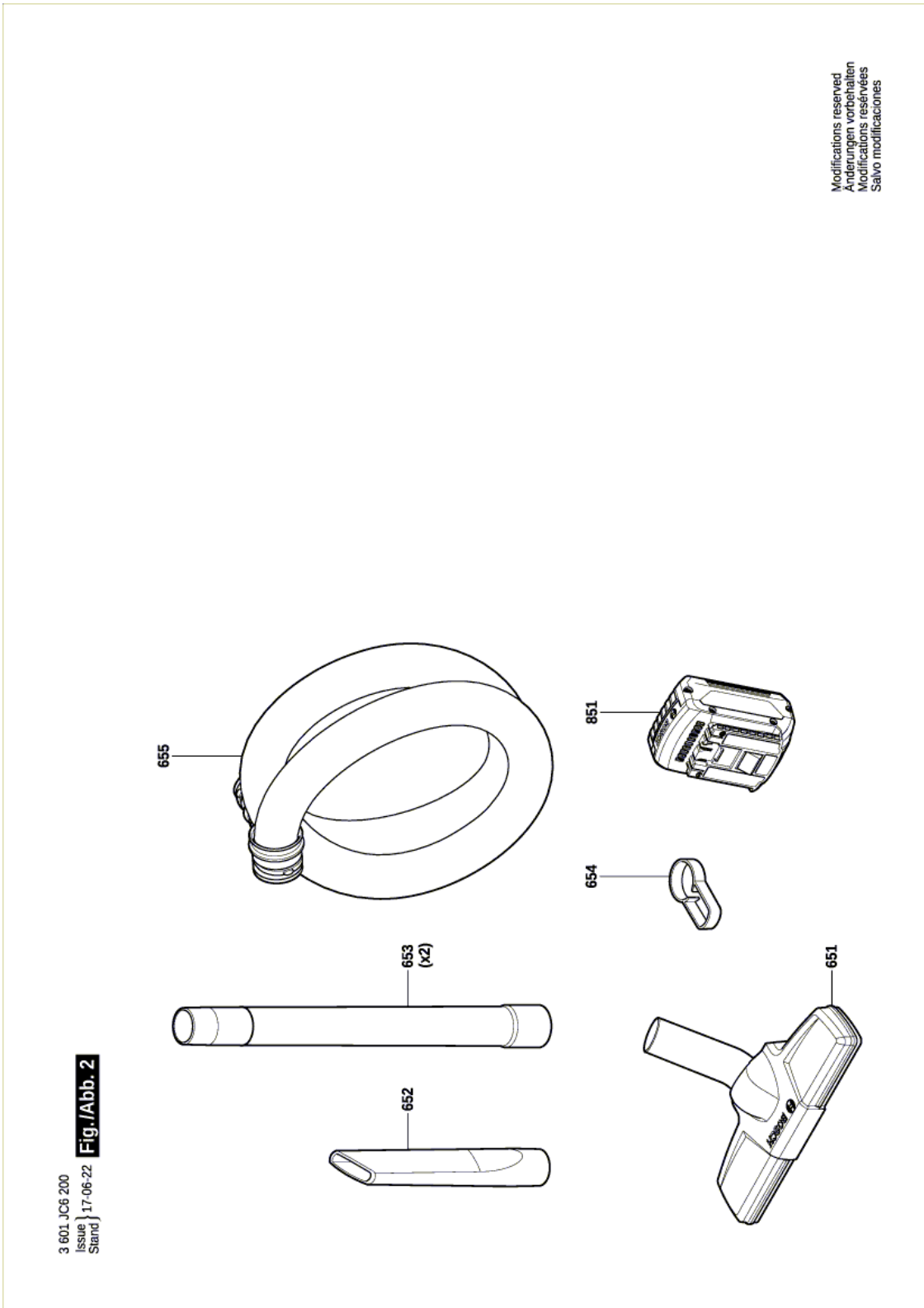
Illustration - Type E



3 601 JC6 200
Issue 18.07.02
Stand
Fig./Abb. 1

Modifications reserved
Änderungen vorbehalten
Modifications réservées
Salvo modificaciones

Illustration - Type E



Information subject to change without further notice.