



**BOSCH**

# Rotary Hammer

GAH 500 DSR | 0 611 221 743

---

## Table of Content

Spare parts list.....	2
Illustration - Type.....	5

Spare parts list

Item	Part Number	Description
2	2 604 220 722	Field
4	1 617 200 077	Switch BLACK
5	1 614 460 073	Power supply cord CN 4,15m 2 x 1,0mm H07 RN-F
6	2 600 703 018	Grommet Ø7,3-Ø8,6x76 MM
7	1 611 035 005	Cable Clip
9	1 611 110 628	Manufacturer's nameplate
10	1 611 110 D40	Reference Plate
12	1 617 328 026	Suppression Filter
13	1 610 900 037	Ball Bearing
16	1 617 000 343	Brush Holder
22	1 616 317 602	Cylindrical Gear Z=50
24	1 617 000 518	Toothed Shaft Z=3/9
25	1 610 121 002	Shim washer
26	1 618 700 062	Hammer Piston
27	1 618 710 057	Striker
28	1 613 124 040	Striker Pin
29	1 613 105 012	Piston Pin
34	1 610 508 008	Protective Cap L=17 MM, SDS-PLUS
35	1 610 206 021	Rubber Ring
37	1 610 390 017	Damping Bushing
38	1 610 102 026	Supporting Disc
41	1 610 101 011	Shim washer 1,2 MM THICK
42	1 610 202 015	Plain bearing
43	1 611 098 005	Tab Washer
44	1 615 820 092	Switching Element
45	1 614 651 014	Switch Spring
46	1 614 690 002	Driver Pin
48	1 611 016 003	Holding Plate
49	1 612 026 035	Switch Button RED
60	1 610 910 073	Needle-Roller Bearing
61	1 610 910 098	Needle bearing
62	1 610 910 074	Needle bearing
63	1 610 910 064	Needle bearing
64	1 610 913 010	Needle-Roller Assembly

Spare parts list

Item	Part Number	Description
65	1 610 591 016	Plain bearing
67	1 610 905 016	groove ball bearing
70	1 610 283 019	Shaft Seal
71	1 610 290 029	Scraper
72	1 610 210 068	O-Ring 24,0x2,5 MM
73	1 610 210 187	O-Ring
74	1 610 210 104	O-Ring 11,0x3,5 MM
75	1 610 210 105	O-Ring 18,0x3,5 MM
76	1 610 210 046	O-Ring 10,5x2,7 MM
77	1 610 210 106	O-Ring 60,0x3,0 MM
80	1 614 634 005	Compression Spring
81	1 614 611 009	Compression Spring
83	1 614 611 006	Compression Spring
85	1 614 601 011	Retaining ring
87	2 916 540 012	Retaining ring DIN 7993-A22
88	1 613 200 007	Roller
89	1 903 230 013	Ball DIN 5401-Ø7MM-III-ST
90	1 613 410 004	Socket head cap screw DIN 84-M5x65-4.8
91	2 603 490 026	Lens Head Screw 4x32
92	2 603 490 023	Torx Oval-Head Screw 4x20
93	2 910 211 005	Tapping Screw DIN 7971-ST2,9x9,5-F
94	2 603 435 015	Cross Recessed-Head Screw DIN 7981-ST3,5x9,5-F
95	2 603 410 001	Socket head cap screw M3x6,5-4.8
96	2 912 401 018	Tapping Screw DIN7981-ST3,9x13-C-Z
100	1 614 448 017	Connecting Cable L=55 MM WHITE
101	2 604 448 137	Connecting Cable L=78 MM WHITE
102	2 604 448 005	Cable L=130 MM WHITE
103	2 604 465 097	Suppression Filter L=126 MM WHITE
104	2 604 465 086	Suppression Filter L=148 MM BLACK
105	1 614 449 011	Earth Conductor
107	1 615 190 042	Blower Casing
108	1 615 190 044	Fan Housing
113	1 611 038 017	Profile Plate
118	2 916 130 027	Sealing disk 609 AV NILOS-RING

**Spare parts list**

Item	Part Number	Description		
119	1 610 210 045	O-Ring	23,0x3,0 MM	
125	2 910 021 168	Socket head cap screw	DIN 84-AM5x35-8.8	
126	1 613 435 005	Rec ct-sunk tapping screw		
130	1 611 110 640	Sticker	BLACK	
131	1 611 015 039	Sealing Frame		
801	1 617 000 477	Motor Housing		
803	1 614 010 796	Armature With Fan	230V	
808	1 601 11A 3H5	Nameplate		
811	1 607 014 117	Carbon Brush		
814	1 610 905 048	groove ball bearing	9x24x7	
819	1 615 806 093	Gear Housing	BLACK	
820	1 617 000 981	Intermediate Flange		
821	1 616 490 061	Ratchet Sleeve	SDS-PLUS	
821/01	1 616 490 060	Ratchet Sleeve	SDS-PLUS	
823	1 616 328 042	Gear Sleeve	Z=26/6	
826	1 617 000 517	Toothed Shaft	Z=3/9	
830	1 615 819 018	Drive bearing		
832	1 612 026 037	Clamp Handle	BLACK	
833	1 617 000 163	Protection Sleeve	SDS-PLUS	
847	1 617 000 348	Guide Ring		
886	1 614 601 024	Retaining ring		
120	2 602 025 070	Auxiliary Handle	Ø43 MM	
121	1 618 040 048	Support clamp	Ø43 MM	
122	1 613 490 002	T-Head Bolt	M8x40 MM	
123	1 611 316 006	Clamping Band	Ø43 MM	
812	1 607 328 040	Suppression Filter		
816	2 604 337 016	Brush Holder		
817	1 615 132 047	Housing Cover	BLUE	
890	2 604 448 145	Connecting Cable	L = 123 MM	WHITE
891	2 604 448 004	Connecting Cable	L=176 MM	WHITE
892	2 604 465 087	Suppression Filter	L= 156 MM	WHITE
893	2 600 034 003	Plate	GREEN	
899	1 617 000 682	Modification Set		

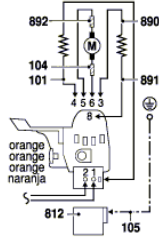
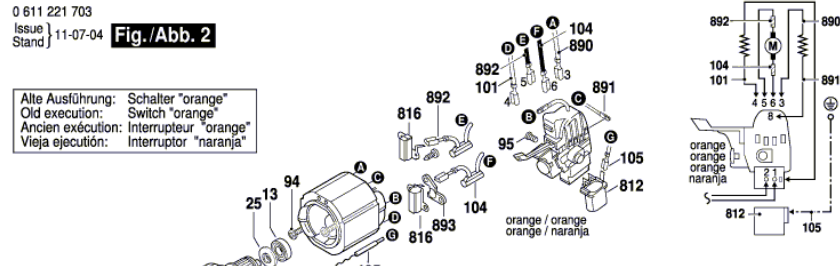


Illustration - Type - E

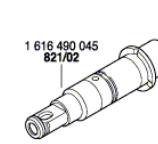
0 611 221 703  
Issue | 11-07-04  
Stand |

Fig./Abb. 2

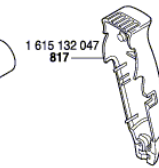
Alte Ausführung: Schalter "orange"  
Old execution: Switch "orange"  
Ancien exécution: Interrupteur "orange"  
Vieja ejecución: Interruptor "naranja"



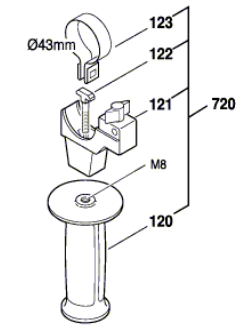
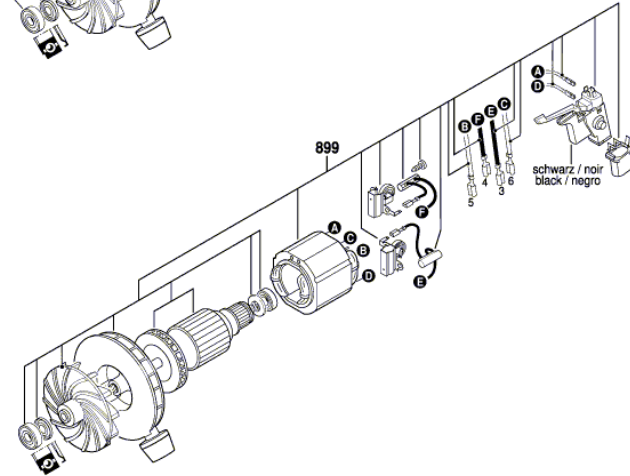
Alte Ausführung  
Old execution  
Ancien exécution  
Vieja ejecución



Alte Ausführung  
Old execution  
Ancien exécution  
Vieja ejecución



Wenn benötigtes Ersatzteil nicht bestellbar ist,  
Umbausatz Pos. 899 "Neue Ausführung" verwenden!  
When individual spare parts are not available,  
use rebuild group pos. 899 "New Version"!



Änderungen vorbehalten  
Modifications reserved  
Modifications réservées  
Salvo modificaciones