

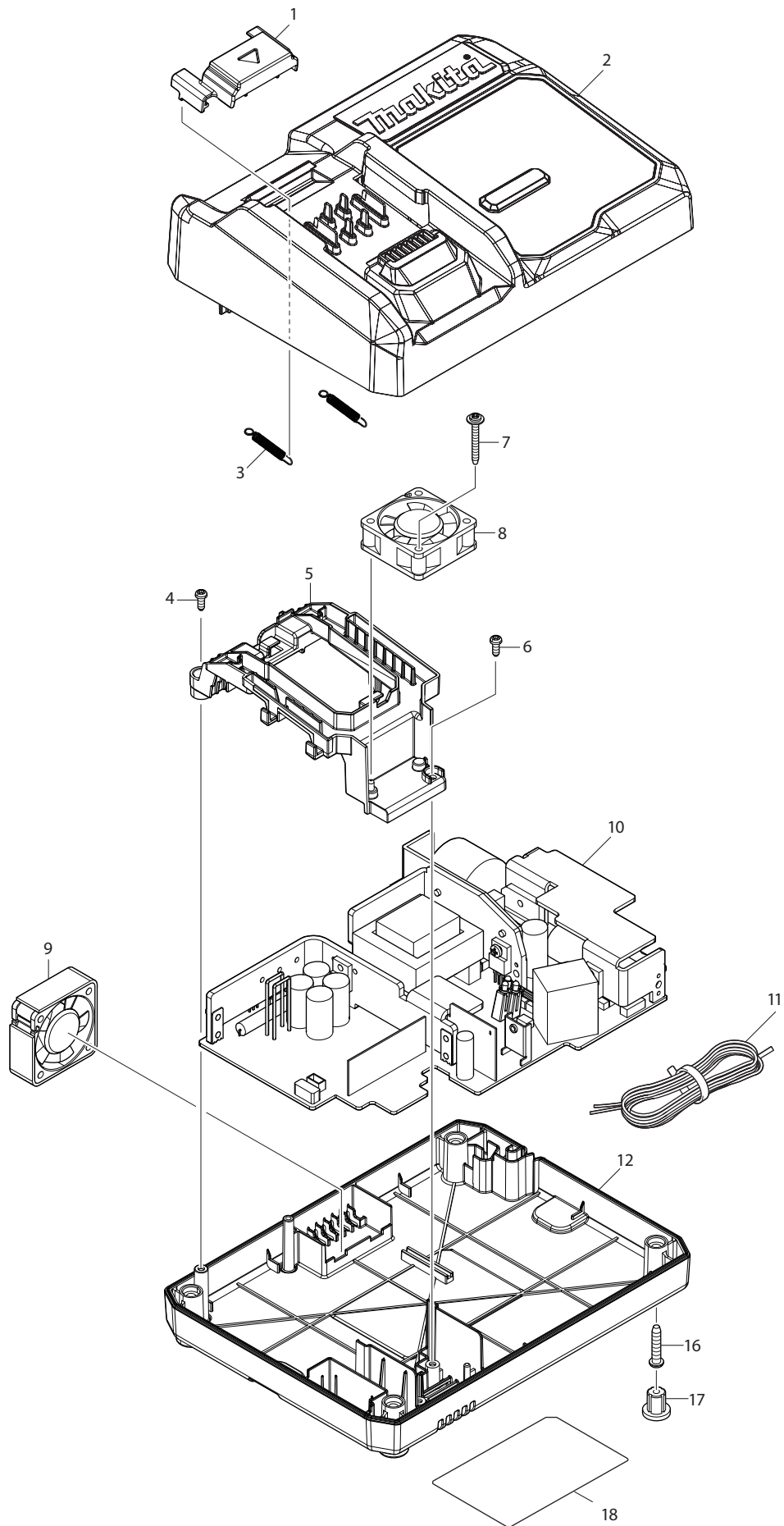
Model GAG10Z Parts List

A = Standard Equipment

O = Circuit Diagram

Item#	Part#	Description	Q'ty	Unit
001	413219-6	PIN CAP	1	PC.
002	233292-8	COMPRESSION SPRING 12	1	PC.
003	136365-5	GEAR HOUSING ASS'Y	1	PC.
	D10	INC. 1,2,4-6,8		
004	263002-9	RUBBER PIN 4	1	PC.
005	213026-5	O RING 7	1	PC.
006	256516-5	SHOULDER PIN 11	1	PC.
007	266173-1	TAPPING SCREW 5X30	4	PC.
008	213510-0	O RING 36	1	PC.
009	264010-3	HEX.NUT M7	1	PC.
010	227564-1	SPIRAL BEVEL GEAR 10A	1	PC.
011	211129-9	BALL BEARING 6201LLU	1	PC.
012	253759-0	FLAT WASHER 12	1	PC.
013	213459-4	O RING 32	1	PC.
014	136363-9	GEAR HOUSING COVER ASS'Y	1	PC.
	D10	INC. 13		
015	519436-7	ROTOR ASS'Y	1	PC.
	D10	INC. 16		
016	211166-3	BALL BEARING 698DDW	1	PC.
017	266326-2	TAPPING SCREW 4X18	2	PC.
018	457618-2	BAFFLE PLATE	1	PC.
019	629A38-8	STATOR	1	PC.
020	140F67-3	MOTOR HOUSING COMPLETE	1	PC.
	C10	813B47-5 CAUTION LABEL	1	PC.
021	457619-0	VIBRATION PROOF RUBBER	1	PC.
022	422656-3	DUST COVER	1	PC.
023	140F99-0	CAP COMPLETE	1	PC.
	C10	213218-6 O RING 16	1	PC.
	C20	818H07-8 CAP LABEL	1	PC.
024	265999-8	TAPPING SCREW 4X25	5	PC.
025	183R97-3	HANDLE SET	1	SET
	C10	263005-3 RUBBER PIN 6	2	PC.
	D10	INC. 33		
026	632P49-4	TERMINAL UNIT	1	PC.
027	413218-8	CONNECTOR CASE	1	PC.
028	858B01-2	GAG10 SERIAL NO. LABEL	1	PC.
029	620E22-0	CONTROLLER	1	PC.
030	234357-9	COMPRESSION SPRING 11	1	PC.
031	651083-9	SWITCH C3XA-1PSPM	1	PC.
032	140X49-3	SWITCH LEVER COMPLETE	1	PC.
033	183R97-3	HANDLE SET	1	SET
	C10	263005-3 RUBBER PIN 6	2	PC.
	D10	INC. 25		
034	8012U4-2	XGT LOGO LABEL	1	PC.
035	211031-6	BALL BEARING 608ZZ	1	PC.
036	233925-5	RING SPRING 13	1	PC.
037	858A94-3	GAG10 NAME PLATE	1	PC.
038	8026G1-7	CLEAR LABEL	1	PC.
039	227562-5	SPIRAL BEVEL GEAR 38	1	PC.

040	911128-8	P.H.SCREW M4X16 WITH WR	3 PC.
041	285851-4	BEARING RETAINER	1 PC.
042	211228-7	BALL BEARING 6202DDW	1 PC.
043	213720-9	O RING 67	1 PC.
044	136364-7	BEARING BOX ASS'Y	1 PC.
	D10	INC. 43	
045	922221-3	HEX. SOCKET HEAD BOLT M5X16	4 PC.
046	962151-6	RETAINING RING R-32	1 PC.
047	326964-3	SPINDLE A	1 PC.
048	310801-1	LEAD FLANGE A	1 PC.
049	141A57-9	TOOLLESS WHEEL COVER230FA COMP	1 PC.
	C10	8026G4-1 CAUTION LABEL	1 PC.
050	224500-8	INNER FLANGE 89	1 PC.
051	224486-6	LOCK NUT 5/8-45	1 PC.
A01	143486-6	GRIP 37 COMPLETE	1 PC.
A02	782412-6	LOCK NUT WRENCH 28	1 PC.
A03	A-96051	GRINDING WHEEL 230X6 1PCS	1 PC.
A08	122913-6	WHEEL COVER 230CK ASSEMBLY	1 PC.
	C10	213017-6 O RING 6	1 PC.
	C20	265198-2 +PAN HEAD SCREW M8X25	1 PC.
A09	224305-6	OUTER FLANGE 78	1 PC.
A10	224589-6	INNER FLANGE 78	1 PC.



Model DC40RA Parts List

A = Standard Equipment

O = Circuit Diagram

Item#	Part#	Description	Q'ty	Unit
001	459475-4	TERMINAL COVER	1	PC.
002	140N46-9	CHARGER CASE COMPLETE	1	PC.
	C10 459476-2	LENS	1	PC.
	C20 819V01-7	CHARGING CONDITION LABEL	1	PC.
003	232565-6	TENSION SPRING 4	2	PC.
004	265B02-7	TAPPING SCREW 3X8	1	PC.
005	459474-6	TERMINAL BASE	1	PC.
006	265B02-7	TAPPING SCREW 3X8	1	PC.
007	265A61-5	TAPPING SCREW FLANGE 3X25	1	PC.
008	632P24-0	FAN 40	1	PC.
009	632P25-8	FAN 40	1	PC.
010	620B41-8	CHARGING CIRCUIT	1	PC.
010	C11 647075-4	VARISTOR	1	PC.
	C20 652089-0	FUSE	1	PC.
011	667982-5	VINYL CORD #18-2-2.0	1	PC.
012	459846-5	CHARGER CASE COVER	1	PC.
016	265B01-9	TAPPING SCREW PT 4X20	4	PC.
017	286255-3	CAP 13	4	PC.
018	857F48-7	DC40RA NAME PLATE	1	PC.
E01	819V02-5	CAUTION LABEL	1	PC.