

1. GENERATOR

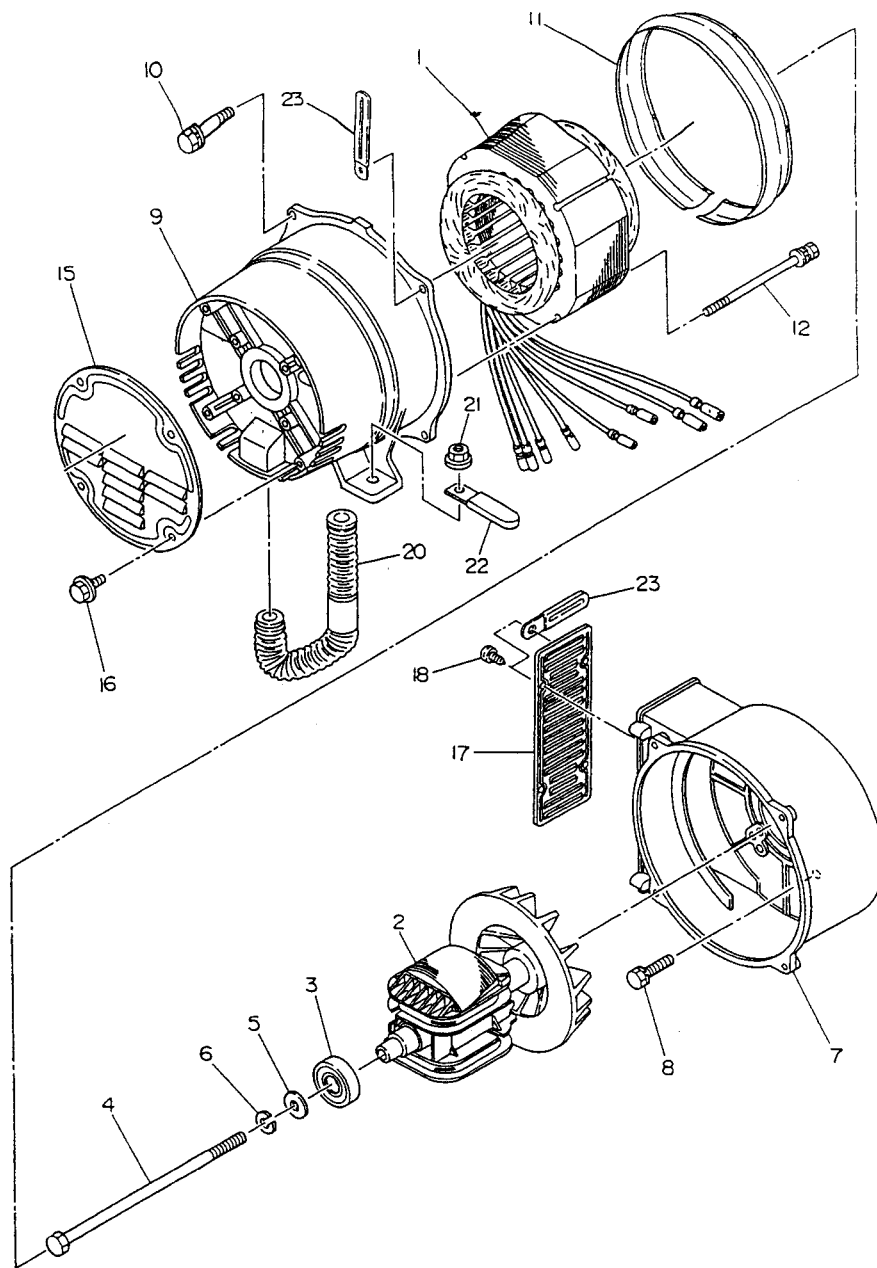


Fig.	Part No.	Qty. Used	Description	Fig.	Part No.	Qty. Used	Description
1	389-01300-01	1	STATOR	10	001-14062-50	4	BOLT & WASHER
	392-21300-01	1	STATOR	11	388-54381-03	1	SUPPORT RING
2	389-01000-01	1	ROTOR (Incl. Fig. 3)	12	392-25200-03	4	BOLT & WASHER M6X95
	392-21000-01	1	ROTOR (Incl. Fig. 3)	15	390-55001-03	1	END COVER
3	353-58208-08	1	B. BEARING		388-55001-13	1	END COVER
4	392-25100-03	1	THROUGH BOLT M10X200	16	011-00600-10	4	FLANGE BOLT
5	003-11100-00	1	WASHER	17	388-55101-03	1	FRONT PROTECTOR
	020-01001-70	1	WASHER	18	015-20500-10	4	TAPPING SCREW
6	003-20100-00	1	SPRING WASHER	20	391-29000-13	1	BUSHING
7	389-54101-13	1	FRONT COVER	21	002-38080-00	2	FLANGE NUT
8	001-13082-00	4	BOLT & WASHER	22	056-60001-70	1	CLAMP
9	388-54001-01	1	REAR COVER	23	056-60002-50	2	CLAMP (G3501R)

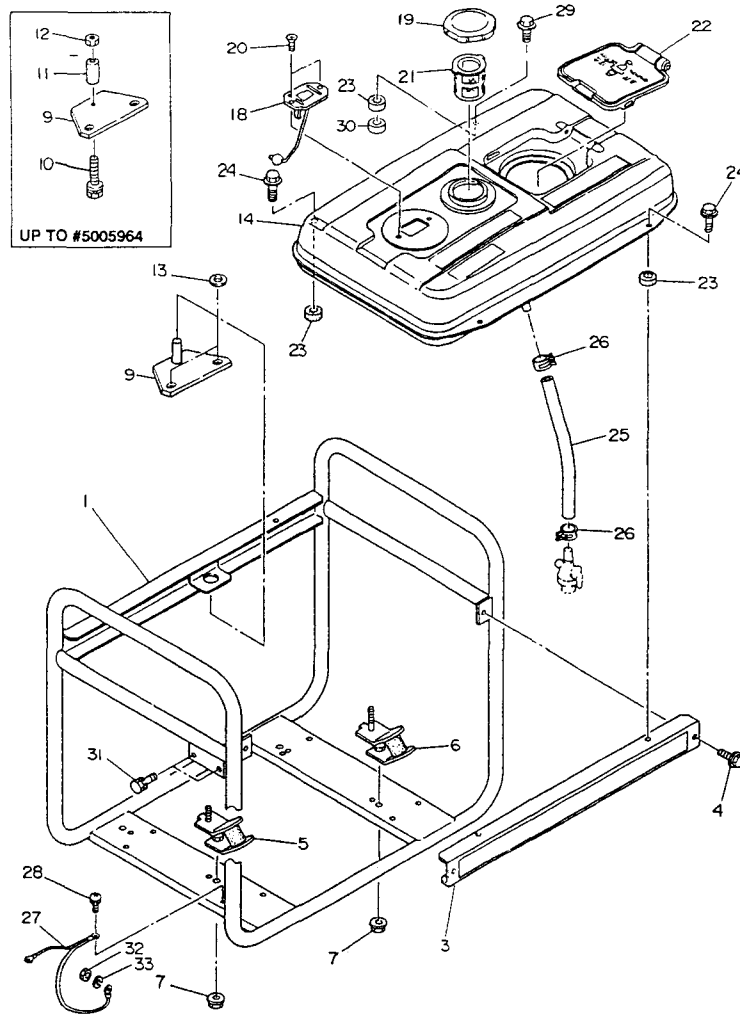


Fig.	Part No.	Qty. Used	Description	Fig.	Part No.	Qty. Used	Description				
1	389-71300-11	1	PIPE FRAME	Aft. #5005087	20	014-50500-40	2	C.H. SCREW			
	389-71300-01	1	PIPE FRAME	Aft. #5004559	21	064-13600-10	1	FUEL FILTER			
	389-71101-01	1	PIPE FRAME		22	227-66101-03	1	PLUG COVER			
	389-71101-00	1	PIPE FRAME		23	391-39000-13	4	RUBBER WASHER (TANK)			
3	389-72000-01	1	SIDE PLATE					(Use Bolt: 011-00602-20)Aft.#5012013			
4	011-00600-80	2	FLANGE BOLT		391-39000-03	4	RUBBER WASHER (Use Bolt:011-00601-80)				
5	377-37000-11	2	RUBBER MOUNT UNIT Gen. side		352-54327-08	4	RUBBER WASHER				
	377-37000-01	2	RUBBER MOUNT UNIT Gen. side	24	011-00602-20	4	FLANGE BOLT	Aft.#5012013			
	352-57041-18	2	RUBBER MOUNT UNIT Gen. side		011-00601-80	4	FLANGE BOLT				
6	377-37001-11	2	RUBBER MOUNT UNIT Engineside		011-00601-80	2	FLANGE BOLT				
	377-37001-01	2	RUBBER MOUNT UNIT Engineside	25	085-11100-00	1	RUBBER PIPE (11.5X17.5X230mm)				
	352-57042-18	2	RUBBER MOUNT UNIT Engineside	26	056-11700-10	2	HOSE CLAMP				
7	002-38080-00	4	FLANGE NUT	27	389-75101-01	1	EARTH CORD				
9	389-54411-11	1	STOPPER PLATE	Aft. #5005965				389-75100-01	1	EARTH CORD	Aft.#5006356
	389-54411-08	1	STOPPER PLATE		388-39001-01	1	EARTH CORD				
10	001-13063-50	1	BOLT & WASHER	Up to #5005964	28	376-39100-01	1	SCREW & WASHER M5x10			
11	389-54398-08	1	SPACER	Up to #5005964	29	011-00601-90	2	FLANGE BOLT	Up to #5004558		
12	002-17060-00	1	NUT	Up to #5005964	30	023-00603-00	2	SPACER	Up to #5004558		
13	003-12060-00	2	WASHER		31	001-14061-60	2	BOLT & WASHER			
14	234-69101-11	1	FUEL TANK		32	002-19040-00	1	NUT	Aft.#5006356		
	234-69101-01	1	FUEL TANK						002-19060-00	1	NUT
18	064-80004-00	1	FUEL GAUGE						391-49002-03	1	NUT
19	043-04300-15	1	FUEL TANK CAP		33	003-20040-00	1	SPRING WASHER			

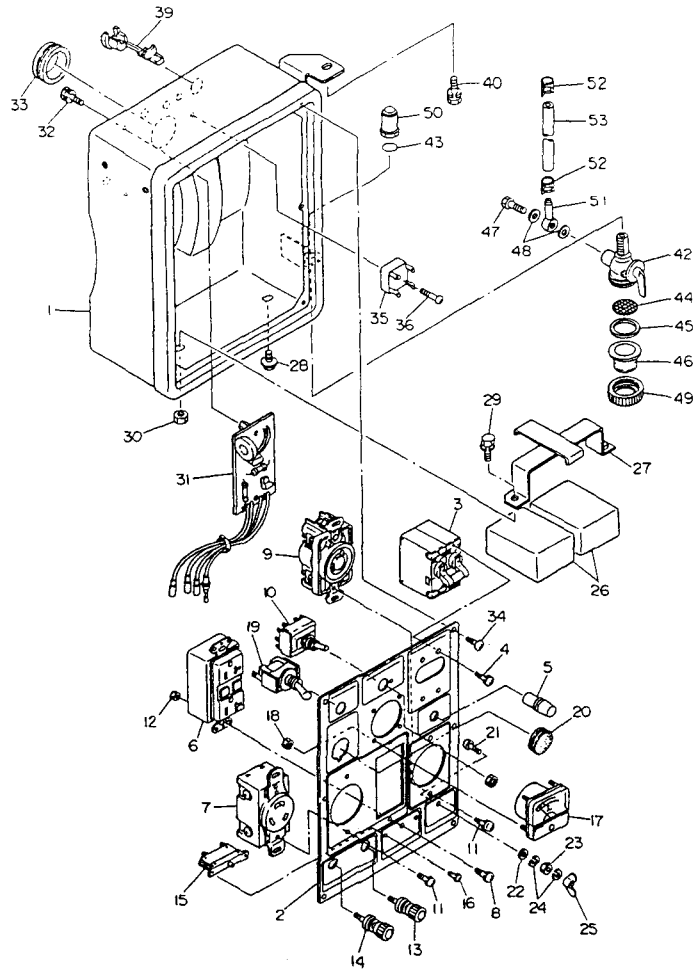


Fig.	Part No.	Qty. Used	Description	Fig.	Part No.	Qty. Used	Description
1	389-80102-00	1	CONTROL BOX ASSY. (Incl. Figs. 1~36)	25	353-49901-08	1	WING NUT
	389-80002-01	1	CONTROL BOX	26	376-22000-03	2	CONDENSER
2	389-81151-00	1	CONTROL PANEL ASSY. (Incl. Figs. 2~25)	27	387-45002-01	1	CONDENSER BRACKET
	389-81051-01	1	CONTROL PANEL	28	011-00600-10	1	FLANGE BOLT
3	392-43002-03	1	CIRCUIT BREAKER (250V-14A)	29	391-49001-03	1	BOLT & WASHER
4	004-35030-60	4	SCREW & WASHER	30	002-27060-00	1	NUT
5	320-75173-08	1	NEON LAMP	31	388-30603-08	1	IDLE CONTROL UNIT
6	390-45750-08	1	AC RECEPTACLE (120V-20A)	32	004-35041-00	2	SCREW & WASHER
7	356-45711-08	1	AC RECEPTACLE (125V-30A)	33	389-89001-03	1	GROMMET
8	004-35041-00	2	SCREW & WASHER	34	353-49904-08	6	TAPPING SCREW
9	353-45724-08	1	AC RECEPTACLE (125/250V-20A)	35	353-45804-08	1	DIODE STACK
10	355-45613-08	1	SWITCH	36	015-00400-70	1	TAPPING SCREW
11	356-59937-08	4	SCREW	39	363-56000-08	1	CORD BUSH
12	002-17040-00	2	NUT	40	001-14061-60	1	BOLT & WASHER
13	363-45701-08	1	TERMINAL BOLT (RED)	42	064-20023-11	1	FUEL STRAINER (Incl. Fig. 42 ~ 49)
14	363-45700-08	1	TERMINAL BOLT (BLACK)	43	064-20003-30	1	O RING
15	352-45620-08	1	CIRCUIT BREAKER (10A)	44	064-20002-20	1	FILTER
16	004-35030-60	2	SCREW & WASHER	45	064-20002-30	1	PACKING
17	391-47900-01	1	AC VOLT METER	46	064-20019-10	1	CUP
18	002-17030-00	2	NUT	47	064-20002-40	1	BANJO BOLT
19	344-45615-08	1	SWITCH	48	064-20002-50	2	FIBER PACKING
20	389-47552-08	1	GROMMET	49	064-20024-10	1	LOCK NUT
21	356-49907-08	1	SCREW	50	053-30900-20	1	NUT (JOINT)
22	353-49903-08	1	WASHER	51	052-10700-42	1	BANJO
23	353-49902-08	1	NUT	52	056-11100-20	2	HOSE CLAMP
24	332-00050-08	2	SPRING WASHER	53	085-10600-00	1	RUBBER PIPE (6X12X190mm)

3-2. CONTROL BOX

G3500R: From #5005665 to #5019283

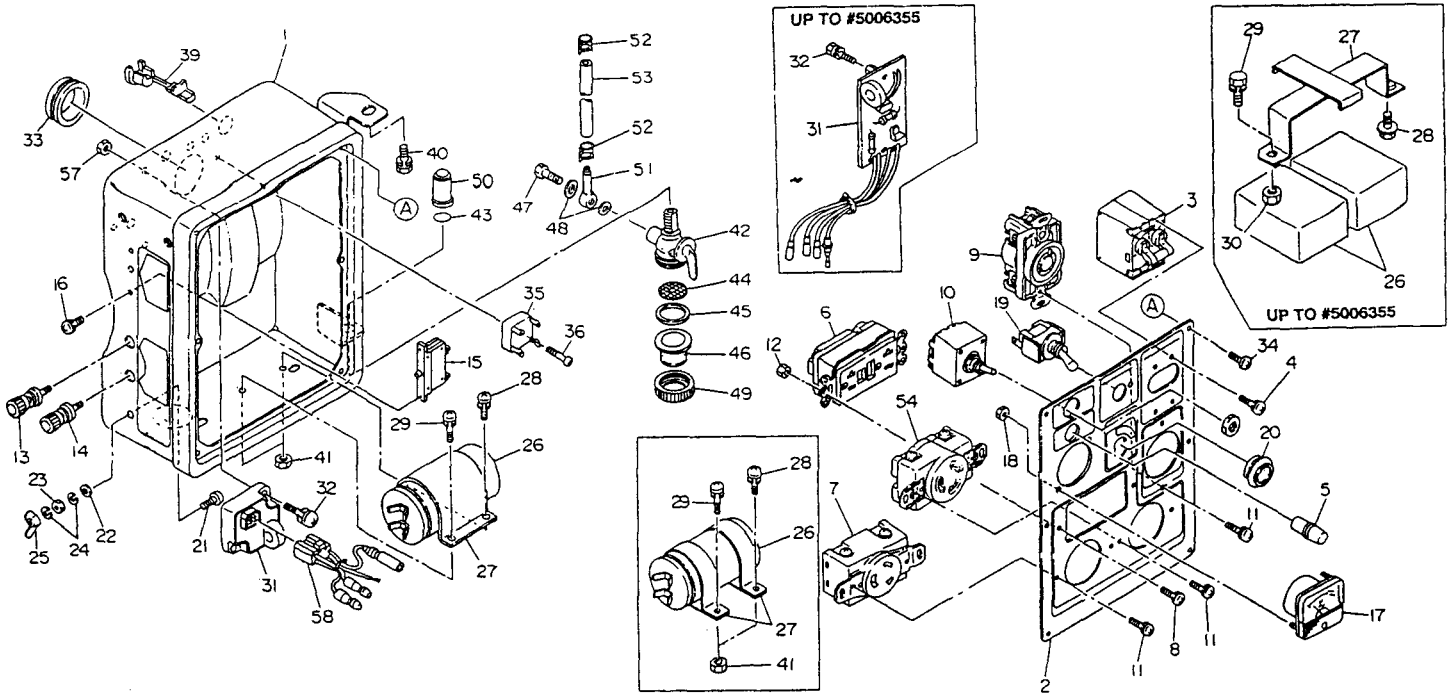


Fig.	Part No.	Qty. Used	Description	Fig.	Part No.	Qty. Used	Description
1	389-80102-20	1	CONTROL BOX ASSY. (Incl. Figs. 1 ~ 36 & 54 ~ 58) Aft. #5006359	24	332-00050-08	2	SPRING WASHER
	389-80102-10	1	CONTROL BOX ASSY. (Incl. Figs. 1 ~ 36 & 54)	25	353-49901-08	1	WING NUT M5
	389-80003-11	1	CONTROL BOX	26	389-05000-01	1	CONDENSER (300VAC-21F) Aft. #5006356
	389-80003-01	1	CONTROL BOX		376-22000-03	2	CONDENSER
2	389-81151-20	1	CONTROL PANEL ASSY. (Incl. Figs. 2~12, 17~20 & 54) Aft. #5006356	27	388-86001-01	1	CONDENSER BRACKET
	389-81151-10	1	CONTROL PANEL ASSY. (Incl. Figs. 2~12, 17~20 & 54)		380-47531-08	2	CONDENSER BRACKET Aft. #5006356
	389-81051-21	1	CONTROL PANEL Aft. #5012013		387-45002-01	1	CONDENSER BRACKET
	389-81051-11	1	CONTROL PANEL	28	004-35041-00	2	SCREW & WASHER Aft. #5006356
3	392-43002-03	1	CIRCUIT BREAKER (250V-14A)		011-00600-10	1	FLANGE BOLT
4	004-35030-60	4	SCREW & WASHER	29	389-59989-08	1	SCREW & WASHER M4x16 Aft. #5006356
5	320-75173-08	1	NEON LAMP		391-49001-03	1	BOLT & WASHER
6	388-85001-01	1	AC RECEPTACLE (125V-20A)	30	002-27060-00	1	NUT Up to #5006356
	390-45750-08	1	AC RECEPTACLE (120V-20A)	31	KU3-11015-01	1	IDLE CONTROL UNIT
7	356-45711-08	1	AC RECEPTACLE (125V-30A)		KU3-11010-01	1	IDLE CONTROL UNIT Aft. #5006356
8	004-35041-00	2	SCREW & WASHER		388-30603-08	1	IDLE CONTROL UNIT
9	353-45724-08	1	AC RECEPTACLE (125/250V-20A)	32	004-35062-00	2	SCREW & WASHER Aft. #5006356
10	355-45613-11	1	SWITCH (9P)		004-35041-00	2	SCREW & WASHER
	355-45613-08	1	SWITCH	33	389-89001-03	1	GROMMET
11	356-59937-08	6	SCREW	34	353-49904-08	6	TAPPING SCREW M4x10
12	002-17040-00	2	NUT	35	353-45804-08	1	DIODE STACK
13	363-45701-08	1	TERMINAL BOLT: RED	36	015-00400-70	1	TAPPING SCREW
14	363-45700-08	1	TERMINAL BOLT: BLACK	39	363-56000-08	1	CORD BUSH
15	352-45620-08	1	CIRCUIT BREAKER (10A)	40	001-14061-60	1	BOLT & WASHER
16	004-35030-60	2	SCREW & WASHER	41	002-17040-00	2	NUT Aft. #5006356
17	391-47900-11	1	AC VOLT METER (200V CLASS)	42	064-20023-11	1	FUEL STRAINER (Incl. Figs. 42~49)
	391-47900-01	1	AC VOLT METER (MAX 300V)	43	064-20003-30	1	O RING
18	002-17030-00	2	NUT	44	064-20002-20	1	FILTER
19	344-45615-08	1	SWITCH (IDLE)	45	064-20002-30	1	PACKING
20	389-47552-08	1	GROMMET	46	064-20019-10	1	CUP
21	356-49907-08	1	SCREW M5x14	47	064-20002-40	1	BANJO BOLT
22	353-49903-08	1	WASHER	48	064-20002-50	2	FIBER PACKING
23	353-49902-08	1	NUT M5	49	064-20024-10	1	LOCK NUT
				50	053-30900-20	1	NUT (JOINT)
				51	052-10700-42	1	BANJO
				52	056-11100-20	2	HOSE CLAMP
				53	085-10600-00	1	RUBBER PIPE (6X12X190mm)
				54	389-85001-01	1	AC RECEPTACLE (125V-20A)
				57	002-17060-00	2	NUT Aft. #5014050
				58	389-35001-01	1	WIRE, IDLE CTRL. Aft. #5012013

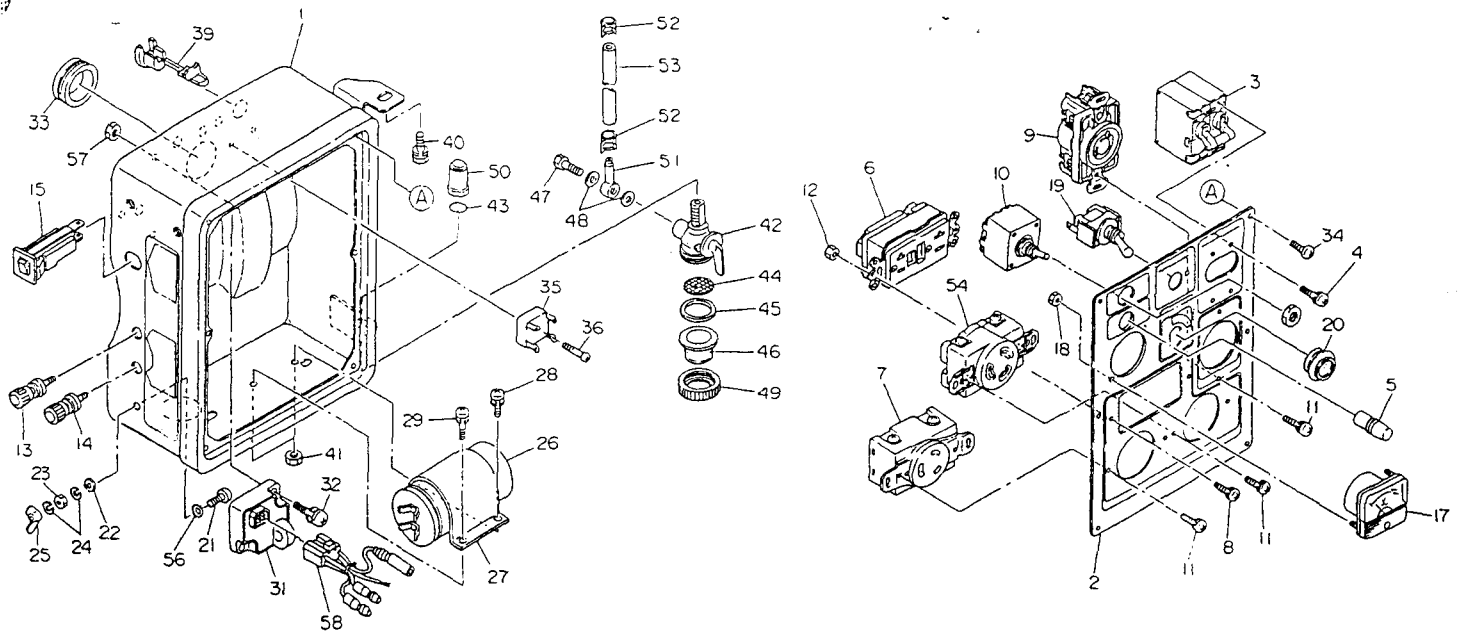


Fig.	Part No.	Qty. Used	Description	Fig.	Part No.	Qty. Used	Description
1	389-80102-30	1	CONTROL BOX ASSY. (Incl. Figs. 1~36 & 54~58)	27	388-86001-01	1	CONDENSER BRACKET
	389-80003-21	1	CONTROL BOX	28	004-35041-00	2	SCREW & WASHER
2	389-81151-30	1	CONTROL PANEL ASSY. (Incl. Figs. 2~12, 17~20 & 54)	29	389-59989-08	1	BOLT & WASHER M4x16
	389-81051-31	1	CONTROL PANEL	31	KU3-11015-01	1	IDLE CONTROL UNIT
3	389-87001-01	1	CIRCUIT BREAKER (250V-14A)	32	004-35062-00	2	SCREW & WASHER
4	004-35030-60	4	SCREW & WASHER	33	389-89001-03	1	GROMMET
5	320-75173-08	1	NEON LAMP	34	353-49904-08	6	TAPPING SCREW M4x10
6	388-85001-01	1	AC RECEPTACLE (125V-20A)	35	353-45804-08	1	DIODE STACK
7	356-45711-08	1	AC RECEPTACLE (125V-30A)	36	015-00400-70	1	TAPPING SCREW
8	004-35041-00	2	SCREW & WASHER	39	363-56000-08	1	CORD BUSH
9	353-45724-08	1	AC RECEPTACLE (125/250V-20A)	40	001-14061-60	1	BOLT & WASHER
10	389-85501-01	1	SWITCH (9P)	41	002-17040-00	2	NUT
11	356-59937-08	6	SCREW	42	064-20023-11	1	FUEL STRAINER (Incl. Figs. 42~49)
12	002-17040-00	2	NUT	43	064-20003-30	1	O RING
13	363-45701-08	1	TERMINAL BOLT (RED)	44	064-20002-20	1	FILTER
14	363-45700-08	1	TERMINAL BOLT (BLACK)	45	064-20002-30	1	PACKING
15	388-87002-01	1	CIRCUIT BREAKER (10A)	46	064-20019-10	1	CUP
17	391-47900-11	1	AC VOLT METER (200V CLASS)	47	064-20002-40	1	BANJO BOLT
18	002-17030-00	2	NUT	48	064-20002-50	2	FIBER PACKING
19	344-45615-08	1	SWITCH, IDLE	49	064-20024-10	1	LOCK NUT
20	389-47552-08	1	GROMMET	50	053-30900-20	1	NUT (JOINT)
21	356-49907-08	1	SCREW M5x14	51	052-10700-42	1	BANJO
22	353-49903-08	1	WASHER	52	056-11100-20	2	HOSE CLAMP
23	353-49902-08	1	NUT M5	53	085-10600-00	1	RUBBER PIPE (6X12X190mm)
24	332-00050-08	2	SPRING WASHER	54	389-85001-01	1	AC RECEPTACLE (125V-20A)
25	353-49901-08	1	WING NUT M5	56	003-30050-00	1	LOCK WASHER
26	389-05000-01	1	CONDENSER (300VAC-21F)	57	002-17060-00	2	NUT
				58	389-35001-01	1	WIRE, IDLE CONTROL

4. CRANKCASE AND CYLINDER HEAD

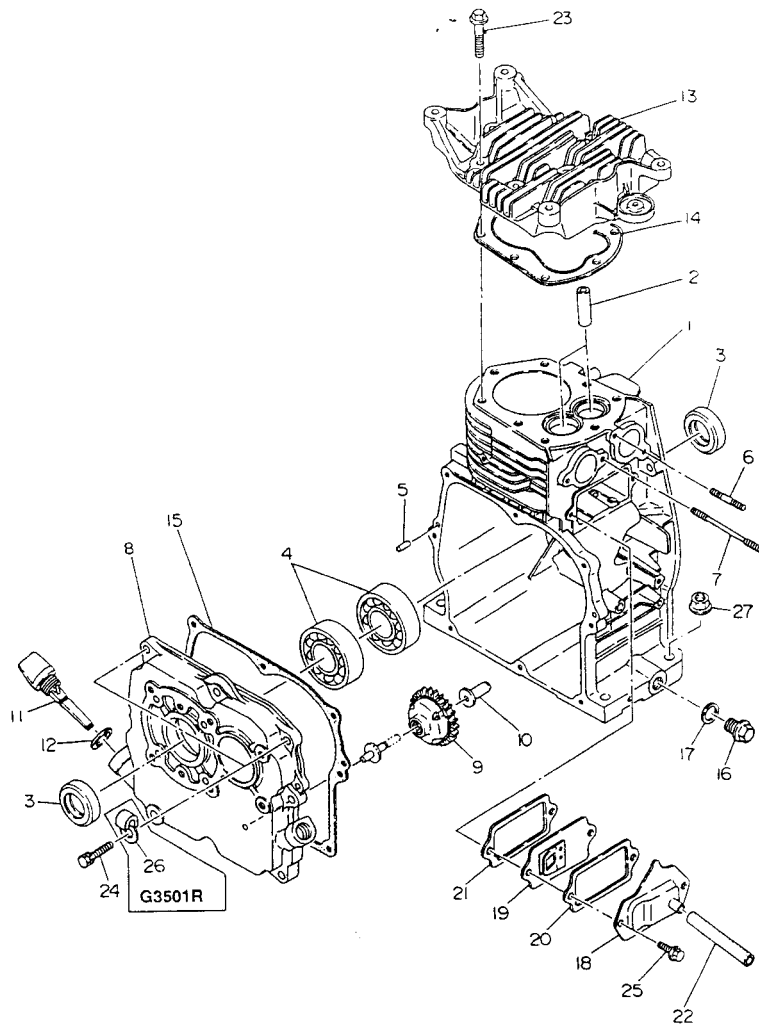


Fig.	Part No.	Qty. Used	Description	Fig.	Part No.	Qty. Used	Description
1	234-10101-31	1	CRANKCASE (Incl. Figs. 2~7)	12	021-31600-20	1	GASKET
	234-10101-21	1	CRANKCASE (Incl. Figs. 2~7)		021-31600-10	1	GASKET
	234-10102-31	1	CRANKCASE (Incl. Figs. 2~7)	13	234-13102-03	1	CYLINDER HEAD
	234-10102-21	1	CRANKCASE (Incl. Figs. 2~7)	14	234-15001-01	1	HEAD GASKET
2	227-14202-03	2	VALVE GUIDE, Oversize	15	234-16001-03	1	GASKET, BEARING COVER
3	044-03000-30	2	OIL SEAL	16	040-11400-30	2	PLUG
4	060-03000-20	2	BALL BEARING	17	021-11400-20	2	GASKET
5	031-00600-20	2	DOWEL PIN	18	234-14302-11	1	TAPPET COVER
6	010-50802-90	2	STUD, MUFFLER	19	234-14401-01	1	BREATHER PLATE
7	010-50601-91	2	STUD, CARBURETOR	20	234-16006-03	1	TAPPET COVER GASKET
8	234-11001-01	1	MAIN BEARING COVER (Incl. Figs. 3 & 4)	21	234-16007-03	1	GASKET, BREATHER PLATE
9	234-45001-01	1	GOVERNOR GEAR	22	085-10800-00	1	RUBBER PIPE (8x11x75mm)
10	205-41901-03	1	GOVERNOR SLEEVE	23	011-00800-10	8	FLANGE BOLT
11	227-63601-03	1	OIL GAUGE	24	001-14082-80	8	BOLT & WASHER
				25	011-00600-20	2	FLANGE BOLT
				26	056-60001-70	2	CLAMP
				27	002-38080-00	2	FLANGE NUT
				*	234-99001-07	1	GASKET SET (Incl. Figs. 12, 14, 15, 20, 21 & Section 6 Figs. 10, 17, 19 & 20)

5. CRANKSHAFT AND PISTON

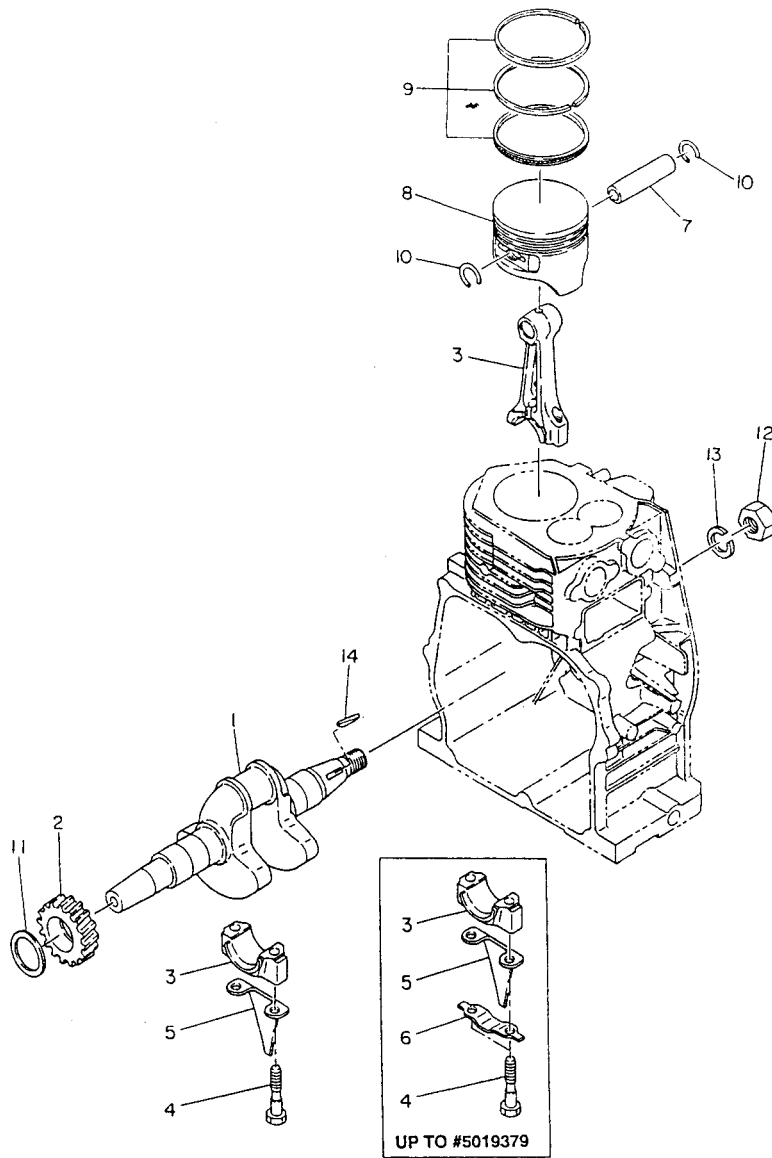


Fig.	Part No.	Qty. Used	Description	Fig.	Part No.	Qty. Used	Description
1	234-20701-11	1	CRANKSHAFT (Incl. Fig. 2)	8	234-23401-03	1	PISTON STD
	234-20701-01	1	CRANKSHAFT (Incl. Fig. 2)		234-23402-03	1	PISTON Oversize (.25mm)
3	234-22501-10	1	CONNECTING ROD ASSY. (Incl. Figs. 4 & 5) Aft. #5019380		234-23403-03	1	PISTON Oversize (.50mm)
	234-22501-00	1	CONNECTING ROD ASSY. (Incl. Figs. 4~6)	9	234-23501-07	1	PISTON RING SET STD
4	227-23001-13	2	CONNECTING ROD BOLT Aft. #5019380		234-23502-07	1	PISTON RING SET Oversize (.25mm)
	234-23001-03	2	CONNECTING ROD BOLT		234-23503-07	1	PISTON RING SET Oversize (.50mm)
5	234-23101-03	1	OIL SCRAPER	10	056-51600-10	2	CLIP
6	234-23201-03	1	ROD LOCK WASHER Upto#5019379	11	023-03001-70	1	SPACER (t=0.6)
7	234-23301-03	1	PISTON PIN		023-03001-80	1	SPACER (t=0.8)
					023-03001-90	1	SPACER (t=1.0)
				12	002-18180-00	1	NUT, FLYWHEEL (18mm)
				13	003-20180-00	1	SPRING WASHER, FLYWHEEL
				14	032-30300-10	1	WOODRUFF KEY, FLYWHEEL

6. INTAKE AND EXHAUST

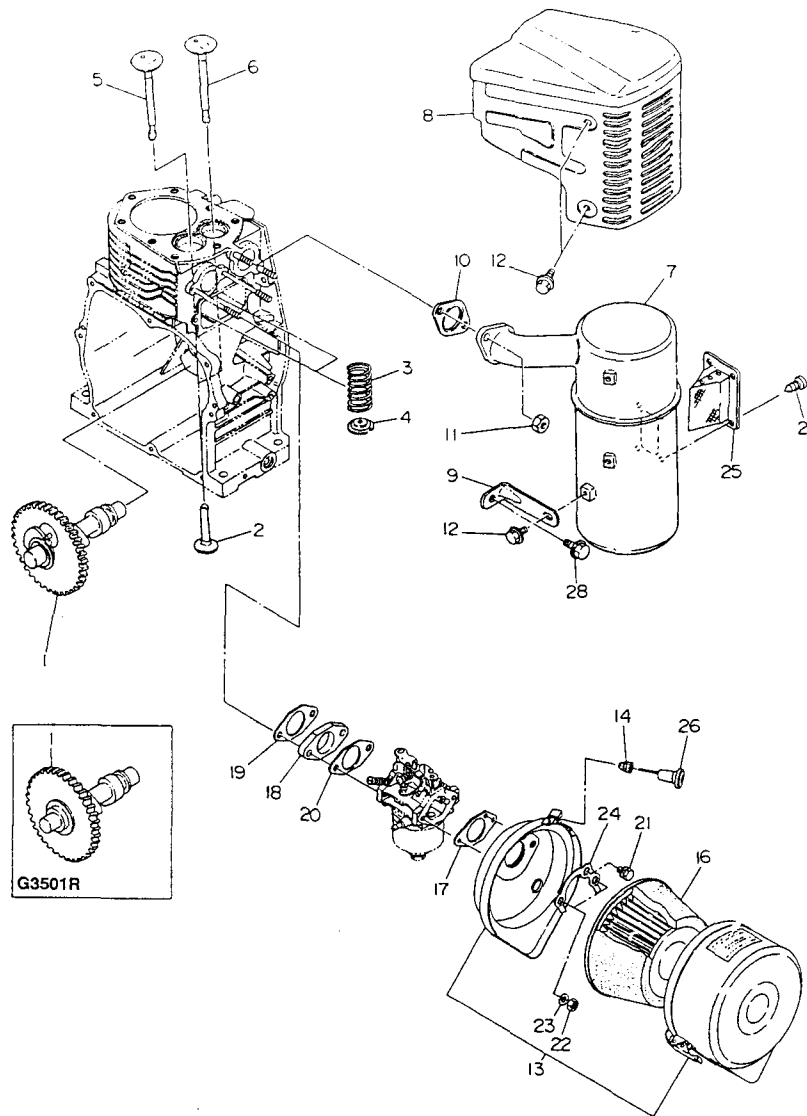


Fig.	Part No.	Qty. Used	Description	Fig.	Part No.	Qty. Used	Description
1	234-31901-00	1	CAMSHAFT	16	234-32604-07	1	CLEANER ELEMENT SET
	234-31701-03	1	CAMSHAFT	17	234-36003-08	1	AIR CLEANER GASKET
2	234-33301-03	2	TAPPET	18	234-32901-03	1	INSULATOR
3	227-33601-03	2	VALVE SPRING	19	234-35901-03	1	INSULATOR GASKET
4	234-33701-03	2	SPRING RETAINER	20	234-35902-03	1	INSULATOR GASKET 2
5	234-33401-03	1	INTAKE VALVE	21	001-10061-60	1	BOLT & WASHER
6	234-33501-03	1	EXHAUST VALVE		001-10061-20	1	BOLT & WASHER
7	234-30310-01	1	MUFFLER	22	002-17060-00	2	NUT
8	234-34201-01	1	MUFFLER COVER	23	003-20060-00	2	SPRING WASHER
9	234-35301-01	1	MUFFLER BRACKET	24	234-36501-01	1	LOCK WASHER
10	234-35202-01	1	EXHAUST GASKET	25	234-36601-01	1	SPARK ARRESTER
11	002-19080-00	2	NUT	26	206-43901-01	1	KNOB
12	011-00600-10	5	FLANGE BOLT	27	015-00400-40	4	TAPPING SCREW
13	234-32603-00	1	AIR CLEANER ASSY. (Incl. Figs. 14~17)	28	011-00600-20	1	FLANGE BOLT
14	207-32690-08	1	GROMMET				

7. GOVERNOR, OPERATE

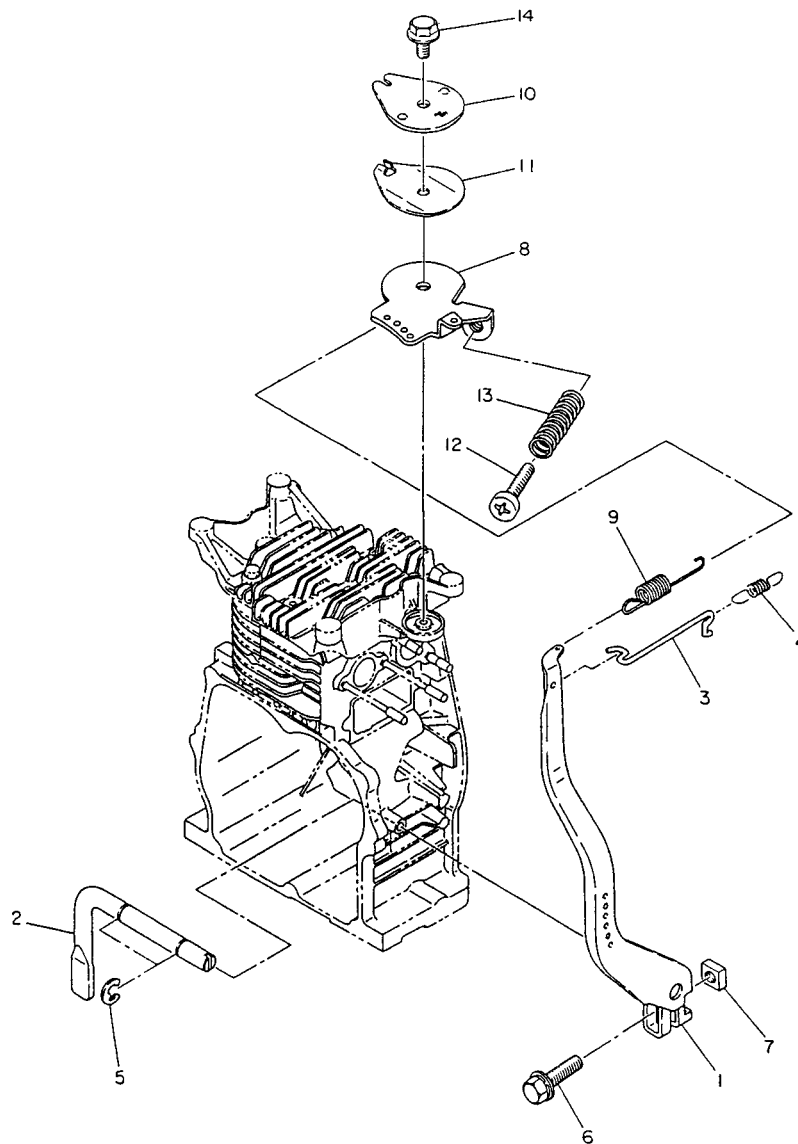


Fig.	Part No.	Qty. Used	Description	Fig.	Part No.	Qty. Used	Description
*	234-42301-07	1	GOVERNOR LEVER & SHAFT KIT (Incl. Figs. 1, 2, & 5~7)	7	018-60600-20	1	NUT
*	234-42501-07	1	GOVERNOR ROD & SPRING KIT (Incl. Figs. 3, 4 & 9)	8	234-43310-01	1	SPEED CONTROL
1	234-42301-01	1	GOVERNOR LEVER	9	234-42501-13	1	GOVERNOR SPRING
2	234-42201-03	1	GOVERNOR SHAFT	10	227-43501-13	1	STOP PLATE
3	234-42701-01	1	GOVERNOR ROD	11	227-45002-03	1	STOP PLATE
4	234-42801-13	1	ROD SPRING	12	227-45002-03	1	SPRING WASHER
5	003-13060-00	2	CLIP	13	004-31065-50	1	P.H. SCREW
6	001-14062-50	1	BOLT & WASHER	14	220-48001-13	1	CONTROL SPRING
					220-48001-01	1	CONTROL SPRING
					011-00600-30	1	FLANGE BOLT

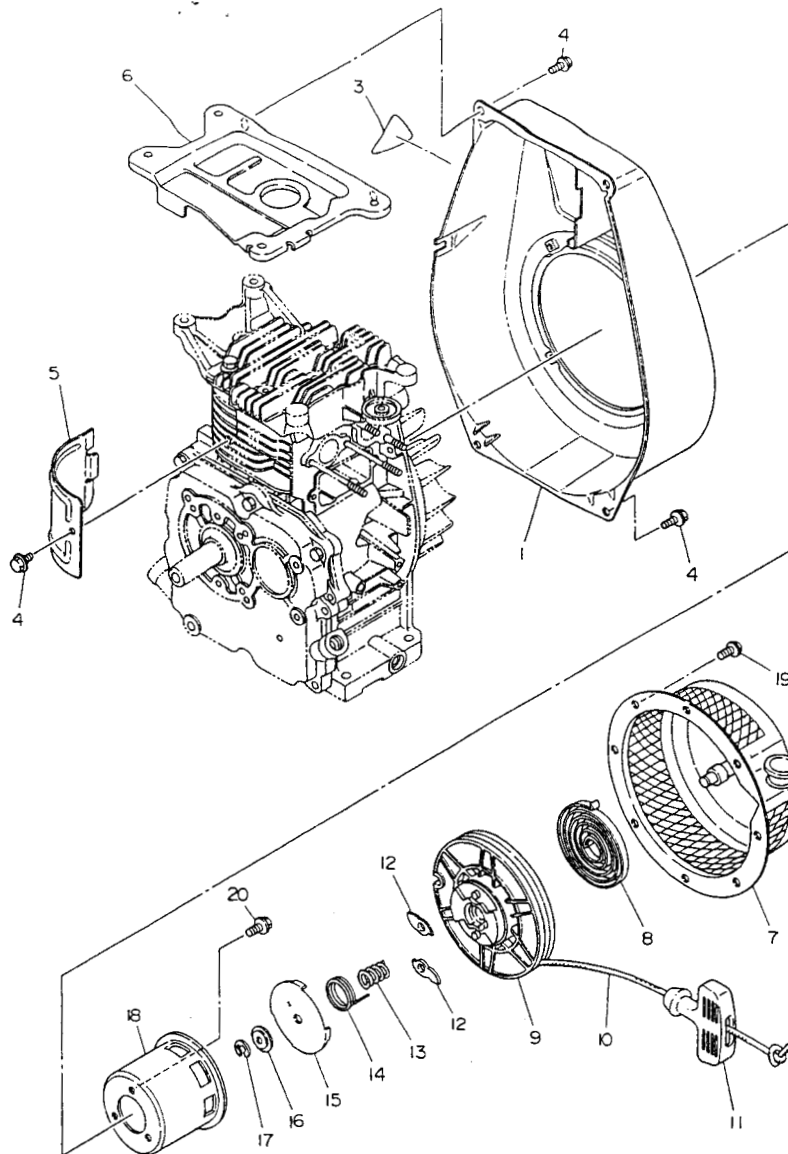


Fig.	Part No.	Qty. Used	Description	Fig.	Part No.	Qty. Used	Description
*	232-50111-07	1	HARDWARE KIT (Incl.Figs.12~17) G3500R	11	206-50101-08	1	HANDLE
1	234-51565-06	1	BLOWER HOUSING G3500R	12	106-50128-18	2	RATCHET
	234-51419-06	1	BLOWER HOUSING G3501R	13	106-50132-08	1	FRICTION SPRING
3	073-20035-50	1	LABEL, STOP SWITCH G3500R	14	106-50136-18	1	RETURN SPRING
4	011-00600-20	10	FLANGE BOLT	15	106-50144-08	1	FRICTION PLATE
5	234-52601-03	1	CYLINDER BAFFLE	16	106-50185-08	1	THRUST WASHER
6	234-52801-13	1	HEAD COVER	17	106-50186-08	1	CLIP
7	234-50211-00	1	RECOIL STARTER ASSY (Incl. Figs. 8~18)	18	234-50145-08	1	STARTING PULLEY
8	106-50116-08	1	SPIRAL SPRING	19	011-00600-10	4	FLANGE BOLT
9	207-50122-18	1	REEL	20	011-00600-20	3	FLANGE BOLT
10	106-50113-08	1	ROPE				

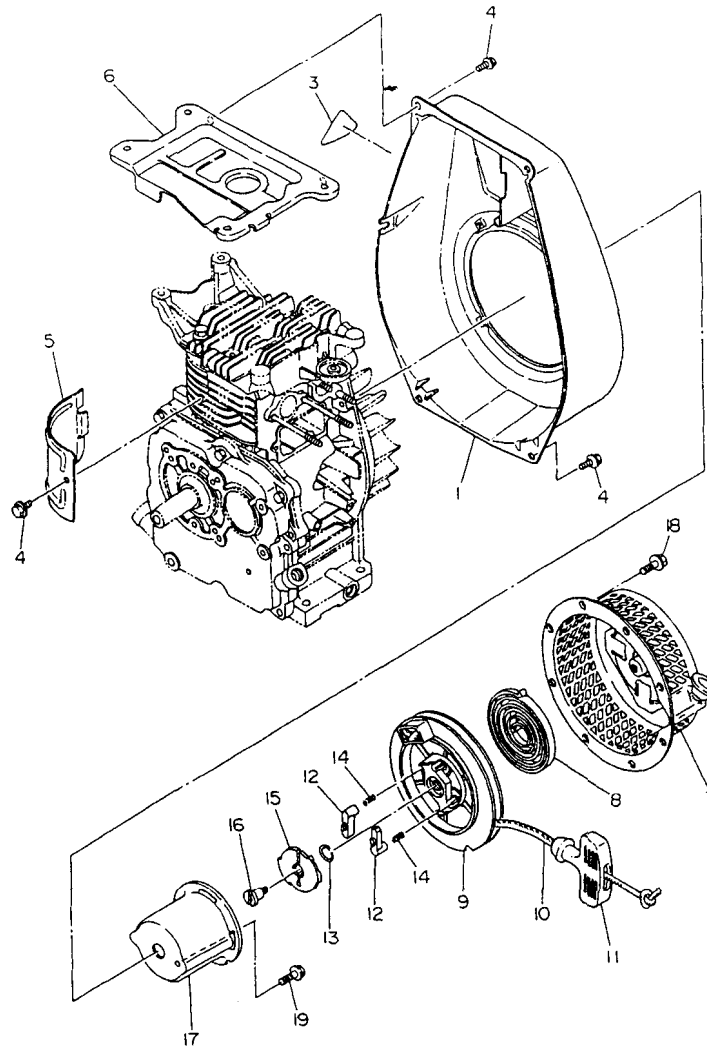


Fig.	Part No.	Qty. Used	Description	Fig.	Part No.	Qty. Used	Description
•	232-50112-07	1	HARDWARE KIT G3500R (Incl. Figs. 8, 12, 13 & 16) Aft. #5012013	9	234-50120-18	1	REEL Aft. #5012013
•	232-50111-07	1	HARDWARE KIT G3500R (Incl. Figs. 8, 12, 13 & 16)	10	234-50111-08	1	ROPE Aft. #5012013
1	234-51565-06	1	BLOWER HOUSING G3500R	11	206-50101-08	1	HANDLE
	234-51419-06	1	BLOWER HOUSING G3501R	12	161-50125-08	2	RATCHET
3	073-20035-50	1	STOP SWITCH LABEL G3500R	13	227-50131-08	1	FRICTION SPRING
4	011-00600-20	10	FLANGE BOLT	14	227-50135-08	2	RETURN SPRING
5	234-52601-03	1	CYLINDER BAFFLE	15	161-50150-08	1	RATCHET GUIDE
6	234-52801-13	1	HEAD COVER	16	227-50152-08	1	SET SCREW
7	234-50221-10	1	RECOIL STARTER ASSY. (Incl. Figs. 8~17) Aft. #5012013	17	234-50146-18	1	STARTING PULLEY Aft. #5012013
	234-50221-00	1	RECOIL STARTER ASSY. (Incl. Figs. 8~17)		234-50146-08	1	STARTING PULLEY
8	253-50115-08	1	SPIRAL SPRING Aft. #5012013	18	011-00600-10	4	FLANGE BOLT
	215-50515-08	1	SPIRAL SPRING	19	011-00600-30	1	FLANGE BOLT

9. CARBURETOR AND SOLENOID

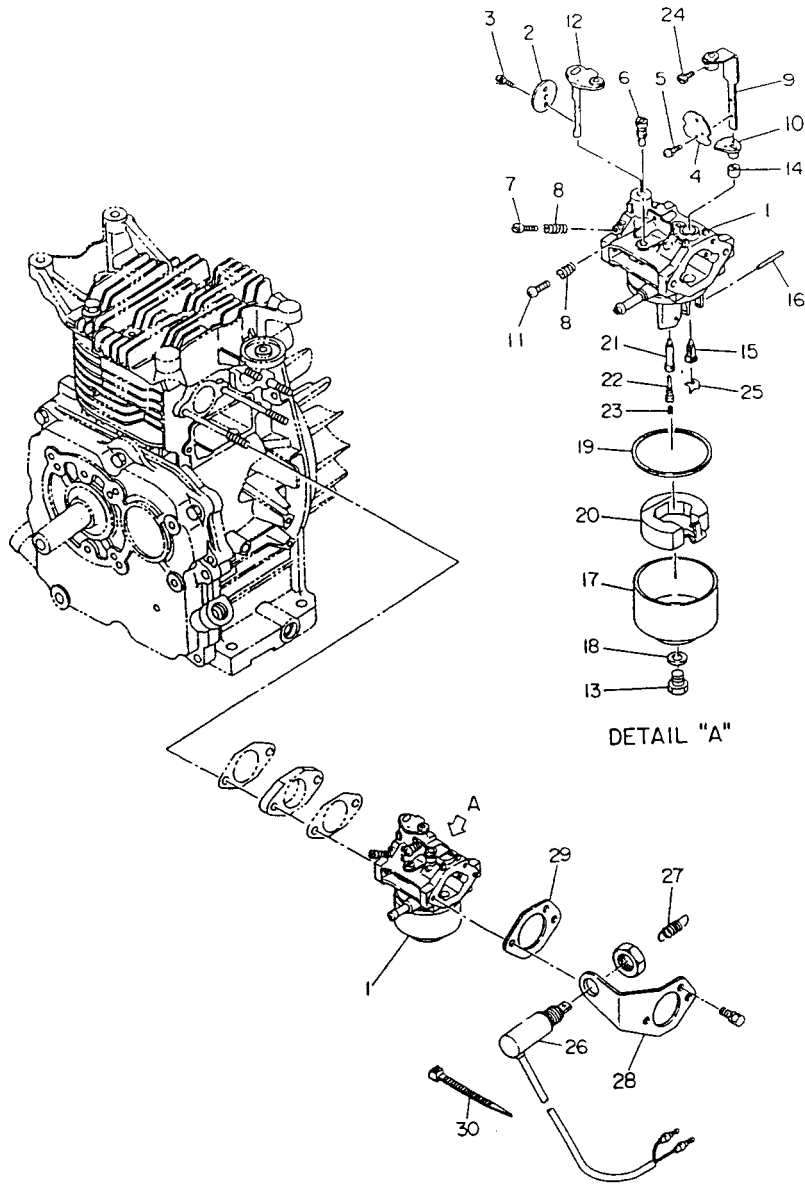


Fig.	Part No.	Qty. Used	Description	Fig.	Part No.	Qty. Used	Description
*	234-62303-07	1	CARBURETOR REPAIR KIT (Incl. Figs. 3,6,13,16,18~20&23)	16	214-62515-08	1	FLOAT PIN
1	234-62326-20	1	CARBURETOR ASSY. (Incl. Figs.2~25)	17	224-62552-08	1	FLOAT CHAMBER BODY
	234-62326-10	1	CARBURETOR ASSY. (Incl. Figs.2~25)	18	207-62345-08	1	PACKING
2	213-62537-08	1	THROTTLE VALVE	19	206-62540-08	1	PACKING
3	150-62356-08	2	SCREW & WASHER	20	234-62506-08	1	FLOAT ASSY.
4	234-62525-08	1	CHOKE VALVE		234-62505-08	1	FLOAT ASSY.
5	234-62450-08	2	SCREW	21	234-62440-08	1	NOZZLE
6	128-62420-08	1	PILOT JET	22	234-62425-08	1	PIPE
7	209-62305-08	1	PILOT SCREW	23	234-62401-08	1	MAIN JET (97.5)
8	206-62446-08	2	PILOT SPRING	24	227-62450-08	1	BOLT
9	234-62521-08	1	CHOKE LEVER	25	224-62568-08	1	CLIP
10	234-62550-08	1	RING	26	227-75501-00	1	SOLENOID (12V) Aft. #5006356
11	224-62452-08	1	SCREW		227-75503-00	1	SOLENOID (36V)
12	234-62535-08	1	THROTTLE SHAFT	27	234-78202-03	1	SOLENOID SPRING
13	129-62351-08	1	BOLT		234-78202-01	1	SOLENOID SPRING
14	226-62550-08	1	RING	28	234-78002-01	1	SOLENOID BRACKET
15	224-62312-08	1	NEEDLE VALVE	29	234-36003-03	1	GASKET, AIR CLEANER
	224-62309-08	1	NEEDLE VALVE	30	056-30000-20	1	WIRE BAND

11-1. OIL SENSOR

Up to #5019283

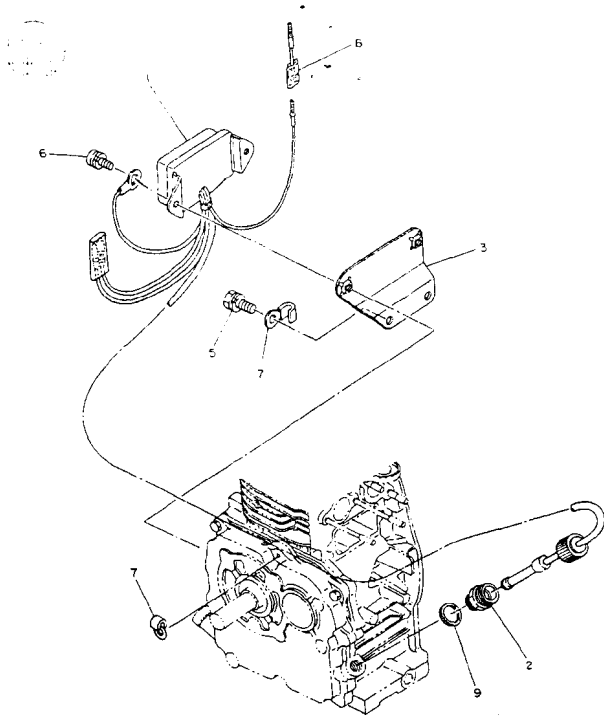


Fig.	Part No.	Qty. Used	Description	
1	234-76104-01	1	OIL LEVER SENSOR	
2	234-76201-03	1	OIL SENSOR JOINT	
3	234-76501-01	1	SENSOR BRACKET	G3500R
	234-76502-01	1	SENSOR BRACKET	G3501R
5	001-10081-60	2	BOLT & WASHER	
6	004-36061-00	2	SCREW & WASHER	
7	207-75001-01	2	CLAMP	
8	214-73122-01	1	WIRE 22	
9	021-31600-10	1	GASKET	

11-2. OIL SENSOR

After #5019284

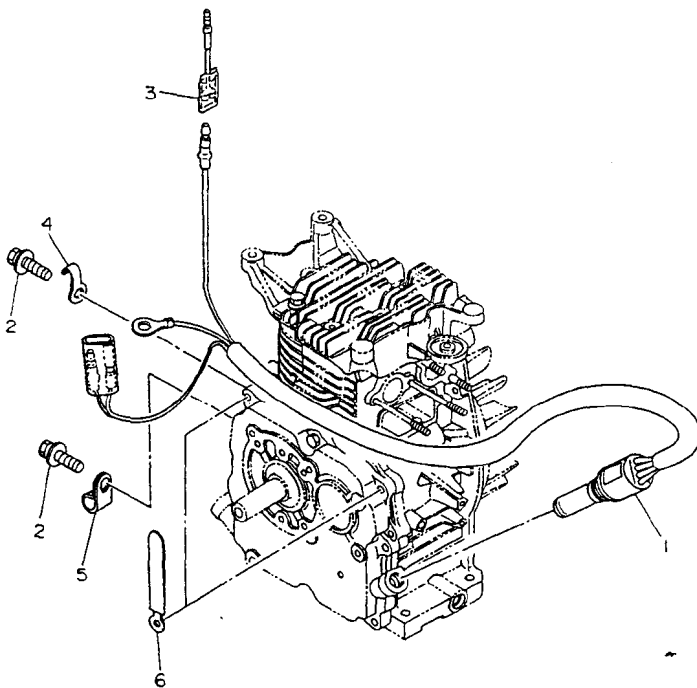


Fig.	Part No.	Qty. Used	Description	
1	KS3-11016-01	1	OIL LEVEL SENSOR	
2	001-10081-60	2	BOLT & WASHER	G3500R
3	214-73122-01	1	WIRE 22	
4	207-75001-01	1	CLAMP	G3500R
5	214-79003-01	1	CLAMP	G3500R
6	056-60001-70	2	CLAMP	