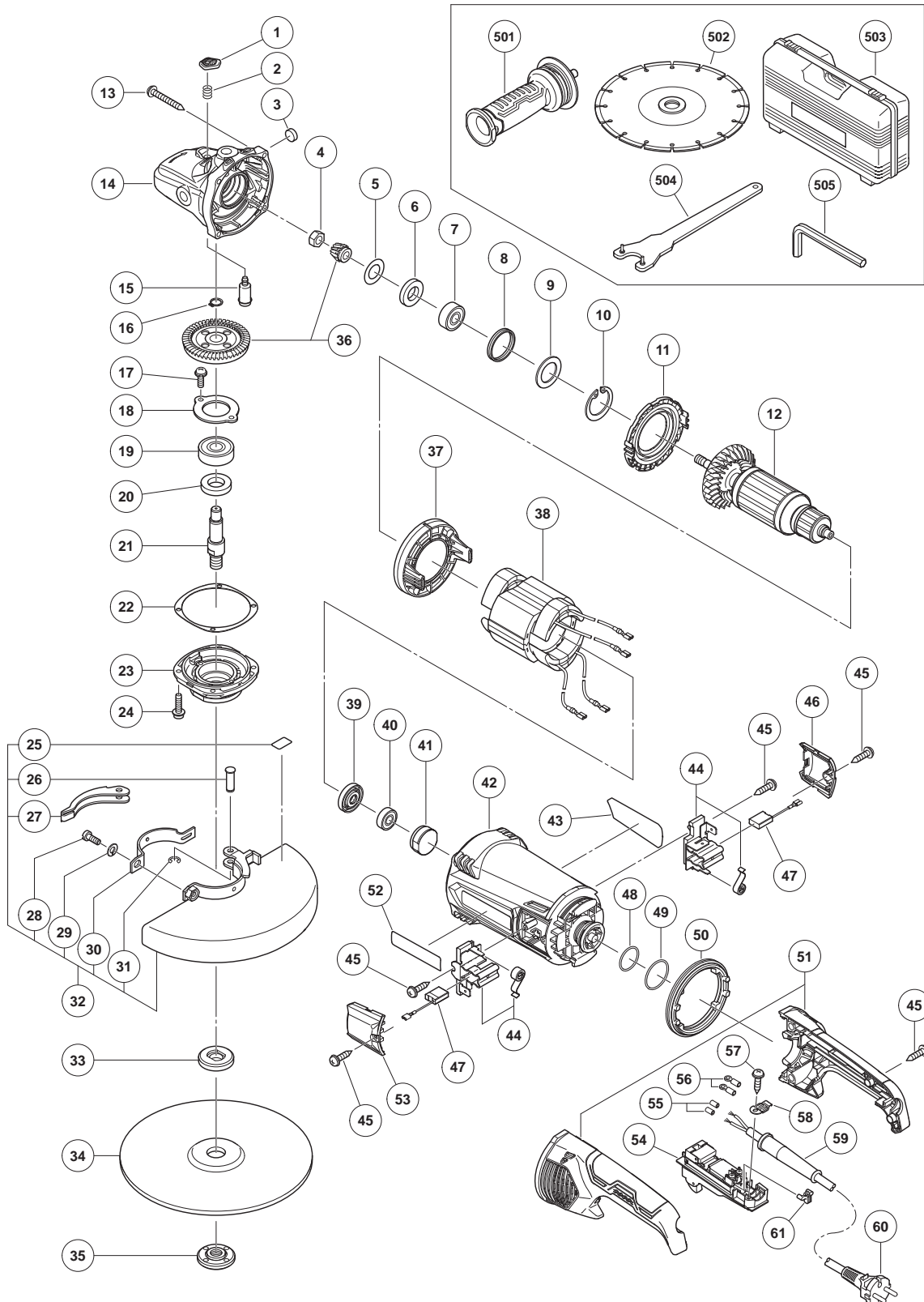


## ELECTRIC TOOL PARTS LIST

### DISC GRINDER Model G 23SCY2

2018-12-13  
(E1)



**PARTS**

G 23SCY2

ITEM NO.	CODE NO.	DESCRIPTION	NO. USED	REMARKS
1	337641	PUSHING BUTTON	1	
2	320219	SPRING	1	
3	937033	FELT WASHER	1	
4	320226	SPECIAL NUT M10	1	
5	320221	SEAL WASHER	1	
6	320222	FELT PACKING	1	
7	6301DD	BALL BEARING 6301DDCMPS2L	1	
8	330031	RUBBER RING	1	
9	337642	WASHER	1	
10	948391	RETAINING RING FOR D40 HOLE	1	
11	337640	FAN GUIDE (B)	1	
*	12	361093C	ARMATURE 110V	1
*	12	361093U	ARMATURE ASS'Y 120V	1 INCLUD.39,40
*	12	361093E	ARMATURE 220V-230V	1
13	323209	TAPPING SCREW (W/FLANGE) D5 X 35 (BLACK)	4	
14	374598	GEAR COVER (A) ASS'Y	1	INCLUD.1-3,5-10,15
15	306890	LOCK PIN	1	
16	939542	RETAINING RING FOR D12 SHAFT (10 PCS.)	1	
17	992038	SEAL LOCK SCREW (W/SP. WASHER) M5 X 10	2	
18	320229	BEARING COVER (B)	1	
19	6302VV	BALL BEARING 6302VVCMP2L	1	
20	990852	FELT PACKING (B)	1	
*	21	320234	SPINDLE	1
*	21	321541	SPINDLE	1 FOR USA,CAN
22	320228	SEAL PLATE	1	
23	320227	PACKING GLAND	1	
24	994192	HEX. SOCKET HD. BOLT (W/FLANGE) M5 X 16	4	
25	311492	LABEL	1	
26	321546	SET PIN	1	
27	321545	LEVER	1	
*	28	949760	HEX. SOCKET HD. BOLT M8 X 25 (10 PCS.)	1
*	28	306887	BOLT M8 X 22	1 FOR USA,CAN
*	29	949457	SPRING WASHER M8 (10 PCS.)	1 FOR USA,CAN
30	321544	SET PIECE	1	
31	673489	RETAINING RING (E-TYPE) FOR D5 SHAFT	1	
*	32	337225	WHEEL GUARD ASS'Y	1 INCLUD.25-28,30,31
*	32	374999	WHEEL GUARD ASS'Y	1 INCLUD.25-31 FOR USA,CAN
*	32	375000	WHEEL GUARD ASS'Y	1 INCLUD.25-31 FOR USA,CAN
*	33	937907Z	WHEEL WASHER (C)	1
*	33	334456	WHEEL WASHER (C)	1 FOR USA,CAN
*	34	316825	D. C. WHEELS 230MM A24R (25 PCS.)	1 FOR UAE,HKG,IND
*	35	373779	WHEEL NUT M14 X 2	1
*	35	937923P	WHEEL NUT 5/8"-11UNC	1 FOR USA,CAN
36	330688	GEAR AND PINION SET	1	
37	373752	FAN GUIDE (C)	1	
*	38	341007C	STATOR 110V	1
*	38	341007D	STATOR 120V	1
*	38	341007E	STATOR 220V-230V	1
39	330029	DUST SEAL	1	
40	6000VV	BALL BEARING 6000VVCMP2L	1	

**PARTS**

G 23SCY2

ITEM NO.	CODE NO.	DESCRIPTION	NO. USED	REMARKS	
41	321536	BEARING BUSHING	1		
42	373751	HOUSING ASS'Y	1	INCLUD.41	
43		NAME PLATE	1		
44	322323	BRUSH HOLDER SET	2		
45	305812	TAPPING SCREW (W/FLANGE) D4 X 16 (BLACK)	8		
46	373754	BRUSH COVER	1		
*	47	999061	CARBON BRUSH 7 X 17 X 22.5 (1 PAIR)	2	
*	47	999061	CARBON BRUSH 7 X 17 X 22.5 (1 PAIR)	1	FOR EUROPE,TUR
*	47	999089	CARBON BRUSH (AUTO STOP TYPE) (1 PAIR)	1	FOR EUROPE,TUR
48	326724	O-RING	1		
49	326725	O-RING	1		
50	373753	HANDLE DAMPER	1		
51	373921	HANDLE SET	1		
52		BRAND LABEL	1		
53	373755	BRUSH COVER	1		
*	54	320239	SWITCH (2P PILLAR TYPE) W/SAFETY LOCK	1	W/LOCK
*	54	320238	SWITCH (2P PILLAR TYPE) W/SAFETY LOCK	1	OFF/LOCK FOR EUROPE,TUR
*	54	322614	SWITCH (2P PILLAR TYPE) W/SAFETY LOCK	1	INCLUD.61 W/LOCK FOR USA,CAN
*	55	981373	TUBE (D)	2	EXCEPT FOR USA,CAN
*	56	930804	TERMINAL M4.0 (10 PCS.)	2	FOR USA,CAN
57	984750	TAPPING SCREW (W/FLANGE) D4 X 16	1		
58	331336	CORD CLIP	1		
*	59	958049	CORD ARMOR D8.2	1	
*	59	940778	CORD ARMOR D10.7	1	
*	60	321537	CORD	1	(CORD ARMOR D10.7)
*	60	500474Z	CORD	1	(CORD ARMOR D10.7) FOR UAE (110V),HKG (110V)
*	60	321538	CORD	1	(CORD ARMOR D10.7) FOR USA,CAN
*	60	500537Z	CORD	1	(CORD ARMOR D10.7) FOR UAE (230V)
*	60	500435Z	CORD	1	(CORD ARMOR D8.2) FOR HKG (220V)
*	60	500234Z	CORD	1	(CORD ARMOR D8.2) FOR IND
*	61	322549	SWITCH COVER	1	FOR USA,CAN

**STANDARD ACCESSORIES**

G 23SCY2

ITEM NO.	CODE NO.	DESCRIPTION	NO. USED	REMARKS	
501	336864	SIDE HANDLE	1		
* 502	994277	DIAMOND WHEEL (SEGMENT) 230MM-D22.2 HOLE	1	FOR FRA	
* 503	323713	CASE	1	FOR EUROPE	
504	325491	WRENCH	1		
* 505	872422	HEX. BAR WRENCH 6MM	1	EXCEPT FOR USA,CAN	

**OPTIONAL ACCESSORIES**

ITEM NO.	CODE NO.	DESCRIPTION	NO. USED	REMARKS	
601	316825	D. C. WHEELS 230MM A24R (25 PCS.)	1		
602	310337	SUPER WASHER	1		
603	323993	PIPE HANDLE SET	1	INCLUD.604	
604	985597	BOLT M14	2		
* 605	332797	WHEEL GUARD (FOR CUTTING)	1	EXCEPT FOR USA,CAN	