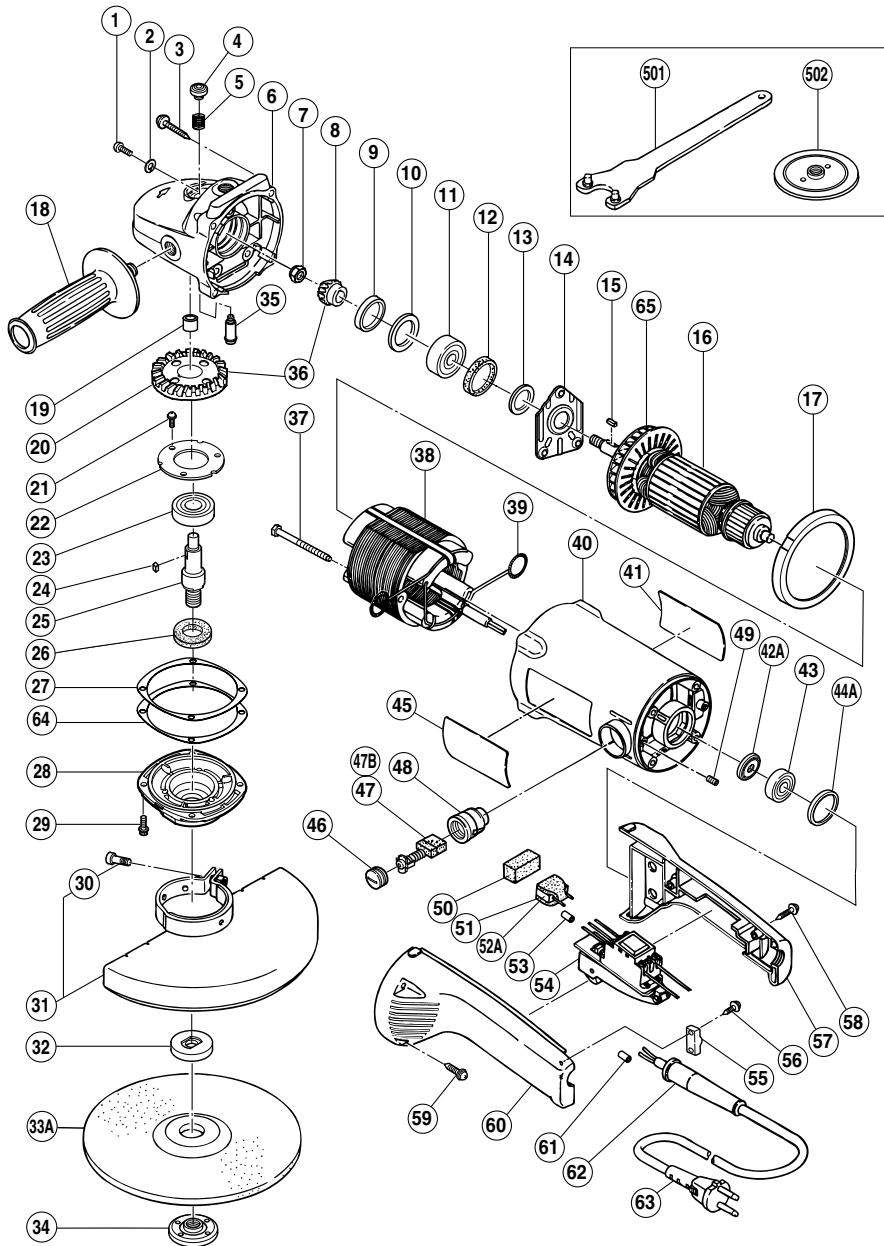


# G18SG



A	B	C	D	A	B	C	D
1	949-238	3	M5×14	38 1	340-261G	1	110V "39"
2	949-454	3	M5	38 2	340-260G	1	230V "39"
3	301-654	4	D5×35	38 3	340-260F	1	240V "39" "AUS"
4	306-888	1		38 4	340-260H	1	240V "39" "GBR 230V"
5	306-889	1		39	958-032	2	
6	306-105	1	"4, 5, 19, 35"	40	306-102	1	"48, 49"
7	946-228	1	M8	41		1	
8	306-123	1		42A	310-998	1	
9	306-107	1		43	620-0VV	1	6200VVCMP2S
10	306-113	1		44A	313-485	1	
11	630-1DD	1	6301DDUCMP2S	45		1	
12	994-208	1		46	940-540	2	
13	990-864	1		47	999-044	2	
14	306-106	1		47B	999-074	2	"ESP"
15	940-533	1	3×3×10	48	980-487	2	
16 1	360-287E	1	220V-230V	49	938-477	2	M5×8
16 2	360-287F	1	240V	50	306-117	1	
17	306-103	1		51	306-114	1	
18	937-981	1		52A	930-039	1	
19	673-002	1	HK1212	53	961-820	2	
20	306-122	1		54 1	306-115	1	
21	992-038	3	M5×10	54 2	306-116	1	"SAF, FRG, HOL, ESP"
22	937-035	1		55	960-266	1	
23	630-2DD	1	6302DDUCMP2S	56	984-750	2	D4×16
24	980-809	1	4×4×8	57	306-119	1	
25	990-857	1		58	304-035	2	D4×25
26	990-852	1		59	305-558	4	D5×25
27	306-112	1		60	306-118	1	
28	306-111	1		61	981-373	2	
29	994-192	4	M5×16	62 1	958-049	1	D8.2
30	306-887	1	M8×22	62 2	940-778	1	D10.7
31	306-124	1	"30"	63 1	500438Z	1	
32 1	937-907Z	1		63 2	500-246Z	1	"GBR"
32 2	937-908Z	1	"AUS, NZL"	63 3	500-411Z	1	"AUS"
33A	316-824	1	180MM A24R	63 4	938-333Z	1	"SAF"
34	937-909Z	1	M14×2	64	306-981	1	
35	306-890	1		65	319-657	1	
36	306-121	1	"8, 20"	501	937-913Z	1	
37	984-271	2	D5×75	502	937-917Z	1	"AUS, NZL"