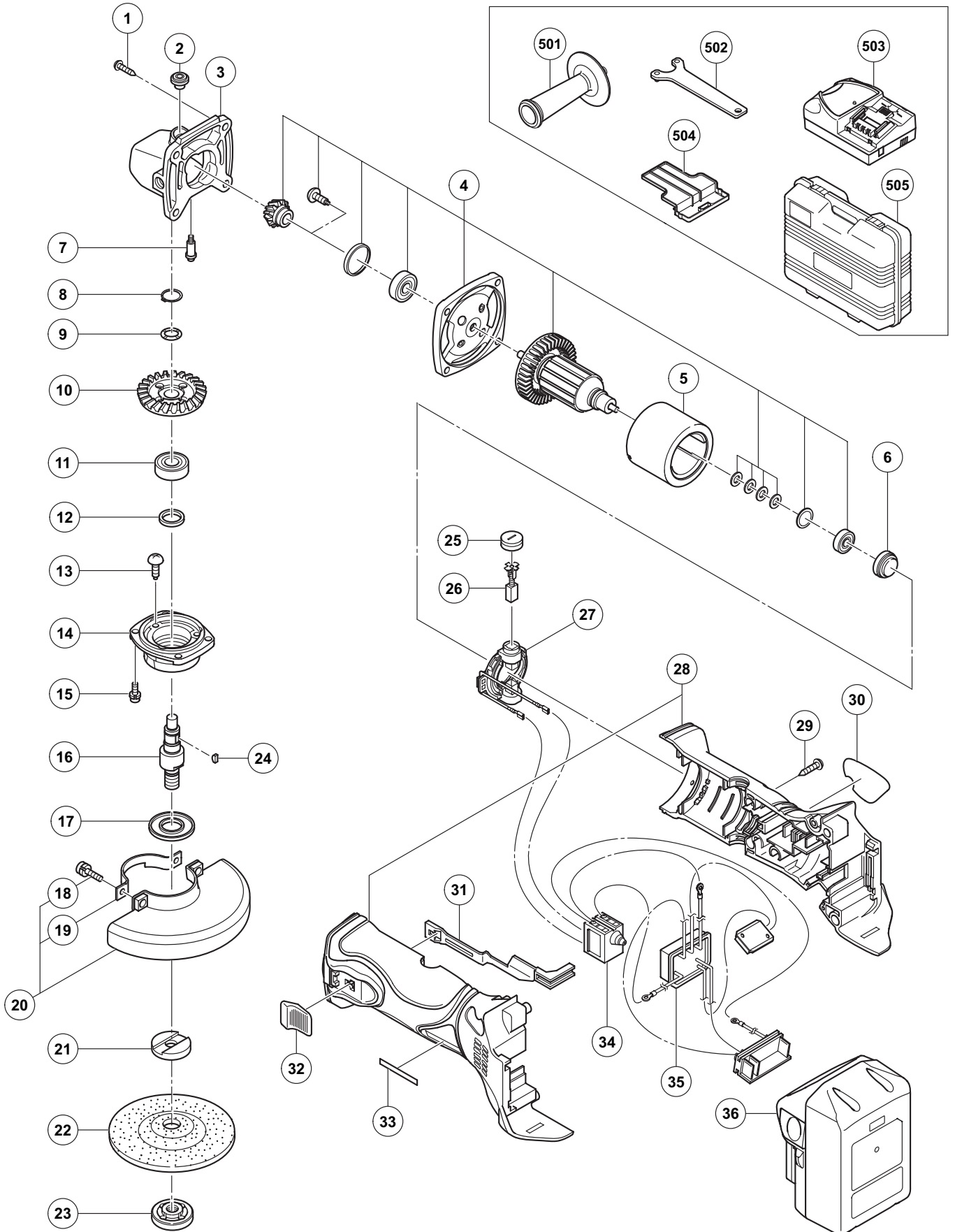


ELECTRIC TOOL PARTS LIST

CORDLESS DISC GRINDER Model G 18DSL

2008·7·9
(E1)



PARTS

G 18DSL

| ITEM NO. | CODE NO. | DESCRIPTION | NO. USED | REMARKS | |
|----------|----------|--|--|--------------|---------------------------------------|
| 1 | 328-643 | TAPPING SCREW (W/FLANGE) D4X23 (BLACK) | 4 | | |
| 2 | 301-944 | PUSHING BUTTON | 1 | | |
| 3 | 303-078 | GEAR COVER ASS'Y | 1 | INCLUD. 2, 7 | |
| 4 | 360-804 | ARMATURE AND PINION SET | 1 | | |
| 5 | 328-195 | MAGNET | 1 | | |
| 6 | 328-201 | RUBBER BUSHING | 1 | | |
| 7 | 301-943 | LOCK PIN | 1 | | |
| 8 | 316-487 | RETAINING RING FOR D11 SHAFT | 1 | | |
| 9 | 316-486 | WAVE WASHER | 1 | | |
| 10 | 328-364 | GEAR | 1 | | |
| 11 | 600-1VV | BALL BEARING 6001VVCMP52L | 1 | | |
| 12 | 301-946 | FELT PACKING | 1 | | |
| 13 | 301-936 | SLOTTED HD. SCREW (SEAL LOCK) M4X10 | 3 | | |
| 14 | 328-198 | PACKING GLAND | 1 | | |
| 15 | 307-127 | SEAL LOCK SCREW (W/SP. WASHER) M4X12 | 4 | | |
| * | 16 | 328-359 | SPINDLE M14 | 1 | |
| * | 16 | 328-360 | SPINDLE 5/8"-11UNC | 1 | FOR USA, CAN |
| | 17 | 301-945 | FRINGER | 1 | |
| | 18 | 308-386 | MACHINE SCREW (W/SP. WASHER) M5X16 (BLACK) | 2 | |
| | 19 | 301-949 | SET PLATE | 1 | |
| * | 20 | 315-492 | WHEEL GUARD ASS'Y | 1 | INCLUD. 18, 19 |
| * | 20 | 319-116 | WHEEL GUARD ASS'Y | 1 | INCLUD. 18, 19 FOR D. C. WHEELS 125MM |
| * | 21 | 937-817Z | WHEEL WASHER | 1 | |
| * | 21 | 319-373 | WHEEL WASHER | 1 | FOR USA, CAN |
| * | 22 | 316-821 | D. C. WHEELS 115MM A36Q (25 PCS.) | 1 | |
| * | 22 | 316-822 | D. C. WHEELS 125MM A36Q (25 PCS.) | 1 | |
| * | 23 | 994-324 | WHEEL NUT M14 | 1 | |
| * | 23 | 937-923P | WHEEL NUT 5/8"-11UNC | 1 | FOR USA, CAN |
| | 24 | 302-047 | WOODRUFF KEY | 1 | |
| | 25 | 328-200 | BRUSH CAP | 2 | |
| | 26 | 999-054 | CARBON BRUSH 5X6X11.5 (1 PAIR) | 2 | |
| | 27 | 328-202 | BRUSH BLOCK | 1 | |
| | 28 | 330-073 | HOUSING (A). (B) SET | 1 | |
| | 29 | 301-653 | TAPPING SCREW (W/FLANGE) D4X20 (BLACK) | 5 | |
| | 30 | | NAME PLATE | 1 | |
| | 31 | 328-199 | SLIDE BAR | 1 | |
| | 32 | 314-428 | SLIDE KNOB | 1 | |
| | 33 | | HITACHI LABEL | 1 | |
| | 34 | 329-057 | PUSHING BUTTON SWITCH | 1 | |
| | 35 | 330-072 | CONTROLLER TERMINAL SET | 1 | |
| * | 36 | 330-068 | BATTERY BSL 1830 (EUROPE, AUS, NZL) | 2 | INCLUD. 504 |
| * | 36 | 330-067 | BATTERY BSL 1830 (USA, CAN) | 1 | INCLUD. 504 |
| | | | | | |
| | | | | | |
| | | | | | |
| | | | | | |
| | | | | | |
| | | | | | |
| | | | | | |
| | | | | | |

STANDARD ACCESSORIES

G 18DSL

| ITEM NO. | CODE NO. | DESCRIPTION | NO. USED | REMARKS |
|----------|----------|---------------------------|----------|----------------------|
| 501 | 318-312 | SIDE HANDLE | 1 | |
| 502 | 938-332Z | WRENCH | 1 | |
| 503 | | CHARGER (MODEL UC 18YRSL) | 1 | |
| * 504 | 329-897 | BATTERY COVER | 1 | FOR EUROPE, AUS, NZL |
| 505 | 328-206 | CASE | 1 | |
| | | | | |
| | | | | |
| | | | | |
| | | | | |
| | | | | |

OPTIONAL ACCESSORIES

| ITEM NO. | CODE NO. | DESCRIPTION | NO. USED | REMARKS |
|----------|----------|--------------------------------------|----------|---------------------|
| * 601 | 937-826Z | WASHER NUT | 1 | |
| * 601 | 938-318 | WASHER NUT | 1 | FOR USA, CAN |
| * 602 | 937-825Z | RUBBER PAD | 1 | |
| * 602 | 938-317 | RUBBER PAD | 1 | FOR USA, CAN |
| * 603 | 310-338 | SUPER WASHER | 1 | EXCEPT FOR USA, CAN |
| * 604 | 314-095 | SANDING DISCS 115MM C-P16 (10 PCS.) | 1 | |
| * 604 | 314-062 | SANDING DISCS 125MM C-P16 (10 PCS.) | 1 | |
| * 605 | 314-096 | SANDING DISCS 115MM C-P20 (10 PCS.) | 1 | |
| * 605 | 314-063 | SANDING DISCS 125MM C-P20 (10 PCS.) | 1 | |
| * 606 | 314-097 | SANDING DISCS 115MM C-P24 (10 PCS.) | 1 | |
| * 606 | 314-064 | SANDING DISCS 125MM C-P24 (10 PCS.) | 1 | |
| * 607 | 314-098 | SANDING DISCS 115MM C-P30 (10 PCS.) | 1 | |
| * 607 | 314-065 | SANDING DISCS 125MM C-P30 (10 PCS.) | 1 | |
| * 608 | 314-099 | SANDING DISCS 115MM C-P36 (10 PCS.) | 1 | |
| * 608 | 314-066 | SANDING DISCS 125MM C-P36 (10 PCS.) | 1 | |
| * 609 | 314-100 | SANDING DISCS 115MM C-P40 (10 PCS.) | 1 | |
| * 609 | 314-067 | SANDING DISCS 125MM C-P40 (10 PCS.) | 1 | |
| * 610 | 314-101 | SANDING DISCS 115MM C-P50 (10 PCS.) | 1 | |
| * 610 | 314-068 | SANDING DISCS 125MM C-P50 (10 PCS.) | 1 | |
| * 611 | 314-102 | SANDING DISCS 115MM C-P60 (10 PCS.) | 1 | |
| * 611 | 314-069 | SANDING DISCS 125MM C-P60 (10 PCS.) | 1 | |
| * 612 | 314-103 | SANDING DISCS 115MM C-P80 (10 PCS.) | 1 | |
| * 612 | 314-070 | SANDING DISCS 125MM C-P80 (10 PCS.) | 1 | |
| * 613 | 314-104 | SANDING DISCS 115MM C-P100 (10 PCS.) | 1 | |
| * 613 | 314-071 | SANDING DISCS 125MM C-P100 (10 PCS.) | 1 | |
| * 614 | 314-105 | SANDING DISCS 115MM C-P120 (10 PCS.) | 1 | |
| * 614 | 314-072 | SANDING DISCS 125MM C-P120 (10 PCS.) | 1 | |
| | | | | |
| | | | | |
| | | | | |
| | | | | |
| | | | | |

