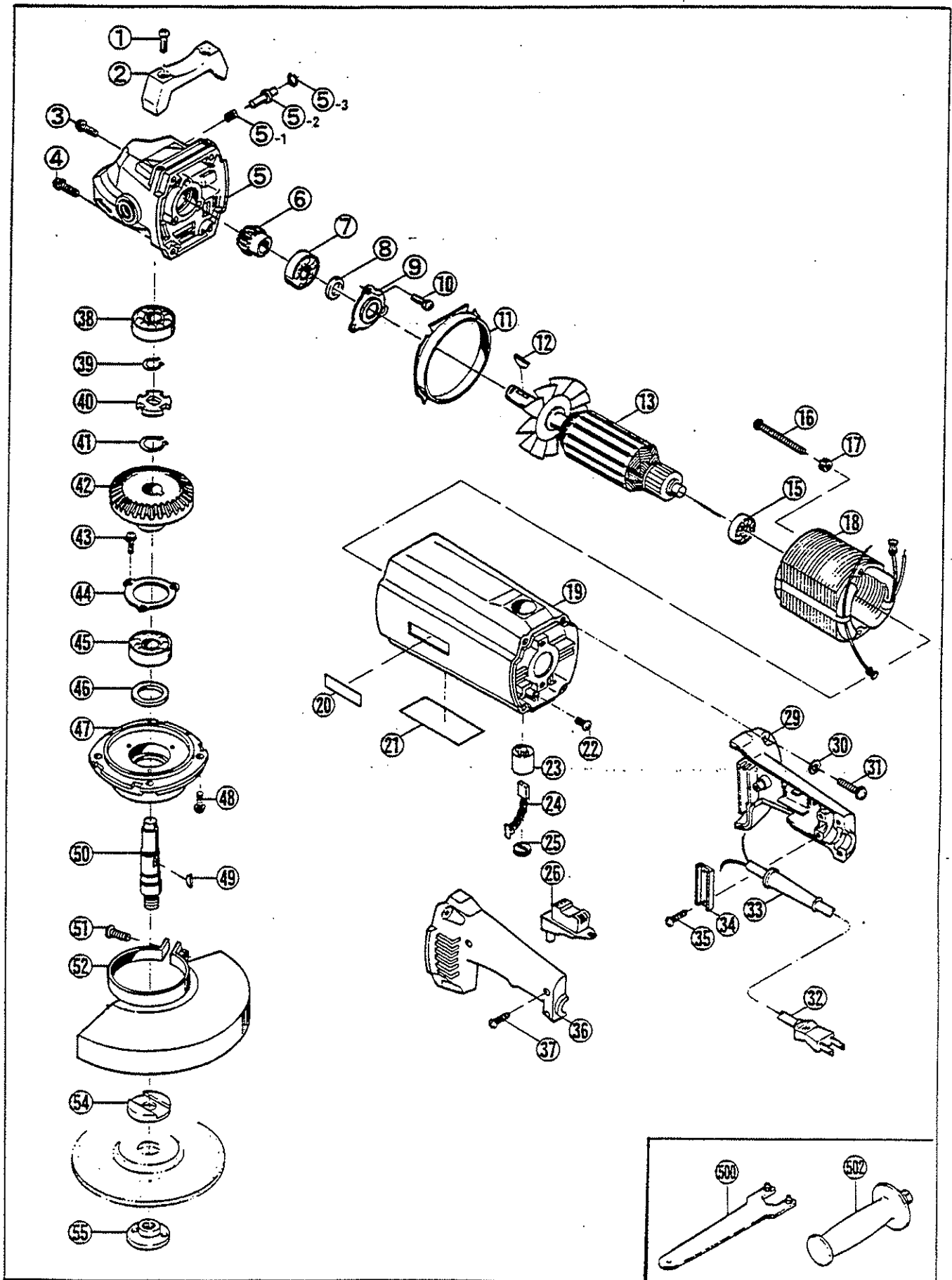


GRINDER

G-1801



PARTS LIST FOR AFTER SALES SERVICE MODEL G1801

REF	PART NO.	DESCRIPTION	QTY	REF	PART NO.	DESCRIPTION	QTY
1	9000815	PHILLIPS PAN SCREW M6X15	2	33	6560047	CORD HOLDER	1
2	6370068	TOOL REST	1	34	6560103	CORD CLAMP	1
3	9020540	PHILLIPS PAN SCREW M5X40	2	35	9060414	TAPPING SCREW (B) M4X14	2
4	9020520	PHILLIPS PAN SCREW M5X20	2	36	6831646	HANDLE (B)	1
5	6080756	GEAR CASE	1	37	9060425	TAPPING SCREW (B) M5X25	3
5-1	6180090	COMPRESSION SPRING	1	38	9846200	BALL BEARING #6200LLB	1
5-2	6120084	STOPPER PIN	1	39	9511400	RETAINING RING S-14	1
5-3	6100079	RETAINING RING R-13	1	40	6220027	STOPPER	1
6	6200056	PINION GEAR	1	41	9511700	RETAINING RING S-17	1
7	9896201	BALL BEARING #6201LLH	1	42	6200058	FINAL GEAR	1
8	6900225	FELT WASHER	1	43	9020512	PHILLIPS PAN SCREW M5X12	3
9	6151124	CLAMP PLATE	1	44	6151127	CLAMP PLATE	1
10	9020512	PHILLIPS PAN SCREW M5X12	3	45	9896203	BALL BEARING #6203LLH	1
11	6490110	FAN CASING	1	46	6390027	FELT	1
12	6100630	WOODRUFF KEY	1	47	6820221	GEAR CASE COVER	1
13	6030649	ARMATURE	1	48	9020520	PHILLIPS PAN SCREW M5X20	4
15	9896200	BALL BEARING #6200LLH	1	49	6100630	WOODRUFF KEY	1
16	6130216	HEX HEAD BOLT M5X75	2	50	6110059	SPINDLE	1
17	6150007	LOCK WASHER	2	51	6131312	PHILLIPS PAN SCREW M6X20	1
18	6500596	FIELD COIL	1	52	6020071	WHEEL GUARD	1
19	6800555	MOTOR HOUSING	1	54	6940230	FLANGE	1
20	6920006	"RYOBI" MARK #11	2	55	6940227	CLAMP NUT	1
21	6910927	NAME PLATE	1	--	6530209	FASTEN CONNECTOR	1
22	9000512	PHILLIPS PAN SCREW M5X12	2	--	6560026	TERMINAL	4
23	6570032	BRUSH HOLDER	2	--	9674316	LEAD WIRE	1
24	6540363	CARBON BRUSH SET	1				
25	6570033	BRUSH CAP	2				
26	6550450	TRIGGER SWITCH	1	STANDARD ACCESSORIES			
29	6831643	HANDLE (A)	1	500	6240363	LOCK-NUT WRENCH 35	1
30	9560600	WASHER	4	502	6830536	SIDE HANDLE	1
31	9020630	PHILLIPS PAN SCREW M6X30	4				
32	6520221	CORD ASS'Y AWG#16X2X2	1				

SERVICE NOTES:

