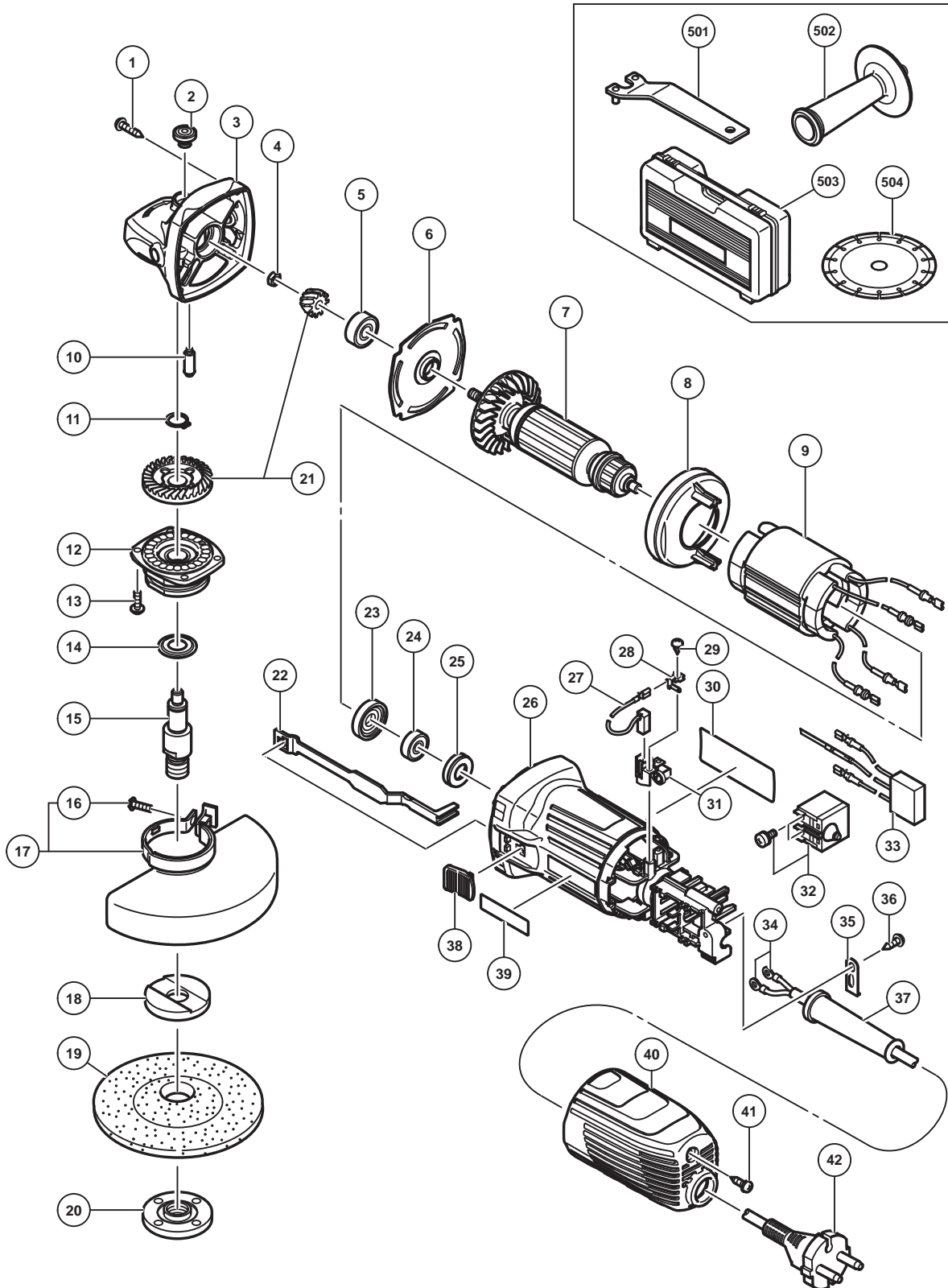


ELECTRIC TOOL PARTS LIST

■ DISC GRINDER
Model G 12SS2

2015 · 5 · 25
(E1)



PARTS

G 12SS2

ITEM NO.	CODE NO.	DESCRIPTION	NO. USED	REMARKS
1	328643	TAPPING SCREW (W/FLANGE) D4 X 23 (BLACK)	4	
2	301944	PUSHING BUTTON	1	
3	339146	GEAR COVER ASS'Y	1	INCLUD.2,10
4	309191	SPECIAL NUT M6	1	
5	338337	BALL BEARING 608S	1	
6	338850	BEARING HOLDER	1	
* 7	361007C	ARMATURE 110V	1	
* 7	361007U	ARMATURE ASS'Y 120V	1	INCLUD.5,23,24
* 7	361007F	ARMATURE 220V	1	
* 7	361007E	ARMATURE 230V-240V	1	
8	338853	FAN GUIDE	1	
* 9	340908D	STATOR 110V-120V	1	
* 9	340908E	STATOR 220V-230V	1	
10	301943	LOCK PIN	1	
11	316487	RETAINING RING FOR D11 SHAFT	1	
12	338849	PACKING GLAND	1	
13	328628	SEAL LOCK SCREW (W/WASHER) M4 X 12	4	
14	328185	WASHER (A)	1	
* 15	330700	SPINDLE	1	
* 15	330701	SPINDLE	1	FOR USA,CAN,MEX,PAN
16	308386	MACHINE SCREW (W/SP. WASHER) M5 X 16 (BLACK)	1	
17	338848	WHEEL GUARD ASS'Y	1	INCLUD.16
* 18	937817Z	WHEEL WASHER	1	
* 18	319373	WHEEL WASHER	1	FOR USA,CAN,MEX,NZL
* 19	316821	D. C. WHEELS 115MM A36Q (25 PCS.)	1	FOR USA,CAN,NZL
* 20	337329	WHEEL NUT M14	1	
* 20	937923P	WHEEL NUT 5/8"-11UNC	1	FOR USA,CAN,MEX,PAN
21	328178	GEAR AND PINION SET	1	
22	338855	SLIDE BAR	1	
23	321722	DUST SEAL	1	
24	339145	BALL BEARING 626ZZ	1	
25	309929	RUBBER BUSHING	1	
26	338851	HOUSING	1	
27	999067	CARBON BRUSH 6.5 X 7.5 X 14 (1 PAIR)	2	
28	339185	TAB TERMINAL	2	
29	328210	TAPPING SCREW D3 X 8	4	
30		NAME PLATE	1	
31	333844	BRUSH HOLDER	2	
32	339149	PUSHING BUTTON SWITCH	1	
* 33	339148	NOISE SUPPRESSOR 100V-110V	1	FOR GBR (110V)
* 33	339147	NOISE SUPPRESSOR 220V-240V	1	FOR NZL,TUR,SAF,GBR (230V)
34	980063	TERMINAL	2	
* 35	338334	CORD CLIP	1	
* 35	338333	CORD CLIP	1	FOR UAE (110V)
36	305720	TAPPING SCREW (W/FLANGE) D4 X 12	1	
* 37	953327	CORD ARMOR D8.8	1	
* 37	938051	CORD ARMOR D10.1	1	FOR UAE (110V)
38	338854	SLIDE SWITCH KNOB	1	
39		HITACHI LABEL	1	
40	338852	TAIL COVER	1	

PARTS

G 12SS2

ITEM NO.	CODE NO.	DESCRIPTION	NO. USED	REMARKS
41	305812	TAPPING SCREW (W/FLANGE) D4 X 16 (BLACK)	1	
* 42	500409Z	CORD	1	(CORD ARMOR D8.8)
* 42	500240Z	CORD	1	(CORD ARMOR D8.8) FOR USA,CAN,MEX,PAN
* 42	500436Z	CORD	1	(CORD ARMOR D8.8) FOR UAE (230V), GBR (230V)
* 42	500201Z	CORD	1	(CORD ARMOR D10.1) FOR UAE (110V)
* 42	500461Z	CORD	1	(CORD ARMOR D8.8) FOR GBR (110V)
* 42	500439Z	CORD	1	(CORD ARMOR D8.8) FOR NZL

STANDARD ACCESSORIES

ITEM NO.	CODE NO.	DESCRIPTION	NO. USED	REMARKS
501	938332Z	WRENCH	1	
* 502	302142	SIDE HANDLE	1	EXCEPT FOR UAE
* 503	339264	CASE	1	FOR GBR
* 504		DIAMOND CUTTER 115MM-D22.2 HOLE	1	FOR GBR SUPPLIED WITH ITEM NO.601

OPTIONAL ACCESSORIES

ITEM NO.	CODE NO.	DESCRIPTION	NO. USED	REMARKS
* 601	994314	DIAMOND WHEEL (SEGMENT) 115MM-D22.2 HOLE	1	FOR GBR
602	314095	SANDING DISCS 115MM C-P16 (10 PCS.)	1	
603	314096	SANDING DISCS 115MM C-P20 (10 PCS.)	1	
604	314097	SANDING DISCS 115MM C-P24 (10 PCS.)	1	
605	314098	SANDING DISCS 115MM C-P30 (10 PCS.)	1	
606	314099	SANDING DISCS 115MM C-P36 (10 PCS.)	1	
607	314100	SANDING DISCS 115MM C-P40 (10 PCS.)	1	
608	314101	SANDING DISCS 115MM C-P50 (10 PCS.)	1	
609	314102	SANDING DISCS 115MM C-P60 (10 PCS.)	1	
610	314103	SANDING DISCS 115MM C-P80 (10 PCS.)	1	
612	314104	SANDING DISCS 115MM C-P100 (10 PCS.)	1	
613	314105	SANDING DISCS 115MM C-P120 (10 PCS.)	1	
614	937826Z	WASHER NUT	1	
615	332785	WHEEL GUARD (FOR CUTTING)	1	