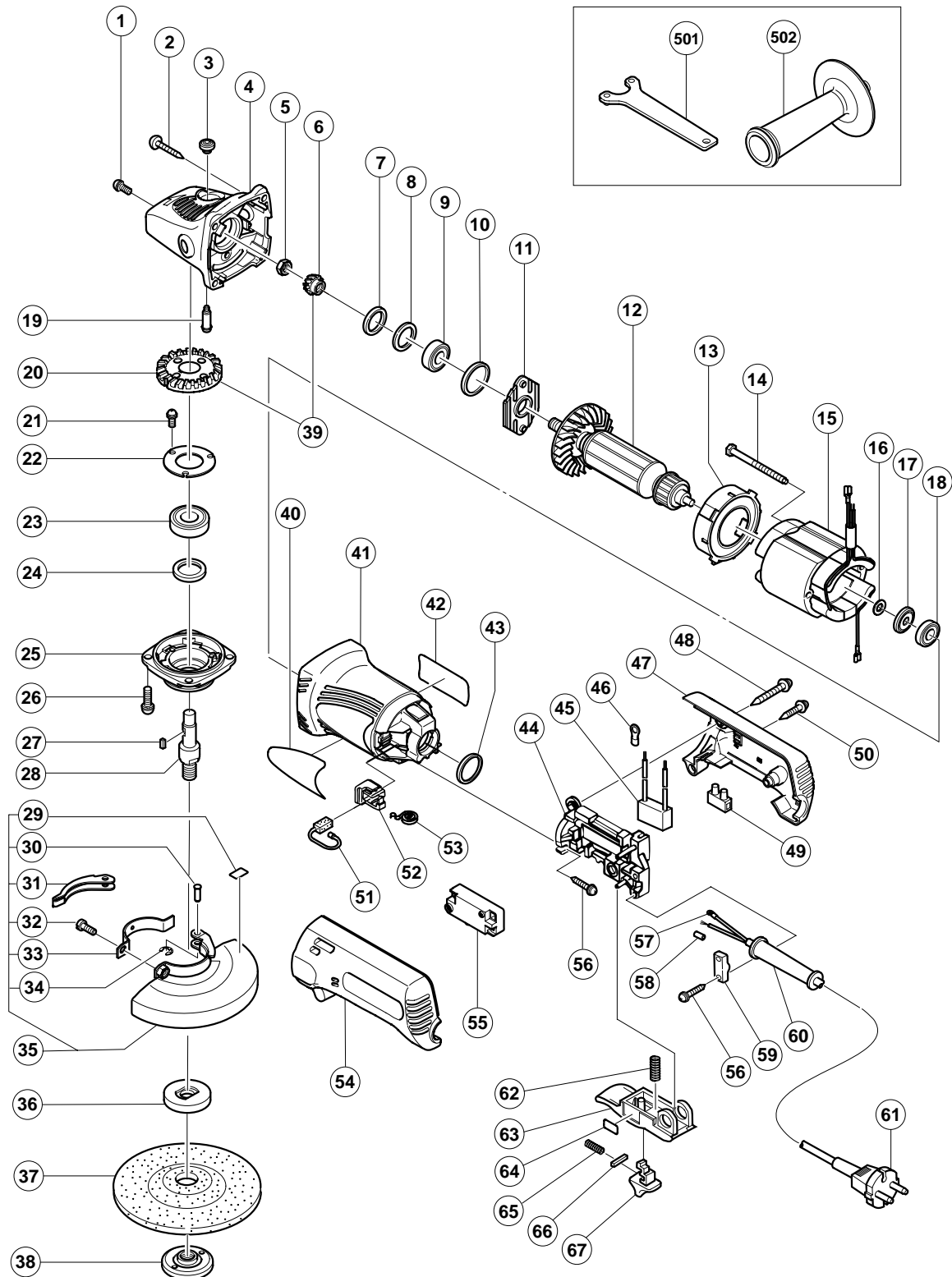


ELECTRIC TOOL PARTS LIST

DISC GRINDER Model G 12SE2

2003 • 7 • 25
(E2)



PARTS

G 12SE2

ITEM NO.	CODE NO.	DESCRIPTION	NO. USED	REMARKS	
1	303-255	SEAL LOCK SCREW (W/SP. WASHER) M4X10	2		
2	320-523	TAPPING SCREW D5X25 (BLACK)	4		
3	301-944	PUSHING BUTTON	1		
4	321-737	GEAR COVER ASS'Y	1	INCLUD. 3, 19	
5	949-558	NUT M8 (10 PCS.)	1		
6	308-541	PINION	1		
7	308-543	SEAL RING (A)	1		
8	980-866	WASHER (C)	1		
9	629-T12	BALL BEARING 629T12DDC3PS2-L	1		
10	957-754	RUBBER RING	1		
11	321-734	BEARING COVER	1		
*	12	360-603U	ARMATURE ASS'Y 110V-120V	1	INCLUD. 9, 16-18
*	12	360-619E	ARMATURE 230V	1	
*	12	360-603E	ARMATURE 230V-240V	1	FOR NZL, AUS
13	321-732	FAN GUIDE	1		
14	982-021	HEX. HD. TAPPING SCREW D4X70	2		
*	15	340-551C	STATOR 110V	1	
*	15	340-551D	STATOR 120V	1	
*	15	340-551E	STATOR 230V	1	
*	15	340-551F	STATOR 240V	1	
*	16	311-737	THRUST WASHER	1	EXCEPT FOR NZL, AUS
*	17	311-435	DUST SEAL (A)	1	
*	17	315-877	DUST SEAL	1	FOR NZL, AUS
18	608-VVM	BALL BEARING 608VVC2PS2L	1		
19	301-943	LOCK PIN	1		
20	321-736	GEAR	1		
21	991-207	SEAL LOCK SCREW (W/SP. WASHER) M4X8	3		
22	936-680	BEARING COVER (B)	1		
23	620-1DD	BALL BEARING 6201DDCMPS2L	1		
24	308-546	FELT PACKING	1		
25	308-545	PACKING GLAND	1		
26	307-046	SEAL LOCK SCREW (W/SP. WASHER) M5X16	4		
27	944-109	FEATHER KEY 3X3X8	1		
*	28	994-301	SPINDLE (A)	1	
*	28	994-302	SPINDLE (B)	1	FOR USA, CAN
29	311-492	LABEL	1		
30	311-744	SET PIN	1		
31	311-743	LEVER	1		
32	880-734	MACHINE SCREW (W/WASHERS) M5X25 (BLACK)	1		
33	311-491	SET PIECE (B)	1		
34	874-759	RETAINING RING (E-TYPE) FOR D2.5 SHAFT	1		
35	311-745	WHEEL GUARD ASS'Y (TOOLLESS TYPE)	1	INCLUD. 29-34	
*	36	937-817Z	WHEEL WASHER	1	
*	36	937-928Z	WHEEL WASHER (A) FOR D16 HOLE	1	FOR USA, CAN
37	316-821	D. C. WHEELS 115MM A36Q (25 PCS.)	1		
*	38	994-324	WHEEL NUT M14	1	
*	38	937-923P	WHEEL NUT 5/8"-11UNC	1	FOR USA, CAN
39	321-735	GEAR AND PINION ASS'Y	1	INCLUD. 6, 20	
40		HITACHI LABEL	1		
41	321-731	HOUSING	1		
42		NAME PLATE	1		

PARTS

ITEM NO.	CODE NO.	DESCRIPTION	NO. USED	REMARKS
	43	321-733 RUBBER RING	1	
	44	311-738 SWITCH BOX	1	
*	45	930-039 NOISE SUPPRESSOR	1	EXCEPT FOR USA, CAN
*	46	311-741 TERMINAL	1	
*	46	980-063 TERMINAL	1	FOR USA, CAN
	47	321-739 TAIL COVER (B)	1	
	48	303-694 TAPPING SCREW (W/FLANGE) D4X35 (BLACK)	2	
	49	938-307 PILLAR TERMINAL	1	
	50	301-653 TAPPING SCREW (W/FLANGE) D4X20 (BLACK)	1	
	51	999-088 CARBON BRUSH (1 PAIR)	1	
	51	999-076 CARBON BRUSH (AUTO STOP TYPE) (1 PAIR)	1	
	52	317-810 BRUSH HOLDER	2	
	53	308-536 SPRING	2	
	54	321-738 TAIL COVER (A)	1	
*	55	311-739 SWITCH (1P SCREW TYPE) W/O LOCK	1	
*	55	311-740 SWITCH (1P SCREW TYPE) W/O LOCK	1	FOR USA, CAN
	56	984-750 TAPPING SCREW (W/FLANGE) D4X16	3	
	57	980-063 TERMINAL	1	
*	58	981-373 TUBE (D)	2	FOR GBR (110V)
	59	960-266 CORD CLIP	1	
	60	953-327 CORD ARMOR D8.8	1	
*	61	500-235Z CORD	1	(CORD ARMOR D8.8)
*	61	500-408Z CORD	1	(CORD ARMOR D8.8) FOR NZL, FIJ, AUS
*	61	500-249Z CORD	1	(CORD ARMOR D8.8) FOR USA, CAN
*	61	500-462Z CORD	1	(CORD ARMOR D8.8) FOR GBR (110V)
*	61	500-440Z CORD	1	(CORD ARMOR D8.8) FOR GBR (230V)
	62	983-595 SPRING	1	
	63	308-554 PADDLE LEVER	1	
*	64	308-557 LEVER ACTION SEAL	1	
*	64	308-558 LEVER ACTION SEAL	1	FOR NZL, FIJ, AUS, GBR
	65	301-631 SPRING (F)	1	
	66	982-696 FEATHER KEY 3X3X15	1	
*	67	308-555 LOCK LEVER (BLACK)	1	
*	67	308-556 LOCK LEVER (GRAY)	1	FOR NZL, FIJ, AUS, GBR

STANDARD ACCESSORIES

G 12SE2

ITEM NO.	CODE NO.	DESCRIPTION	NO. USED	REMARKS
501	938-332Z	WRENCH	1	
502	994-322	SIDE HANDLE	1	

OPTIONAL ACCESSORIES

ITEM NO.	CODE NO.	DESCRIPTION	NO. USED	REMARKS	
*	601	937-825Z	RUBBER PAD	1	
*	601	938-317	RUBBER PAD	1	FOR USA, CAN
*	602	937-826Z	WASHER NUT	1	
*	602	938-318	WASHER NUT	1	FOR USA, CAN
	603	314-095	SANDING DISCS 115MM C-P16 (10 PCS.)	1	
	604	314-096	SANDING DISCS 115MM C-P20 (10 PCS.)	1	
	605	314-097	SANDING DISCS 115MM C-P24 (10 PCS.)	1	
	606	314-098	SANDING DISCS 115MM C-P30 (10 PCS.)	1	
	607	314-099	SANDING DISCS 115MM C-P36 (10 PCS.)	1	
	608	314-100	SANDING DISCS 115MM C-P40 (10 PCS.)	1	
	609	314-101	SANDING DISCS 115MM C-P50 (10 PCS.)	1	
	610	314-102	SANDING DISCS 115MM C-P60 (10 PCS.)	1	
	611	314-103	SANDING DISCS 115MM C-P80 (10 PCS.)	1	
	612	314-104	SANDING DISCS 115MM C-P100 (10 PCS.)	1	
	613	314-105	SANDING DISCS 115MM C-P120 (10 PCS.)	1	
*	614	994-312	WHEEL WASHER (C) FOR D20 HOLE	1	FOR USA, CAN
*	615	310-338	SUPER WASHER	1	EXCEPT FOR USA, CAN