

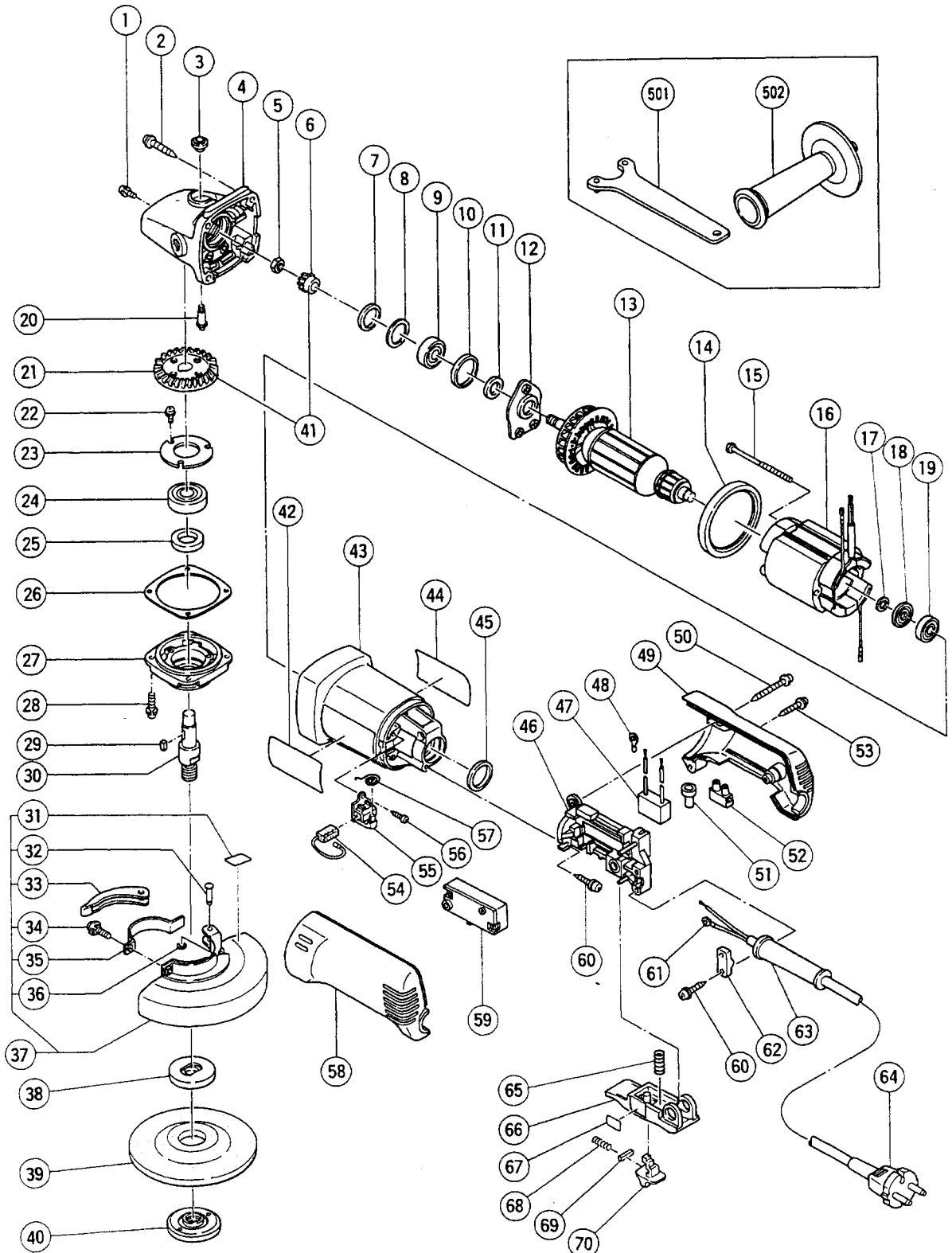
# HITACHI

LIST NO. E221

## ELECTRIC TOOL PARTS LIST

■ DISC GRINDER  
Model G 12SE

1995 • 10 • 10  
(E1)



## PARTS

G 12SE

ITEM NO.	CODE NO.	DESCRIPTION	NO. USED	REMARKS	
1	303-255	SEAL LOCK SCREW (W/SP. WASHER) M4X10	3		
2	937-807	TAPPING SCREW D5X25	4		
3	301-944	PUSHING BUTTON	1		
4	308-542	GEAR COVER ASS'Y	1	INCLUD.3,20	
5	301-941	SPECIAL NUT M7	1		
6	308-541	PINION	1		
7	308-543	SEAL RING (A)	1		
8	980-886	WASHER (C)	1		
9	629-T12	BALL BEARING 629T12DDC3PS2 - L	1		
10	957-754	RUBBER RING	1		
11	994-320	FELT	1		
12	308-538	BEARING COVER	1		
*	13	360-375C	ARMATURE 110V	1	
*	13	360-375U	ARMATURE ASS'Y 115V	1	INCLUD.9,11,17 - 19
*	13	360-375E	ARMATURE 220V - 240V	1	
14	308-537	FAN GUIDE	1		
15	982-021	HEX. HD. TAPPING SCREW D4X70	2		
*	16	340-339C	STATOR 110V	1	
*	16	340-339D	STATOR 115V	1	
*	16	340-339E	STATOR 220V - 240V	1	
17	311-737	THRUST WASHER	1		
18	311-435	DUST SEAL (A)	1		
19	608-VVM	BALL BEARING 608VVMC2EPS2L	1		
20	301-943	LOCK PIN	1		
21	308-540	GEAR	1		
22	991-207	SEAL LOCK SCREW (W/SP. WASHER) M4X8	3		
23	936-680	BEARING COVER (B)	1		
24	620-1DD	BALL BEARING 6201DDUCMAV2S	1		
25	308-546	FELT PACKING	1		
26	308-547	SEAL PACKING	1		
27	308-545	PACKING GLAND	1		
28	307-046	SEAL LOCK SCREW (W/SP. WASHER) M5X16	4		
29	944-109	FEATHER KEY 3X3X8	1		
*	30	994-301	SPINDLE (A)	1	
*	30	994-302	SPINDLE (B)	1	FOR USA
31	311-492	LABEL	1		
32	311-744	SET PIN	1		
33	311-743	LEVER	1		
34	880-734	MACHINE SCREW (W/WASHERS) M5X25 (BLACK)	1		
35	311-491	SET PIECE (B)	1		
36	874-759	RETAINING RING (E - TYPE) FOR D2.5 SHAFT	1		
37	311-745	WHEEL GUARD ASS'Y	1	INCLUD.31 - 36	
*	38	937-817Z	WHEEL WASHER	1	
*	38	937-922P	WHEEL WASHER (B) FOR D5/8" HOLE	1	FOR USA
39	937-819Z	D. C. WHEELS 115MM A38Q (10 PCS.)	1		
*	40	994-324	WHEEL NUT M14	1	
*	40	937-923P	WHEEL NUT 5/8" - 11UNC	1	FOR USA
41	308-539	GEAR ASS'Y	1	INCLUD.6,21	
*	42		HITACHI LABEL	1	
43	308-559	HOUSING	1		
44		NAME PLATE	1		

\*: ALTERNATIVE PARTS



