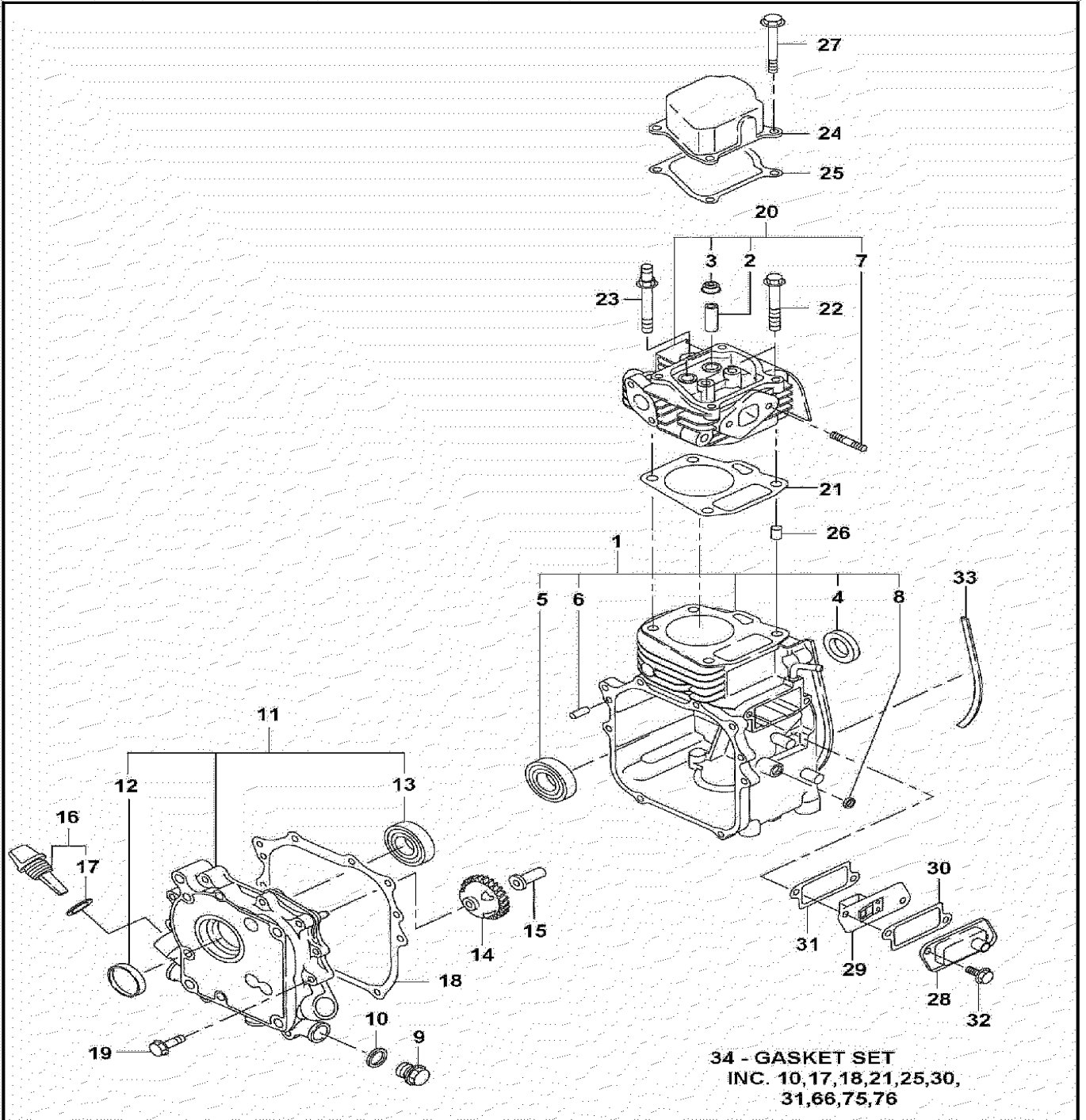




G1100,G1700I

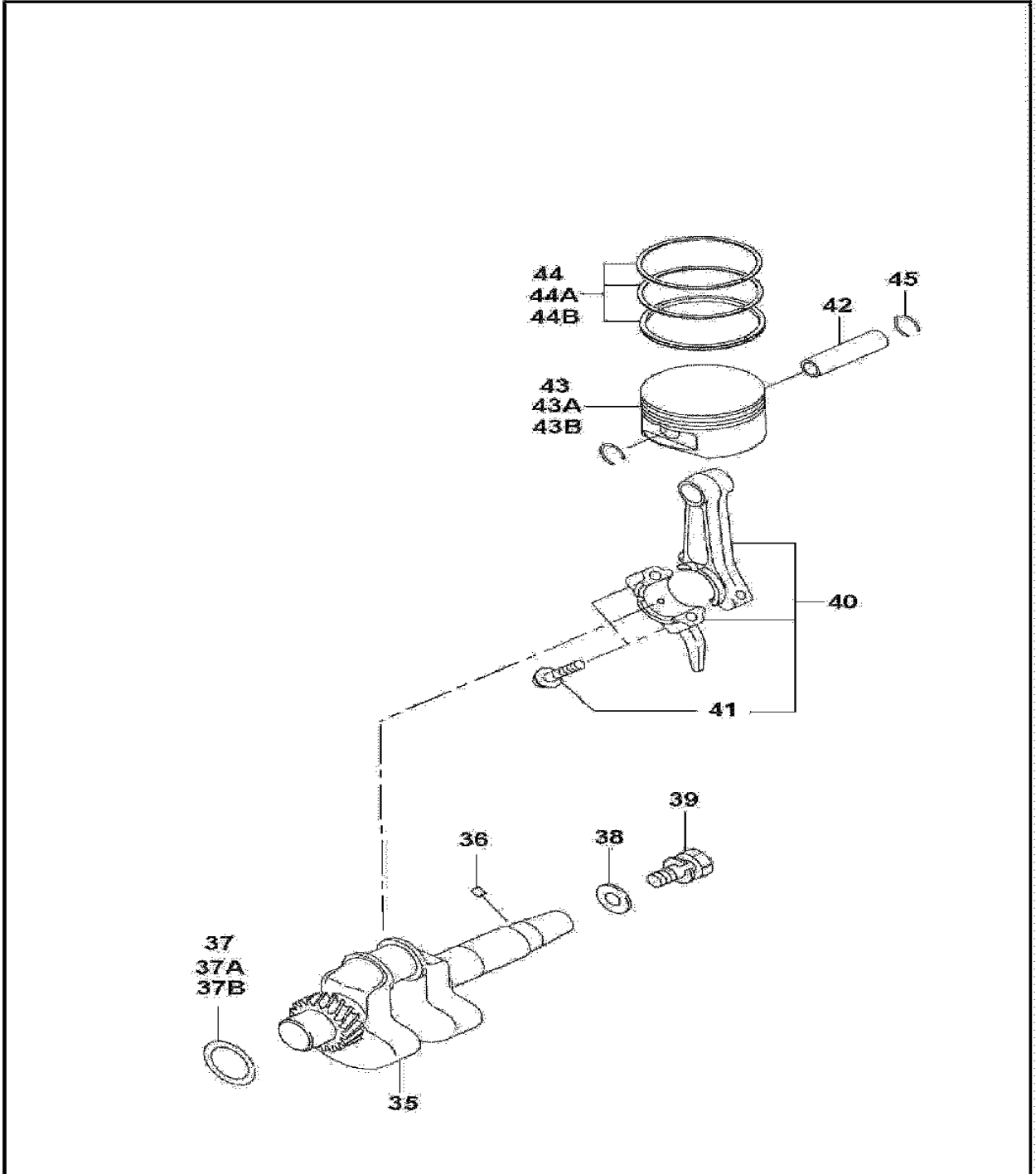
1/13

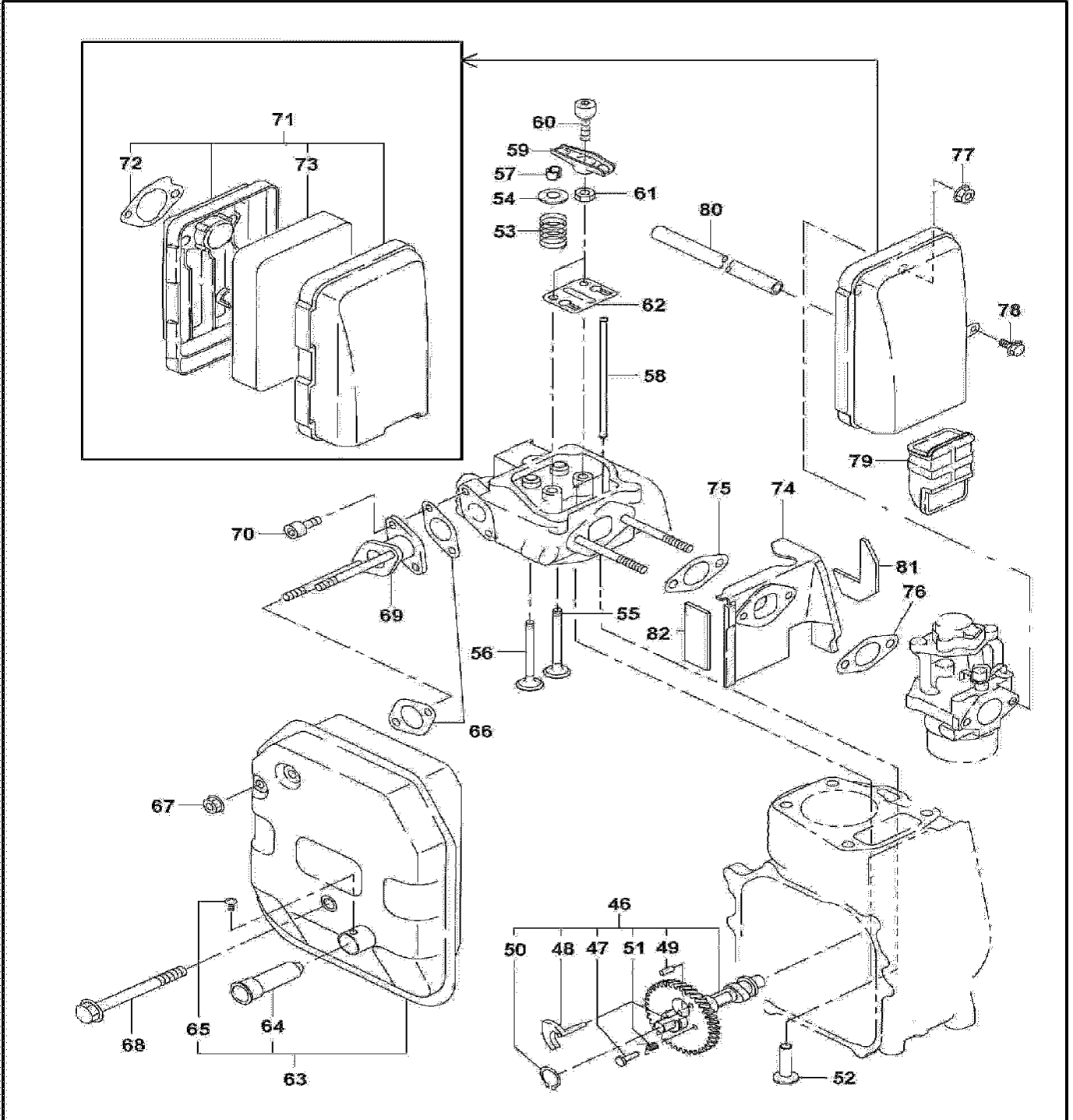


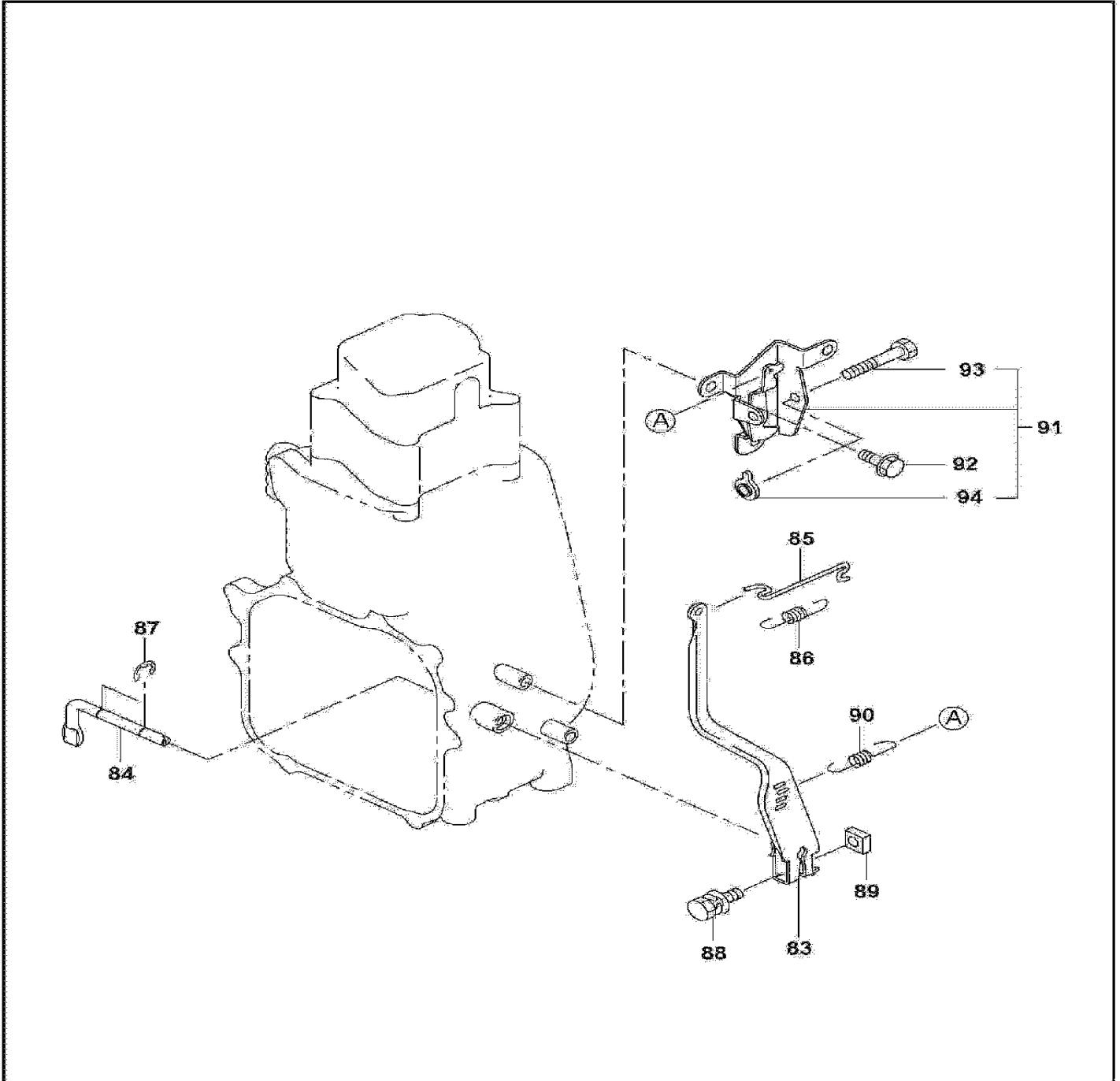


G1100, G1700I

2/13



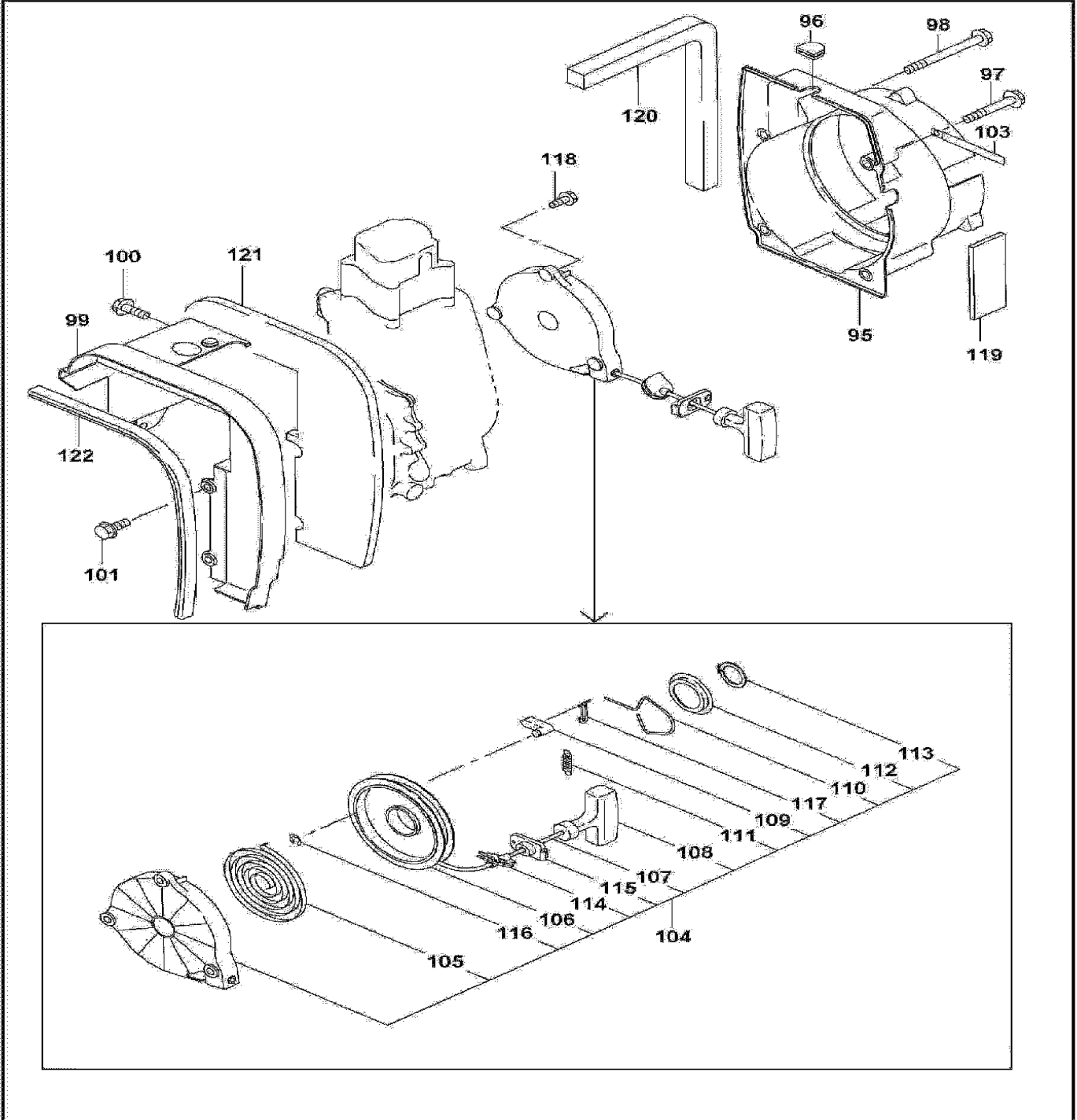






G1100

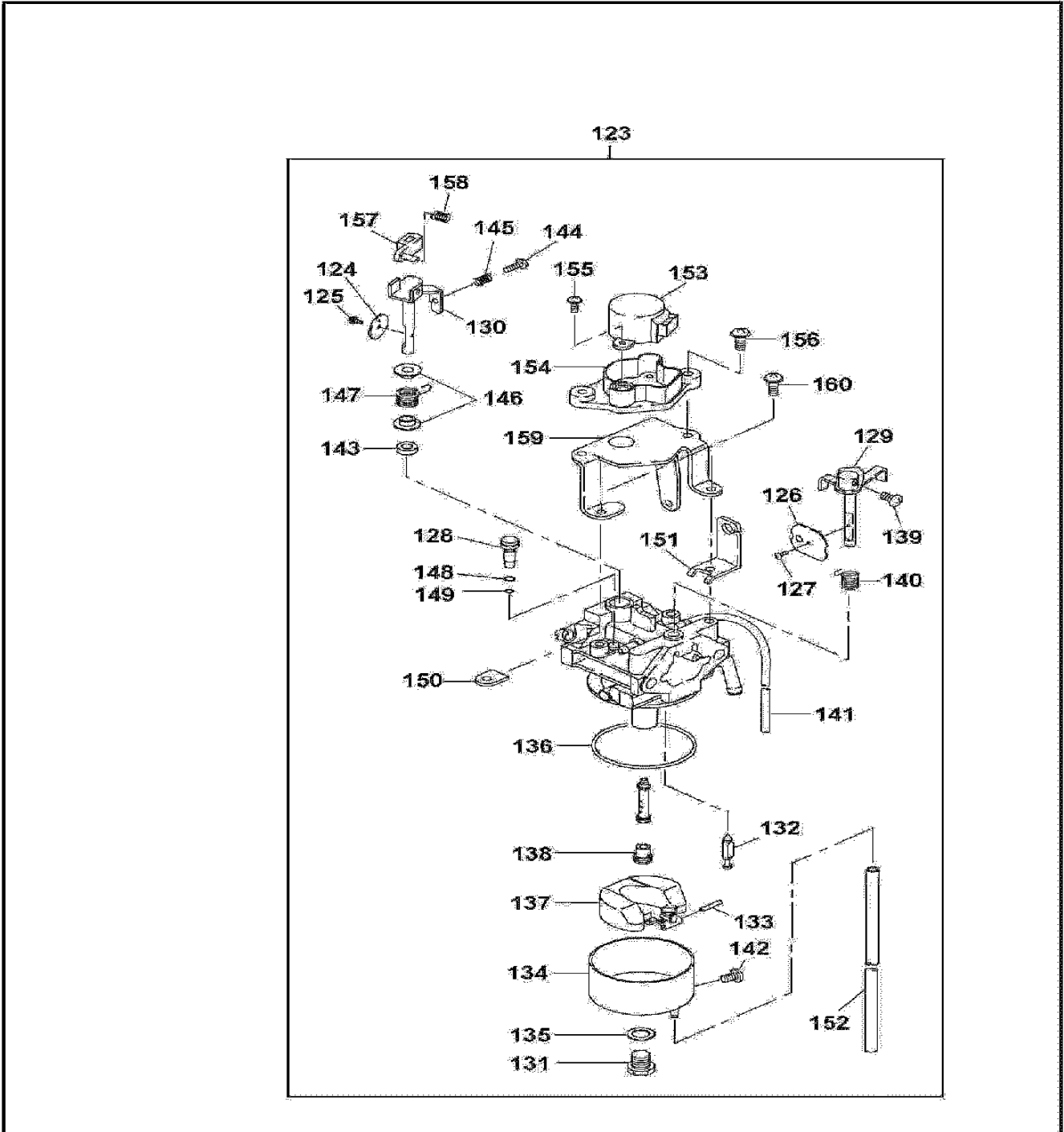
5/13





G1100

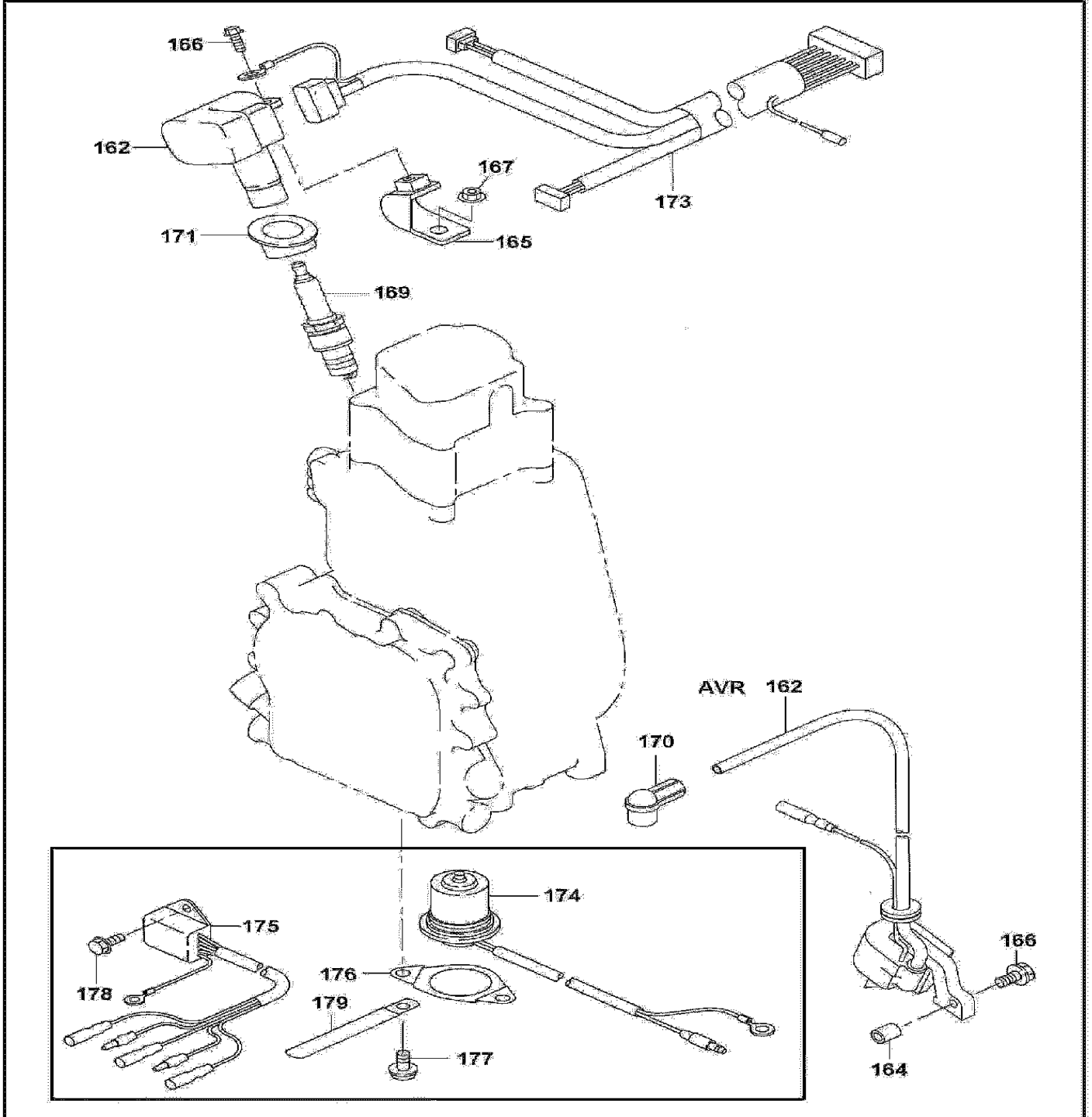
6/13





G1100

7/13

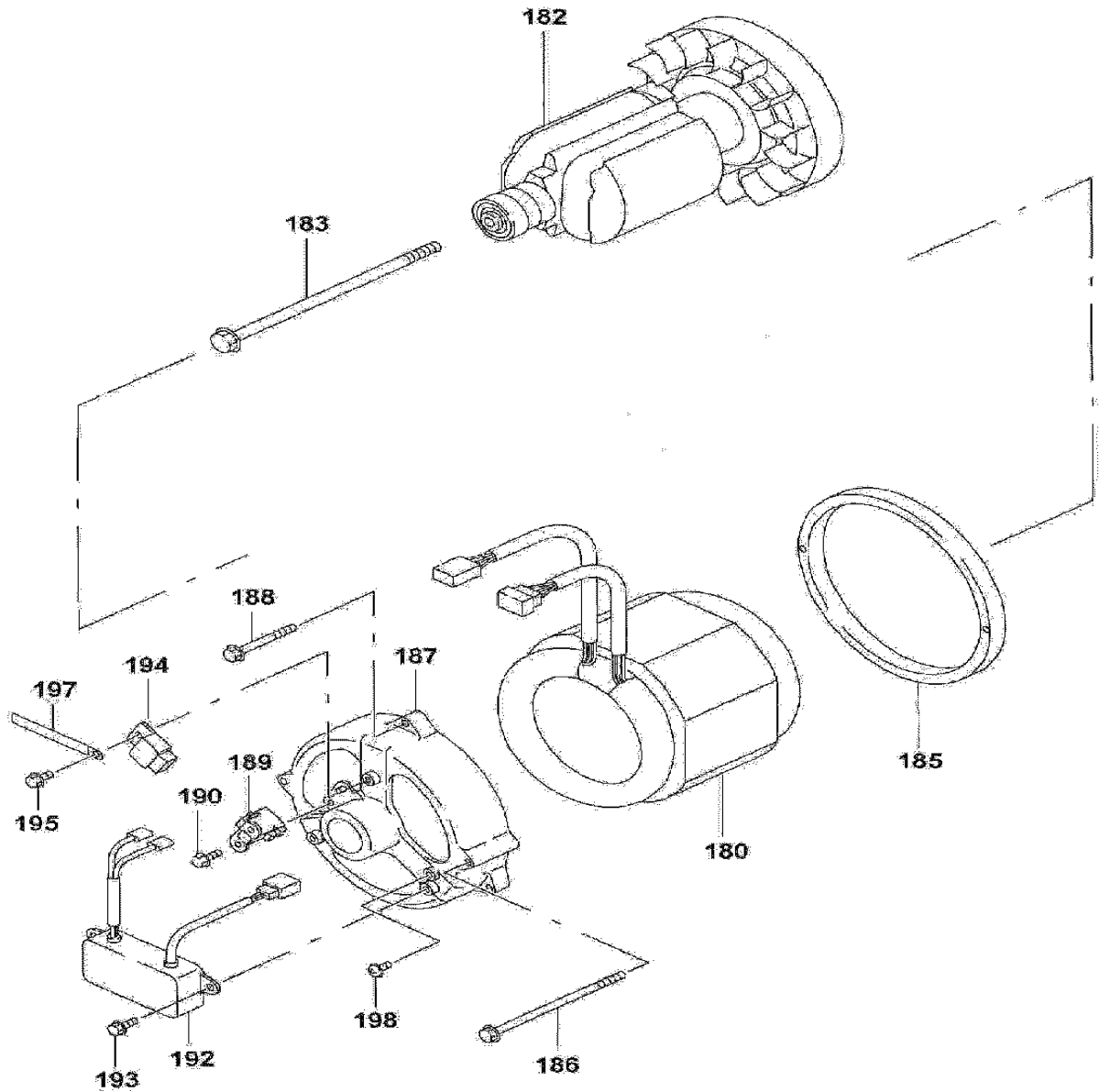




G1100

8/13

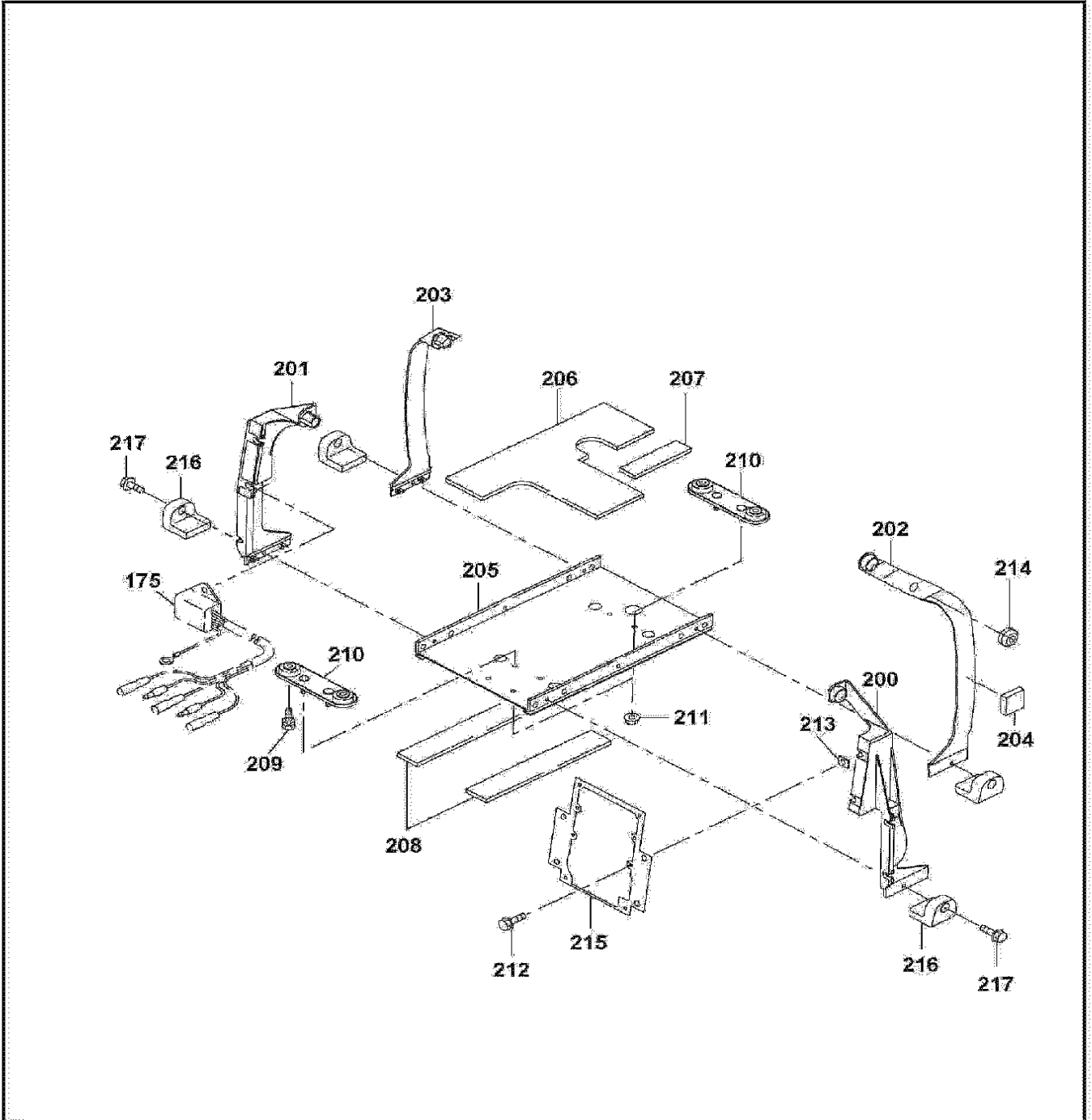
AVR type





G1100,G1700I

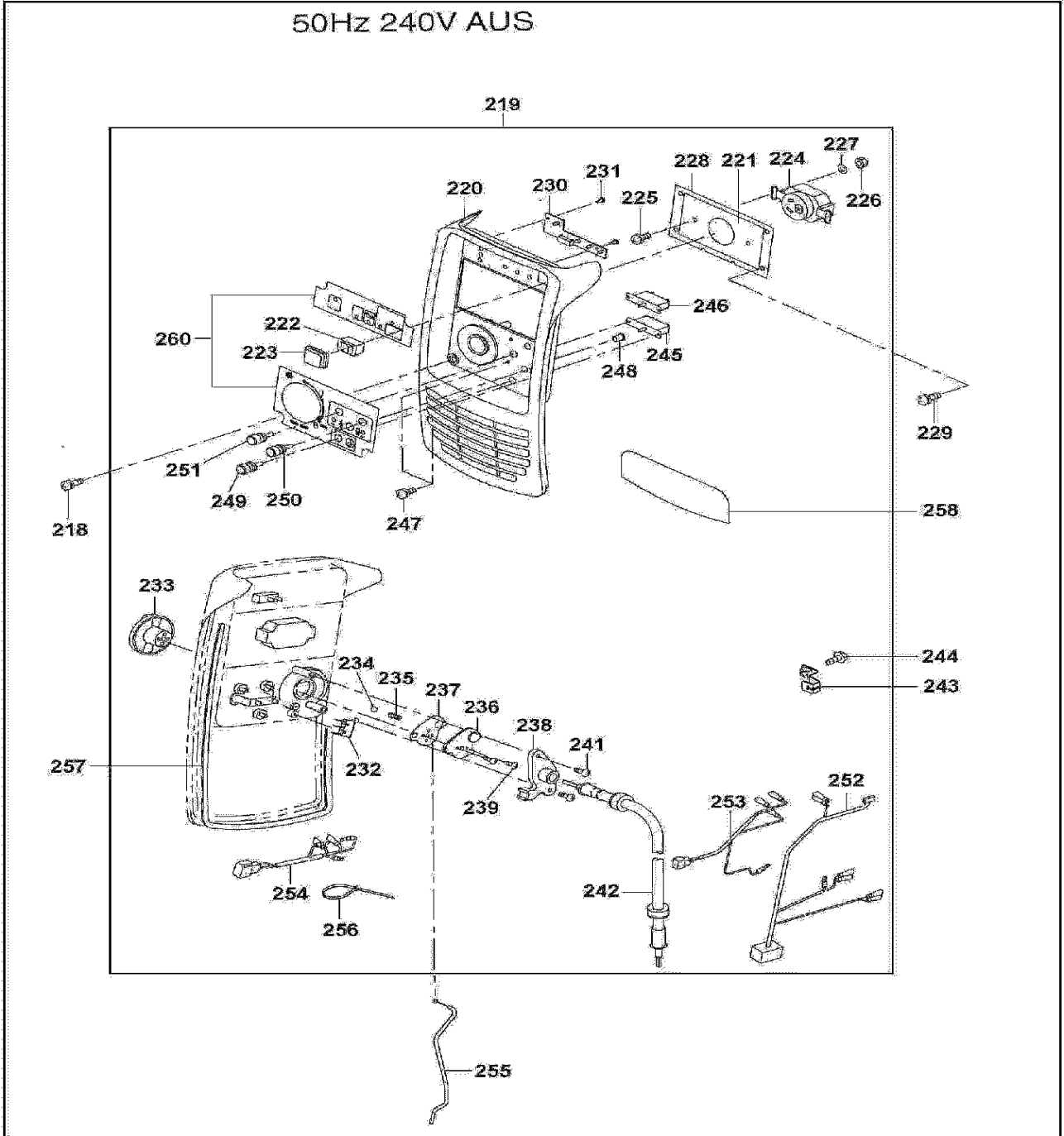
9/13





G1100

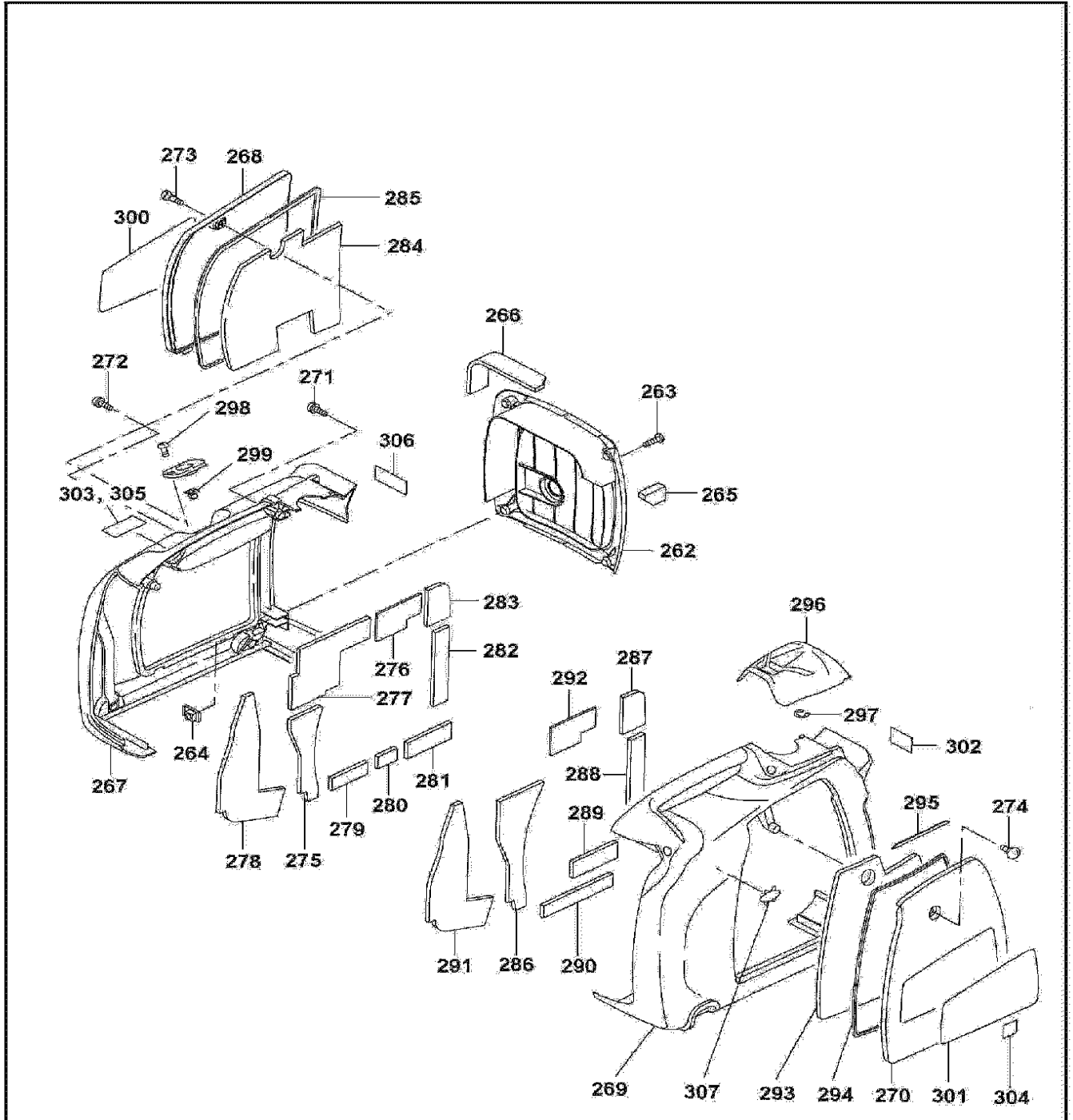
10/13





G1100,G1700I

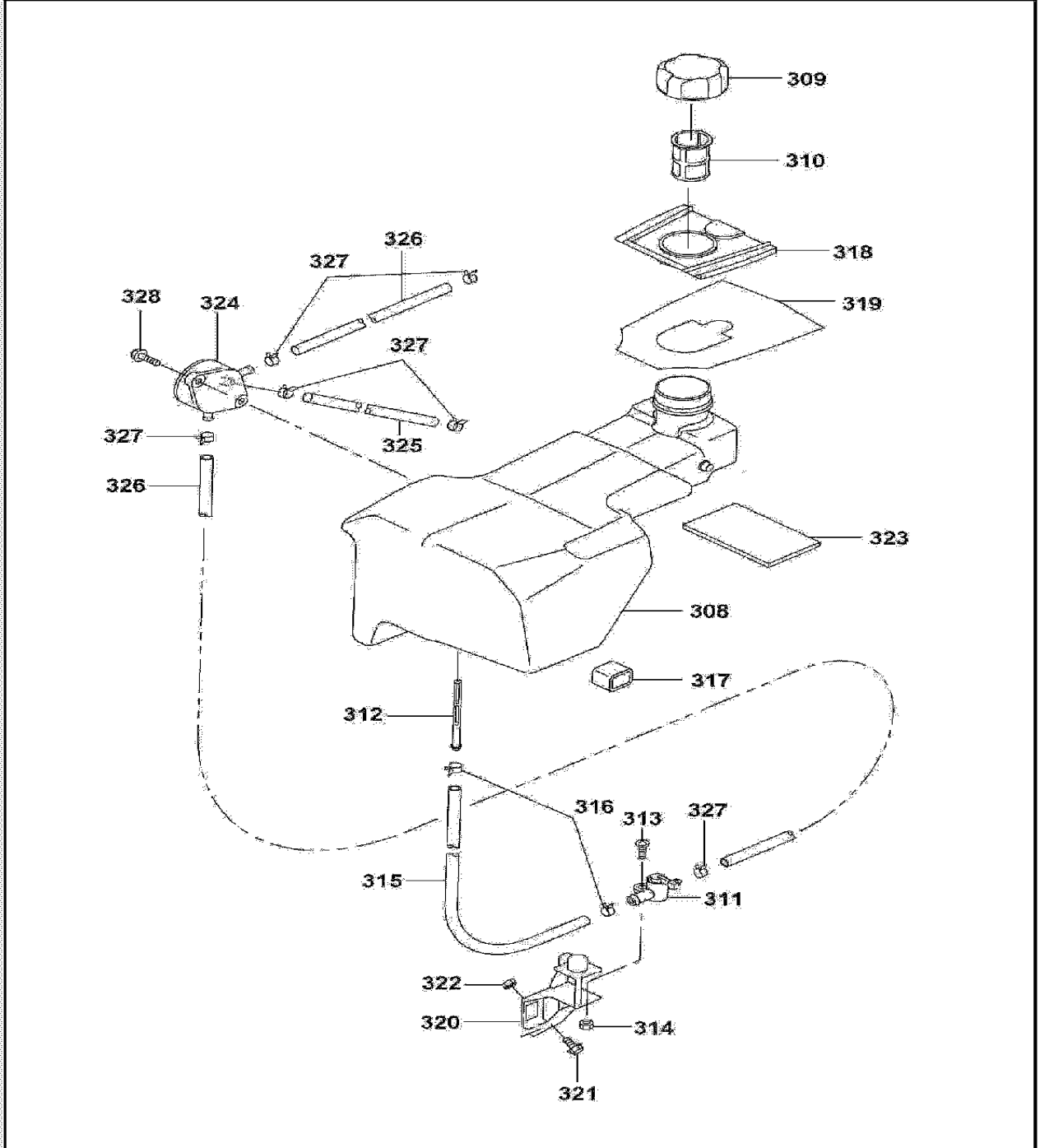
11/13





G1100,G1700I

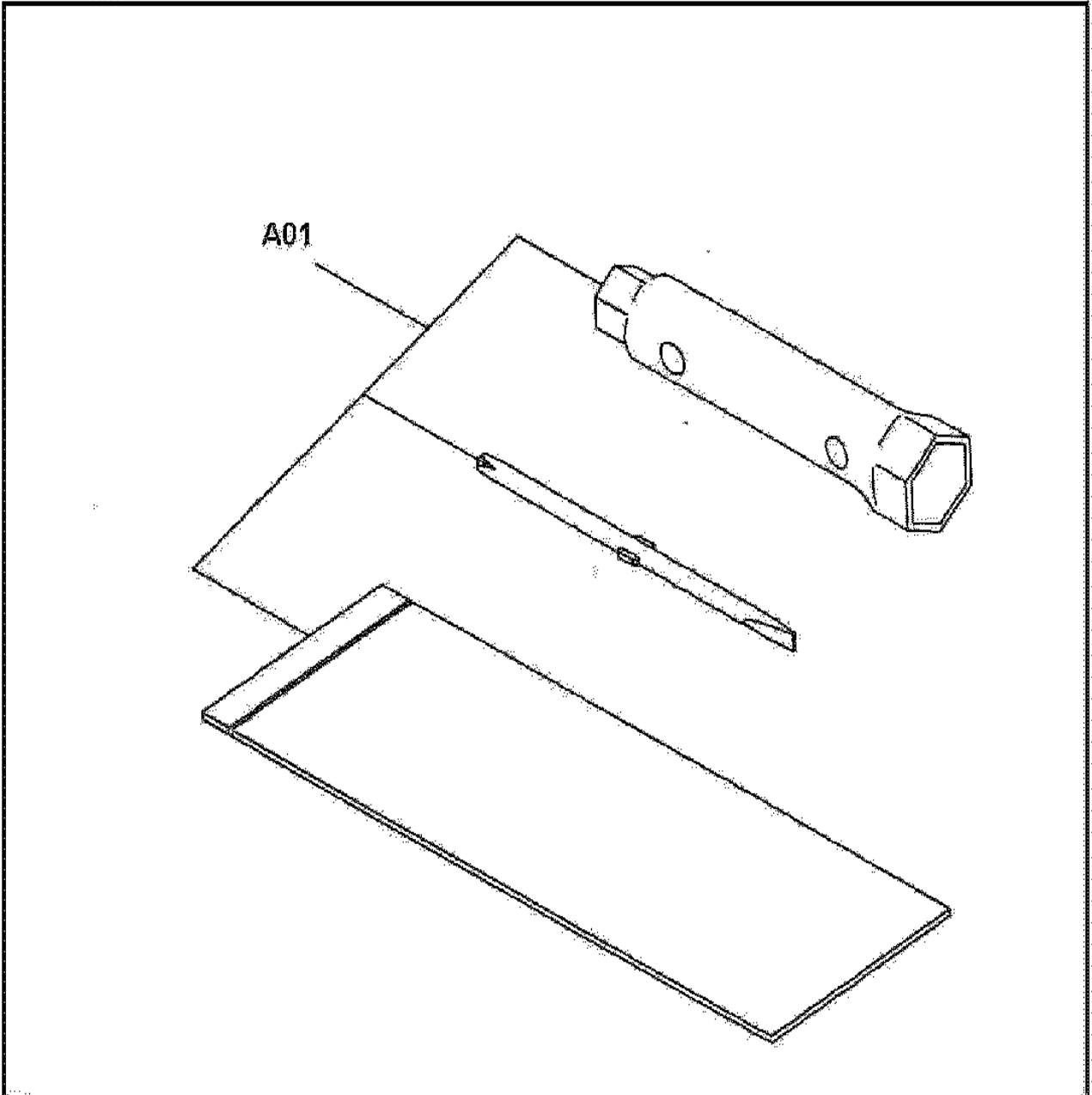
12/13





G1100,G1700I

13/13





Parts Breakdown

G1100

Products with multiple versions are listed in subsiding order with the newest version on top not indented

<u>Fig #</u>	<u>Part ID</u>	<u>Part Name</u>	<u>Quantity</u>
1	284-10103-01	CRANKCASE CPL., G1100	1
2	237-14202-03	VALVE GUIDE(OVER SIZE), G2800R	2
3	277-16010-01	STEM SEAL, G1100	1
4	044-02000-70	OIL SEAL, G1100	1
5	060-02001-40	BALL BEARING, G1100	1
6	031-00600-20	DOWEL PIN, G2800R	2
7	010-50604-20	STUD, G1100	2
8	044-00600-20	OIL SEAL, G1100	1
9	040-11400-30	PLUG, G2800R	1
10	021-11400-20	GASKET, G2800R	1
11	284-11201-01	MAIN BEARING COVER CPL.,G1100	1
11	284-11201-11	MAIN BEARING COVER CPL., G1100	1
12	230-17102-03	PLUG (RUBBER), G1100	1
13	060-02001-40	BALL BEARING, G1100	1
14	284-45003-01	GOVERNOR GEAR CPL.,G1100	1
15	205-41901-03	GOVERNOR SLEEVE, G2800R	1
16	230-63601-01	OIL GAUGE CPL.,G1100	1
16	2306360111	N/A	1
17	021-31600-20	GASKET, G2800R	1
17	2776360108	N/A	1
17	X213160020	N/A	1
18	284-16003-03	GASKET(ERING COVER), G1100	1
19	011-00601-01	FLANGE BOLT, G1100	8
20	20F1300311	N/A	1
20	284-13003-01	CYLINDER HEAD CPL.,G1100	1
20	2841300311	N/A	1
21	284-15001-03	GASKET (HEAD), G1100	1
21	284-15001-13	GASKET (HEAD), G1100	1
22	011-00802-10	FLANGE BOLT, G1100	2
22	011-00802-10	FLANGE BOLT, G1100	3
23	011-00803-01	FLANGE BOLT, G1100	1
24	284-15501-03	ROCKER COVER, G1100	1
25	284-16004-03	GASKET (ROCKER COVER), G1100	1
25	2841600703	N/A	1
26	277-15011-03	PIPE KNOCK, G1100	2
27	011-00604-20	FLANGE BOLT, G1100	4
28	284-14301-01	BREATHER COVER CPL.,G1100	1
29	284-14401-01	BREATHER PLATE CPL.,G1100	1
30	230-16006-13	GASKET, G1100	1
31	230-16007-03	GASKET, G1100	1
32	011-00600-20	FLANGE BOLT, G6100R	2
33	33K-58317-03	SPONGE CRANK, G1100	1
34	284-99002-07	GASKET SET, G1100	1
34	284-99002-17	GASKET SET, G1100	1
35	284-20501-01	CRANKSHAFT CPL.,G1100	1
35	284-20501-11	CRANKSHAFT, G1100	1
36	031-00400-10	DOWEL PIN, G1100	1
37	023-02001-00	SPACER T=0.8, G1100	1
37	023-02001-10	SPACER T=1.0, G1100	1
37	023-02001-20	SPACER T=1.2, G1100	1
38	020-00800-30	WASHER, G2400R	1
39	001-11082-50	BOLT & WASHER ASS'Y, G1100	1
39	001-14082-50	BOLT & WASHER ASSY(M8X25),EW210TR	1
40	284-22501-20	CONNECTING ROD ASS'Y, G1100	1
40	2842250130	N/A	1
41	284-23001-03	CONNECTING ROD BOLT, G1100	2
42	230-23301-03	PISTON PIN, G1100	1
43	274-23401-03	PISTON 51DX31H, G1100	1
43	274-23402-03	PISTON 0.25, G1100	1
43	274-23403-03	PISTON 0.50, G1100	1
43	28423401H3	N/A	1
43	28423402H3	N/A	1
43	28423403H3	N/A	1
44	274-23502-07	PISTON RING SET 0.25, G1100	1



Parts Breakdown

G1100

44	274-23503-07	PISTON RING SET 0.50, G1100	1
44	284-23501-07	PISTON RING SET STD.,G1100	1
45	056-51100-10	CLIP, G1100	2
46	284-31701-11	CAMSHAFT CPL.,G1100	1
47	227-38601-23	PIN, G1100	1
48	284-36401-03	RELEASE LEVER, G1100	1
49	005-19041-00	SPRING PIN, G5710R	1
50	003-15170-00	OUTER SNAP RING, G1100	1
51	274-38701-23	RETURN SPRING, G1100	1
52	274-33301-03	TAPPET, G1100	2
53	274-33601-03	VALVE SPRING, G1100	2
54	274-33702-03	SPRING RETAINER, G1100	2
55	274-33401-03	INTAKE VALVE, G1100	1
55	28433401H3	N/A	1
56	274-33501-03	EXHAUST VALVE, G1100	1
56	28433501H3	N/A	1
57	132-10KA0-31	COLLET VALVE, G2800R	4
58	274-35301-03	PUSH ROD, G1100	2
59	274-36003-03	ROCKER ARM, G1100	2
60	269-35801-03	BOLT (PIVOT), G4100R	2
61	017-00600-90	NUT, G4100R	2
62	274-36501-03	GUIDE PLATE, G1100	1
63	284-30201-00	MUFFLER ASS'Y, G1100	1
63	284-30201-10	MUFFLER ASS'Y, G1100	1
63	2843020120	N/A	1
64	269-37601-01	SPARK ARRESTER COMPL., EW210TR	1
65	015-00400-60	TAPPING SCREW, G5710R	1
66	230-35204-01	GASKET CPL.,(EXHAUST), G1100	2
67	002-38060-00	FLANGE NUT, G6101R	2
67	018-00600-30	FLANGE NUT M6, G1100	2
68	011-00801-10	FLANGE BOLT (M8X80MM), G12000R	1
69	284-34101-03	EXHAUST PIPE, G1100	1
69	2843410113	N/A	1
70	001-14061-60	BOLT & WASHER, G2800R	2
70	011-90600-20	S.H. BOLT, G1100	2
71	284-32630-00	AIR CLEANER ASS'Y, G1100	1
72	227-36004-13	GASKET, G1300R	1
73	284-32631-08	ELEMENT, G1100	1
74	284-32903-03	INSULATOR, G1100	1
75	227-35902-03	GASKET 2 INSULATOR, G1100	1
75	282-35901-03	GASKET, G1100	1
76	1573500103	N/A	1
76	236-35903-03	GASKET 2 (INSULATOR), G2800R	1
77	002-38060-00	FLANGE NUT, G6101R	2
78	011-00601-80	FLANGE BOLT, G2410R	1
79	284-32101-03	DUCT, G1100	1
80	085-10800-00	RUBBER PIPE, G2800R	1
81	33K-58315-03	SPONGE INS, G1100	1
81	33K-58315-13	SPONGE INSULATOR, G1100	1
82	33K-58321-03	SPONGE INS 2, G1100	1
82	33K-58321-13	SPONGE INSULATOR 2, G1100	1
83	284-42302-01	GOVERNOR LEVER, G1100	1
83	284-42302-21	GOVERNOR LEVER, G1100	1
84	230-42201-03	GOVERNOR SHAFT, G1100	1
85	105-42701-11	GOVERNOR ROD, G1100	1
85	234-42703-11	GOVERNOR ROD, G6100R	1
86	227-42801-03	ROD SPRING, G1100	1
86	284-42803-03	ROD SPRING, G1100	1
87	003-13050-00	CLIP, G1100	2
88	001-14062-50	BOLT & WASHER, G2800R	1
89	018-60600-20	NUT, G2800R	1
90	284-42501-13	GOVERNOR SPRING, G1100	1
90	284-42504-03	GOVERNOR SPRING, G1100	1
91	284-46200-00	CONTROL BRACKET, G1100	1
92	011-00600-10	FLANGE BOLT, G6100R	2
93	001-06063-50	BOLT, G1100	1
93	001-65063-50	BOLT, G1100	1



Parts Breakdown

G1100

94	230-49002-01	ADJUSTING NUT, G1100	1
95	284-51201-03	BLOWER HOUSING, G1100	1
96	284-55501-03	GROMMET, G1100	1
97	011-00801-60	FLANGE BOLT, G1100	1
98	011-00803-02	FLANGE BOLT, G1100	3
99	284-53601-01	CYLINDER BAFFLE CPL.,G1100	1
100	001-03061-20	FLANGE BOLT, G1100	1
100	001-03081-60	FLANGE BOLT, G1100	3
100	011-00604-40	FLANGE BOLT, G1100	1
101	001-03061-20	FLANGE BOLT, G1100	1
101	011-00801-50	FLANGE BOLT, G2800L	3
103	056-60002-60	CLAMP, G5710R	1
104	284-50221-00	RECOIL STARTER ASS'Y, G1100	1
104	2845022110	N/A	1
105	284-50224-08	SPIRAL SPRING, G1100	1
106	284-50222-08	REEL, G1100	1
107	284-50233-08	ROPE, G1100	1
108	530-50021-10	STARTER KNOB, RBC260	1
109	284-50223-08	RACHET, G1100	1
110	284-50226-08	FRICTION SPRING, G1100	1
111	284-50227-08	RETURN SPRING, G1100	1
112	284-50225-08	FRICTION PLATE, G1100	1
112	284-50225-18	FRICTION PLATE, G1100	1
113	284-50231-08	RETAINING RING C TYP, G1100	1
114	284-56101-03	ROPE GUIDE, G1100	1
115	33K-53001-03	GUIDE CPL.,G1100	1
116	284-50229-08	RETAINING RING E TYP, G1100	1
117	284-50228-08	RACHET GUIDE, G1100	1
118	011-00601-40	FLANGE BOLT, G2410R	3
119	34K-40102-03	SEAL PLATE, G1100	2
120	284-51203-03	DEAL SPONGE B/H, G1100	1
120	33K-58312-03	SPONGE BAFFLE, G1100	1
121	284-53606-13	INSULATION SEAT B1, G1100	1
121	284-53606-23	INSULATION SEAT, G1100	1
121	33K-58313-03	SPONGE BAFFLE 2, G1100	1
122	284-53605-03	SEAL RUBBER, G1100	1
123	284-62301-00	CARBURETOR ASS'Y, G1100	1
123	284-62301-30	CARBURETOR, G1100	1
124	284-62535-08	THROTTLE VALVE, G1100	1
125	284-62455-08	SCREW, G1100	1
126	284-62525-08	CHOKE VALVE, G1100	1
127	284-62455-08	SCREW, G1100	1
128	284-62420-08	SLOW JET, G1100	1
129	284-62520-08	CHOKE LEVER, G1100	1
130	284-62530-08	THROTTLE SHAFT, G1100	1
130	2846253018	N/A	1
131	284-62355-08	BOLT, G1100	1
132	279-62500-08	VALVE ASS'Y, G1100	1
133	284-62515-08	PIN, G1100	1
134	284-62550-08	FLOAT BODY, G1100	1
135	251-62350-08	GASKET, G1100	1
136	284-62540-08	CHAMBER PACKING, G1100	1
137	284-62505-08	FLOAT ASS'Y, G1100	1
138	284-62400-08	MAIN JET, G1100	1
139	284-62456-08	SCREW, G1100	1
140	284-62445-08	CHOKE SPRING, G1100	1
141	284-62565-08	VINYL PIPE, G1100	1
142	251-62661-08	DRAIN SCREW, G1100	1
143	251-62559-08	BUSH, G1100	1
144	284-62353-08	ADJUST SCREW, G1100	1
145	279-62445-08	SPRING, G1100	1
146	284-62560-08	COLLAR, G1100	1
147	284-62315-08	SPRING, THROTTLE, G1100	1
148	284-62451-08	O RING, G1100	1
149	284-62450-08	O RING, G1100	1
150	284-62571-08	STOPPER PLATE, G1100	1
151	284-62570-08	BRACKET, G1100	1



Parts Breakdown

G1100

151	2846257018	N/A	1
152	284-62566-08	VINYL PIPE, G1100	1
152	2846256708	N/A	1
153	284-62580-08	MOTOR, G1100	1
154	284-62576-08	BRACKET (MOTOR), G1100	1
155	284-62458-08	SCREW, G1100	2
156	284-62457-08	SCREW, G1100	2
157	284-62555-08	JOINT LEVER, G1100	1
158	284-62446-08	SPRING, G1100	1
159	284-62575-08	BRACKET, G1100	1
160	284-62456-08	SCREW, G1100	2
162	284-79430-21	IGNITION COIL, G1100	1
162	284-79451-01	IGNITION COIL CPL.,G1100	1
164	023-00603-60	SPACER, G1100	2
165	284-79561-03	IGNITION COIL BRACKET, G1100	1
166	001-14064-50	BOLT & WASHER ASS'Y, G1100	2
167	002-38080-00	FLANGE NUT, G6100R	1
169	065-01403-80	SPARK PLUG NGK BMR4A, G1100	1
170	065-50000-51	SPARK PLUG CAP, EW310TR	1
171	284-75501-03	GROMMET (PLUG), G1100	1
173	34K-21101-03	ENGINE HARNESS, G1100	1
174	230-76301-11	OIL SENSOR, G1100	1
175	KU3-11041-01	FLOAT C/U CPL., G1100	1
175	KU3-11044-01	FLOAT C/U CPL., G1100	1
176	230-75801-03	SENSOR RETAINER, G1100	1
177	004-35061-00	SCREW & WASHER, G1300R	2
178	011-00600-20	FLANGE BOLT, G6100R	1
179	226-75101-03	CLAMP, G3510R	1
180	33K-22351-08	STATOR CPL.,G1100	1
182	33K-20902-08	ROTOR CPL.,G1100	1
183	33K-20906-08	BOLT, G1100	1
185	33K-20907-03	RING, G1100	1
186	33K-20905-08	FLANGE BOLT, G1100	2
187	33K-20903-08	REAR COVER, G1100	1
188	33K-20904-08	FLANGE BOLT, G1100	3
189	32B-23101-01	BRUSH CPL.,G1100	1
190	32B-21051-08	SCREW, G1100	1
192	32B-23001-00	AVR ASS'Y, G1100	1
193	32B-21051-08	SCREW, G1100	2
194	32B-23121-01	DIODE STACK, G1100	1
195	32B-21052-08	SCREW, G1100	4
197	32D-21060-08	CLAMP, G1100	3
198	32B-21053-08	SCREW, G1100	1
200	33K-37101-03	FRONT FRAME (R), G1100	1
201	33K-37201-03	FRONT FRAME (L), G1100	1
202	33K-37301-03	REAR FRAME (R), G1100	1
203	33K-37401-03	REAR FRAME (L), G1100	1
204	33K5841303	N/A	1
205	33K-30601-03	BASE, G1100	1
205	33K-30601-13	BASE, G1100	1
206	33K-58310-03	SPONGE BASE, G1100	1
207	33K-58311-03	SPONGE BASE 2, G1100	1
208	33K-58320-03	SPONGE BASE 3, G1100	2
209	001-14082-00	BOLT & WASHER, G2800R	4
210	33K-30101-01	MOUNT BASE CPL.,G1100	2
211	002-38060-00	FLANGE NUT, G6101R	4
212	011-00600-20	FLANGE BOLT, G6100R	4
213	33K-38001-03	NUT, G1100	8
214	33K-38005-03	GROMMET (REAR FRAME), G1100	2
215	33K-37601-03	BACK PANEL CPL.,G1100	1
216	33K-36101-01	MOUNT CPL.,G1100	4
217	011-00601-80	FLANGE BOLT, G2410R	4
218	014-00501-00	SCREW, G1100	4
219	33K-48091-00	CONTROL PANEL ASS'Y, G1100	1
219	33K-48091-40	CONTROL PANEL ASS'Y, G1100	1
220	33K-40101-03	FRONT PANEL, G1100	1
220	33K4010113	N/A	1



Parts Breakdown

G1100

221	33K-48906-03	FILM, G1100	1
222	33B4000708	N/A	1
222	34K-41812-03	ROCKER SWITCH, G1100	1
223	33K-41810-03	SWITCH COVER, G1100	1
224	33K4995101	N/A	1
224	388-85003-01	AC RECEPTACLE (125V-20A),G6101R	1
225	351-49920-08	SCREW & WASHER ASSY(M4X10MM)G12000R	2
226	002-17040-00	NUT, G2800R	2
228	33K-40706-03	CONSENT BRACKET, G1100	1
228	33K-40706-13	CONSENT BRACKET, G1100	1
229	013-10400-60	SCREW & WASHER ASS'Y, G1100	4
230	KD3-11011-01	LED INDICATOR CPL.,G1100	1
230	KD3-11011-11	LED INDICATOR CPL., G1100	1
231	015-00300-20	TAPPING SCREW, G1100	2
232	33K-41811-03	MICRO SWITCH, G1100	1
233	33K-42010-03	CONTROL DIAL, G1100	1
234	33K-42071-03	BALL (DIAL), G1100	1
235	33K-42073-03	SPRING (DIAL), G1100	1
235	33K-42074-03	SPRING (DIAL), G1100	1
236	33K-42020-03	CHOKE REEL, G1100	1
237	33K-42030-03	PLATE, G1100	1
237	33K-42030-13	PLATE, G2800L	1
237	33K-42030-23	PLATE, G2800L	1
238	33K42040-03	WIRE PLATE, G1100	1
239	015-00300-10	TAPPING SCREW, G3501R	2
239	015-00400-70	TAPPING SCREW, G2800R	2
240	015-00400-90	TAPPING SCREW, G3510R	2
240	33K-41814-08	TAPPING SCREW, G2800L	2
242	33K-42050-01	ROLLING WIRE CPL.,G1100	1
242	33K-42050-11	ROLLING WIRE CPL., G1100	1
243	33K-42080-03	CHOKE BRACKET, G1100	1
244	011-00600-10	FLANGE BOLT, G6100R	1
245	33K-41833-03	CIRCUIT BREAKER (DC), G1100	1
245	352-45620-08	CIRCUIT BREAKER (10A), G2400R	1
246	33K-41831-03	CIRCUIT BREAKER, G1100	1
247	013-10300-10	SCREW & WASHER ASS'Y, G1100	4
248	33K-41817-03	BREAKER CAP, G1100	2
249	33K-42090-01	TERMINAL BOLT BLK/RED,G1100	1
249	33K-42090-01	TERMINAL BOLT BLK/RED,G1100	1
250	363-45701-08	TERMINAL BOLT(RED), G2800R	1
251	363-45700-08	TERMINAL BOLT (BLK),G2800R	1
252	33K-41821-03	PANEL HARNESS, G1100	1
252	33K-41825-01	PANEL HARNESS, G1100	1
253	33K-41815-01	CONSENT HARNESS, G1100	1
253	33K-41815-03	CONCENT HARNESS, G1100	1
254	34K-41816-03	DC OUT HARNESS, G1100	1
254	34K-41816-13	DC OUT HARNESS, G1100	1
255	33K-42060-01	CHOKE WIRE CPL.,G1100	1
255	33K-42060-21	CHOKE WIRE CPL., G1100	1
256	056-30000-20	WIRE BAND, G2400R	4
257	33K-58411-03	SEAL SPONGE F, G1100	1
258	33K-93050-03	LABEL (FRONT), G1100	1
259	34K-95102-03	LABEL 2(FRONT), G1100	1
260	33K-40230-03	FILM INVERTER, G1100	1
260	33K-40270-03	FILM AVR, G1100	1
262	33K-50201-03	REAR COVER, G1100	1
263	013-10600-30	SCREW & WASHER ASS'Y, G1100	4
264	33K-50205-01	NUT, G1100	4
264	33K-50205-03	NUT, G1100	4
265	33K-58318-03	REAR COVER SPONGE 1, G1100	2
265	33K-58318-13	REAR COVER SPONGE 1, G1100	2
266	33K-58319-03	REAR COVER SPONGE 2, G1100	1
266	33K-58319-13	REAR COVER SPONGE 2, G1100	1
267	33K-51301-03	CASE BODY R, G1100	1
267	33K-51301-13	CASE BODY L, G1100	1
268	33K-51311-03	SIDE PANEL L, G1100	1
269	33K-51401-03	CASE BODY L, G1100	1



Parts Breakdown

G1100

269	33K-51401-13	CASE BODY R, G1100	1
270	33K-51411-03	SIDE PANEL R, G1100	1
271	004-36062-50	SCREW & WASHER ASS'Y, G1100	2
272	004-36062-00	SCREW ASSEMBLY, RBL500	1
273	33K-50501-03	BOLT (PANEL), G1100	1
274	33K-50501-03	BOLT (PANEL), G1100	1
275	33K-58301-03	SPONGE CASE L, G1100	1
276	33K-58307-03	SPONGE CASE L 5, G1100	1
277	33K-58305-03	SPONGE CASE L 3, G1100	1
277	33K5830513	N/A	1
278	33K-58304-03	SPONGE CASE R 2, G1100	1
278	33K-58304-03	SPONGE CASE R 2, G1100	1
279	33K-58308-03	SPONGE CASE L 6, G1100	1
280	33K-58309-03	SPONGE CASE L 7, G1100	1
281	33K-58408-03	SPONGE CASE R 6, G1100	1
282	33K-58409-03	SPONGE CASE R 7, G1100	1
283	33K-58306-03	SPONGE CASE L 4, G1100	1
284	33K-58302-03	SPONGE PANEL L, G1100	1
285	33K-58303-03	SEAL SPONGE L, G1100	1
286	33K-58401-03	SPONGE CASE R, G1100	1
287	33K-58406-03	SPONGE CASE R 4, G1100	1
288	33K-58409-03	SPONGE CASE R 7, G1100	1
289	33K-58408-03	SPONGE CASE R 6, G1100	1
290	33K-58407-03	SPONGE CASE R 5, G1100	1
291	33K-58404-03	SPONGE CASE R 2, G1100	1
292	33K-58405-03	SPONGE CASE R 3, G1100	1
292	33K5840513	N/A	1
293	33K-58402-03	SPONGE PANEL R, G1100	1
294	33K-58403-03	SEAL SPONGE R, G1100	1
295	33K-58410-03	SEAL SPONGE R 2, G1100	1
296	33K-55101-03	TANK CAP COVER, G1100	1
296	33K-55101-13	TANK CAP COVER, G1100	1
297	003-13060-00	CLIP, G2800R	1
298	015-00400-90	TAPPING SCREW, G3510R	1
299	33K-53002-03	SCREW GROMMET, G1100	1
300	33K-90040-03	LABEL R (MODEL), G1100	1
300	33K-90040-13	LABEL (MODEL), G1100	1
301	33K-91040-03	LABEL L (MODEL), G1100	1
301	33K-91040-13	LABEL MODEL (L), G1100	1
302	33K-92040-03	LABEL SPEC, G1100	1
303	33K-94004-03	CAUTION LABEL, G1100	1
303	33K-94004-13	LABEL (CAUTION), G1100	1
304	073-20045-20	LABEL(OIL CAUTION), EW210TR	1
305	073-20045-10	LABEL(SUMBOL-TANK),G1100	1
306	073-20045-00	LABEL (HOT & GAS), G1100	1
307	34K-92110-03	LABEL E-CON, G1100	1
308	33K-61101-02	FUEL TANK UNIT, G1100	1
308	33K-61101-12	FUEL TAND UNIT, G1100	1
308	33K-61101-22	FUEL TANK, G1100	1
308	33K6110132	N/A	1
309	33K-65001-01	FUEL TANK CAP CPL.,G1100	1
309	33K-65010-00	FUEL TANK CAP CPL., G1100	1
310	33K-61201-H1	FUEL FILTER CPL.,G1100	1
310	33K-61201-J1	FUEL FILTER CPL., G1100	1
311	33K-63001-00	FUEL COCK ASS'Y, G1100	1
311	33K-63001-10	FUEL COCK ASS'Y, G1100	1
312	33K-61401-01	FUEL STRAINER, G1100	1
313	004-36051-20	SCREW ASSEMBLY M5X12, RBC230	1
314	002-18050-00	NUT, RBC225	1
315	33K-62250-03	RUBBER PIPE, G1100	1
316	056-11300-10	HOSE CLAMP, G1100	2
317	33K-64101-03	TANK MOUNT, G1100	2
318	33K-64001-03	NECK RUBBER, G1100	1
318	33K-64001-13	NECK RUBBER, G1100	1
319	33K-64201-03	NECK RUBBER 2, G1100	1
320	33K-63002-03	FUEL COCK BRACKET, G1100	1
321	011-00600-20	FLANGE BOLT, G6100R	1



Parts Breakdown

G1100

321	011-00600-30	FLANGE BOLT, G2800R	1
322	002-17060-00	NUT, G3511R	1
322	002-19060-00	NUT, G2400R	1
323	33K-58412-03	TANK SPONGE, G1100	1
323	33K-58412-13	TANK SPONGE 80X45X5, G1100	1
324	33K-62201-00	FUEL PUMP CPL.,G1100	1
325	085-10600-00	RUBBER PIPE, G2410R,1M	1
326	085-10600-00	RUBBER PIPE, G2410R,1M	2
327	056-11100-20	HOSE CLAMP, G2800R	5
327	056-11100-20	HOSE CLAMP, G2800R	6
328	015-00600-20	TAPPING SCREW, G1100	2
329	010-00804-20	BOLT, G1100	1
330	020-00802-10	WASHER, G1100	1
331	284-32904-01	STAY BAFFLE CPL., G1100	1
332	277-46701-03	GASKET (CHOKE), G2800L	1
333	023-00603-70	SPACER, G1100	1
334	284-53603-03	CYLINDER BAFFLE (E/G), G1100	1
335	284-53609-03	SEAL SPONGE BAFFLE 2, G1100	1
336	284-53610-03	SEAL SPONGE BAFFLE 3, G1100	2
337	33K-58323-03	SPONGE BAFFLE 4, G1100	1
338	284-53608-03	SEAL SPONGE BAFFLE, G1100	1
339	085-09300-00	VINYL PIPE, G1100	1
340	085-09300-00	VINYL PIPE, G1100	1
341	085-09300-00	VINYL PIPE, G1100	1
342	284-67101-03	Y CONNECTOR, G1100	1
343	056-90000-20	PURSE LOCK ASS'Y, G1100	1
344	284-79591-11	OIL SENSOR HARNESS CPL., G1100	1
346	33K-58322-03	REAR COVER SPONGE 3, G1100	1
347	33K-58324-03	REAR COVER SPONGE 4, G1100	1
348	013-10400-91	SCREW WASHER AY, G1100	1
349	018-00400-00	FLANGE NUT, G1100	1
351	056-11000-30	HOSE CLAMP, G2400R	1
352	2846256308	N/A	1
1,001	33K9900100	ACC'Y TOOL KIT, G1100	1