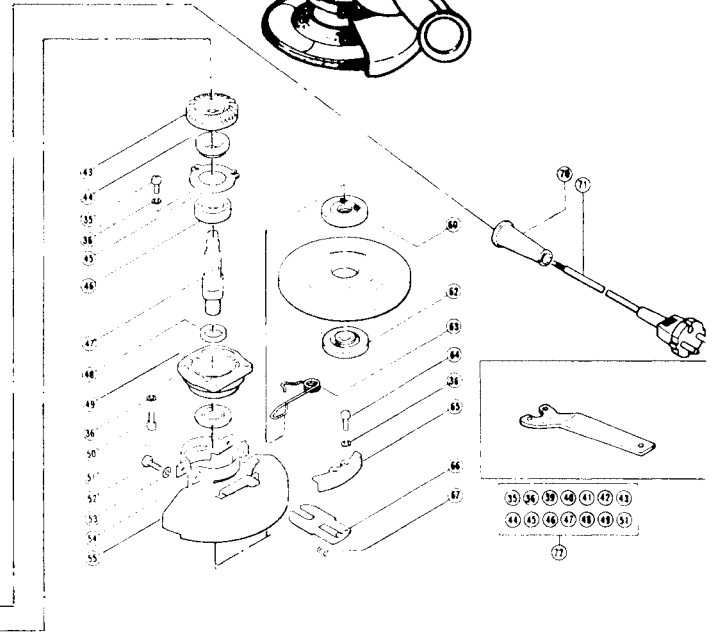
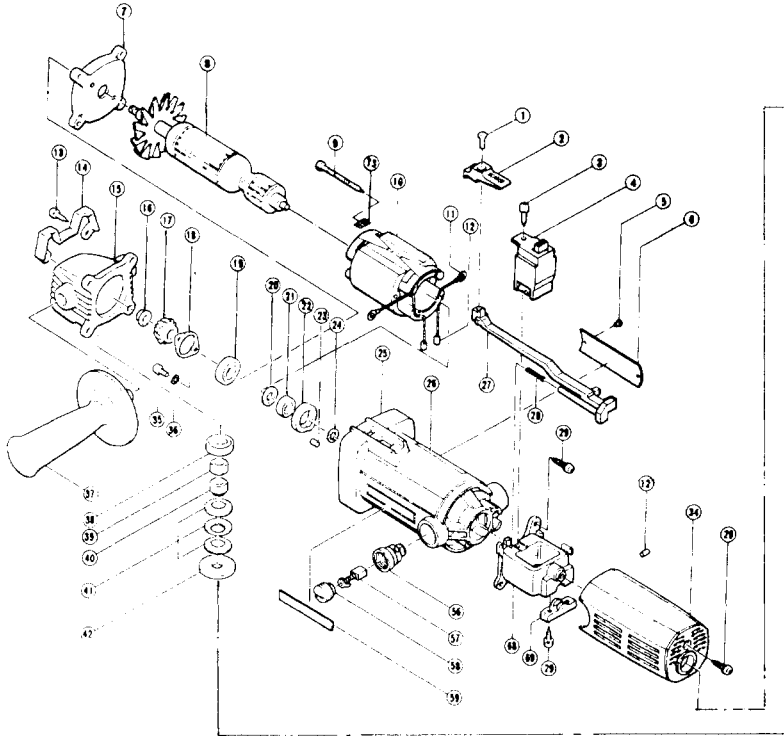




4" DISC GRINDER

Model G 10SA



ITEM NO.	PART NO.	NO. USED	DESCRIPTION	SUPPLY Q'TY	ITEM NO.	PART NO.	NO. USED	DESCRIPTION	SUPPLY Q'TY
1	949323	1	Flat Head. Screw M4×12	10	40	982073Z	1	Nut (A)	
2	938312	1	Slide Switch Knob (B)		41	980877	1	Belleville Spring	
3	982034	1	Tapping Screw M4×12		42	980334Z	3	Slip Plate (B)	
4	980778	1	Slide Switch		43	980333Z	1	Gear	
5	932642	2	Rivet 2.5×2.8		44	982072Z	1	Slip Plate (A)	
6	—	1	Name Plate		45	982030Z	1	Bearing Cover (B)	
7	982024Z	1	Inner Cover		46	6201VV	1	Ball Bearing 6201VVCMP2S	
8	360009C	1	Armature		47	982281Z	1	Spindle	
9	982021	2	Hexagon Tapping Screw M4×70		48	937135	1	Felt Packing	
10	982041P	1	Stator Assembly (includes Item 11,12)		49	982029Z	1	Packing Gland	
11	930630	2	Brush Terminal		50	949217	4	Machine Screw M4×12	10
12	981373	4	Tube (D)		51	937136	1	Fringer	
13	982032	4	Tapping Screw D5×25		52	949241	2	Machine Screw M5×20	10
14	982031Z	1	Guard Plate		53	949454	2	Spring Washer M5	10
15	938217	1	Gear Cover		54	982038Z	1	Set Plate (A)	
16	938071	1	Flange Nut M6		55	982304Z	1	Wheel Guard Assembly (includes Item 36,52-54,63-67)	
17	938047	1	Pinion		56	937846	2	Brush Holder	
18	937876	1	Bearing Cover		57	999021	2	Carbon Brush	2
19	608VVM	1	Ball Bearing 608VVMC2EPS2L		57 A	999084	2	Auto Stop Carbon Brush	2
20	980865	1	Washer (A)		58	937847	2	Brush Cap	
21	626VVM	1	Ball Bearing 626VVMC2ERPS2S		59	957561	1	HITACHI Label	
22	982023	1	Bearing Bush		60	937834Z	1	Wheel Washer	
23	931701	1	Bearing Lock		62	936583Z	1	Wheel Nut	
24	980801	1	Stop Plate		63	982046Z	1	Stopper	
25	982020	1	Housing Assembly (includes Item 56)		64	949214	2	Machine Screw M4×6	10
26	937833Z	1	Caution Plate		65	982040Z	1	Push Plate	
27	982033	1	Slide Bar		66	982302Z	1	Lock Plate	
28	938299	1	Spring		67	982039Z	1	Spring	
29	930446	3	Tapping Screw D4×16		68	982044	1	Switch Holder	
34	982035	1	Tail Cover		69	960266	1	Cord Clip	
35	949216	5	Machine Screw M4×10	10	70	953327	1	Cord Armor	
36	949453	11	Spring Washer M4	10	71	500240Z	1	Cord	
37	956633	1	Side Handle		72	982280Z	1	Spindle Assembly (includes Item 35,36,39-49,51)	
38	608VVM	1	Ball Bearing 608VVMC2EPS2L		74	984750	2	Tapping Screw D4×16	
39	982074Z	1	Nut (B)						