



GP3600 Portable Generator

Parts Manual

Model G0076780

 **WARNING**

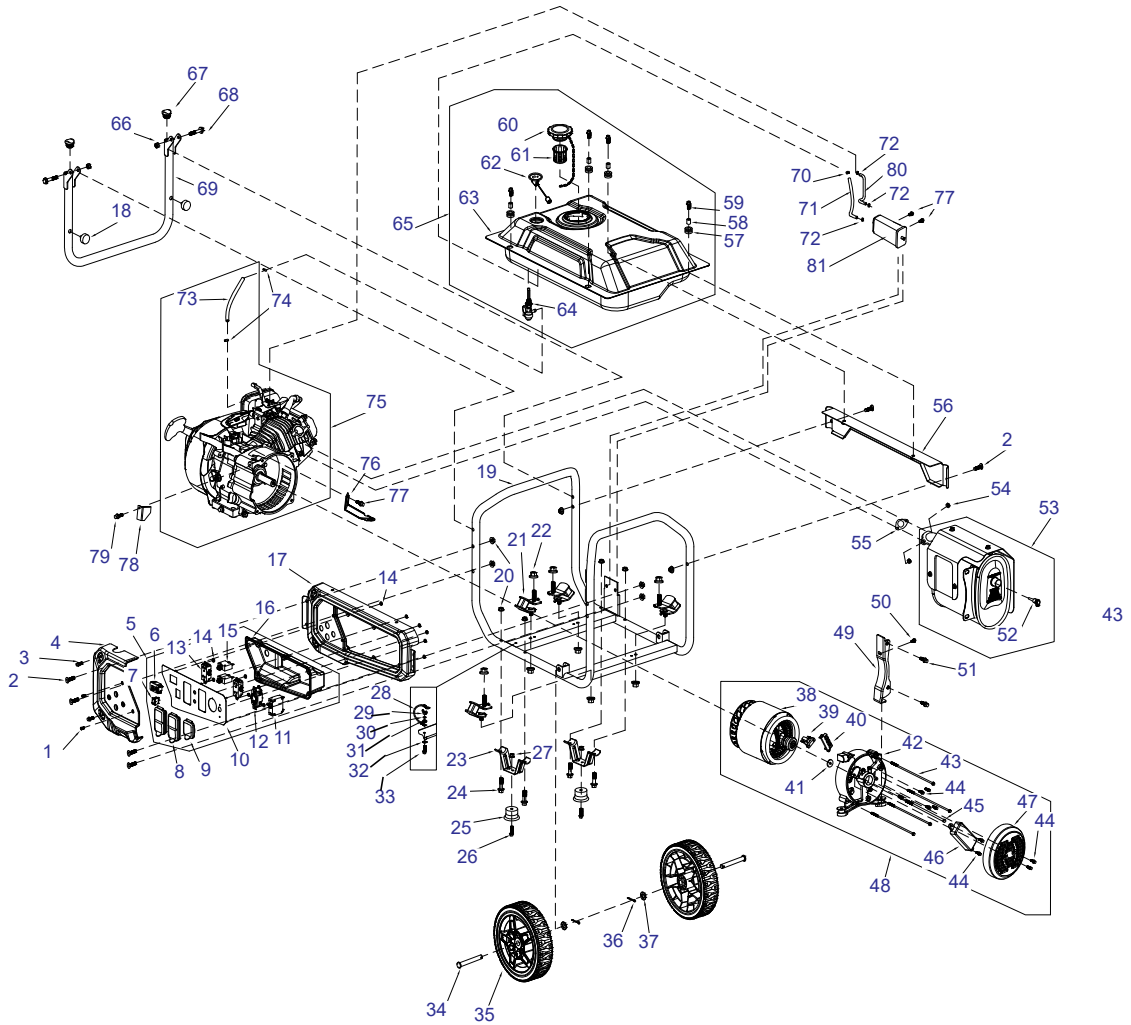
CANCER AND REPRODUCTIVE HARM

www.P65Warnings.ca.gov

(000393a)

The information in this manual is known to be accurate as of the date of release shown on the cover. However, engineering changes can occur without notice. To obtain the proper parts, be sure to use the serial number of the unit being serviced when ordering from this manual. Always refer to any part notes and changes before ordering. All other parts not shown in the manual can be found on Generac's exploded view drawings at www.generac.com or by contacting your local authorized dealer.

www.generac.com or 1-888-GENERAC



ITEM	PART NO.	DESCRIPTION	QTY
1	1000007709	BOLT (M5X16)	2
2	0H1780	CURVED HEAD BOLT (M8X40)	6
3	10000038990	BOLT-M5X12	2
4	10000038938	COVER-CONTROL PANEL	1
5	10000038887	CONTROL PANEL ASSEMBLY WITH DECAL	1
6	0G8321	HOUR METER	1
7	10000035960	ENGINE SWITCH	1
8	0G9392	OUTLET COVER	2
9	0G9391	OUTLET COVER	1
10	10000039000	FACE PLATE WITH DECAL	1
11	10000038997	BREAKER-CIRCUIT 30A	1
12	10000006705	RECEPTACLE L5-30R	1
13	0D4968	RECEPTACLE	2
14	0J86620108	NUT (M4)	12
15	0H0265C	CIRCUIT BREAKER 20A	2
16	10000039023	COVER-CONTROL PANEL BACK	1
17	10000038979	PANEL-CONTROL PANEL SIDE	1
18	10000039065	RUBBER BUMPER	2
19	10000044758	FRAME	1
20	0K0098	NUT (M8)	10
21	10000039048	ISOLATOR-FOOT	4
22	0K22930127	NUT (M8)	8
23	10000039055	BRACKET-FOOT	2
24	10000039072	BOLT-M8X40	4
25	0K0099	RUBBER SHOCK ABSORBER	2
26	0K0100	BOLT (M6X28MM)	2
27	0K0105	NUT (M6)	2
28	10000039033	WIRE-GROUND	1
29	0K0094	BUTTERFLY NUT (M6)	1
30	0J47870118	FLAT WASHER	1
31	10000021871	NUT (M6)	1
32	0K0093	SPECIAL LOCK WASHER	1
33	0J35220156	BOLT (M6X20MM)	1
34	10000039073	PIN-AXLE	2
35	10000039090	WHEEL ASSEMBLY	2
36	10000035957	COTTER PIN	2
37	10000035961	FLAT WASHER	2

ITEM	PART NO.	DESCRIPTION	QTY
38	10000039038	ALTERNATOR-SERVICE ASSEMBLY	1
39	0J6075	ALTERNATOR BRUSH	1
40	0J6072	WIRE TERMINAL	1
41	0J5762	FLAT WASHER	1
42	0J6077	REAR BEARING CARRIER	1
43	0J6071	STATOR BOLT (M6X160MM)	4
44	0J4967	BOLT (M5X12MM)	8
45	0J5763	ROTOR BOLT (M8X215MM)	1
46	10000039034	REGULATOR-AUTOMATIC VOLTAGE	1
47	10000039056	COVER-END	1
48	10000034462	ALTERNATOR	1
49	0J6033	MUFFLER BRACKET	1
50	0H58410166	BOLT (M6X14MM)	1
51	10000039029	BOLT-M8X16	2
52	0J5207C110	SPARK ARRESTOR	1
53	10000039091	MUFFLER ASSEMBLY	1
54	0J35220161	NUT (M8)	2
55	0J35220144	EXHAUST GASKET	1
56	10000035962	EXHAUST SIDE PANEL	1
57	10000007712	FUEL TANK RUBBER MOUNTS	4
58	10000007673	ANTI-CRUSH INSERT	4
59	10000007713	BOLT (M8X25MM)	4
60	0H0958A	SEALED FUEL CAP ASSEMBLY	1
61	10000035980	FUEL FILTER	1
62	10000039066	GAUGE-FUEL	1
63	Order Item 65	FUEL TANK WELDMENT (BARE)	1
64	10000039049	VALVE-FUEL SHUT OFF	1
65	10000039067	ASSEMBLY-FUEL TANK W/DECALS	1
66	10000028262	NUT (M8)	2
67	10000039065	CAP-END	2
68	G073144	BOLT (M8X45MM)	2
69	10000039074	HANDLE-BENT TUBE	1
70	0J88870130	CLAMP	1
71	10000044820	HOSE	1
72	0H9838C110	CLAMP	1
73	0J25910114	FUEL HOSE	1
74	0J25910115	HOSE CLAMP	2

ITEM	PART NO.	DESCRIPTION	QTY
75	10000034161	G210FA ENGINE G19 212CC	1
76	10000039035	BRACKET-AIR CLEANER	1
77	0H58410163	BOLT (M6X12MM)	2
78	0J86620104	BAFFLE	1
79	0J35220157	BOLT (M6X10MM)	1
80	10000044781	PRE FORMED HOSE	1
81	10000044831	CARBON CANISTER	1

* All pictures shown are for illustration purposes only. Actual product may vary.

Part No. 10000038535 Rev. A 11/26/2018
 ©2018 Generac Power Systems, Inc.
 All rights reserved
 Specifications are subject to change without notice.
 No reproduction allowed in any form without prior written
 consent from Generac Power Systems, Inc.



Generac Power Systems, Inc.
 S45 W29290 Hwy. 59
 Waukesha, WI 53189
 1-888-GENERAC (1-888-436-3722)
www.generac.com