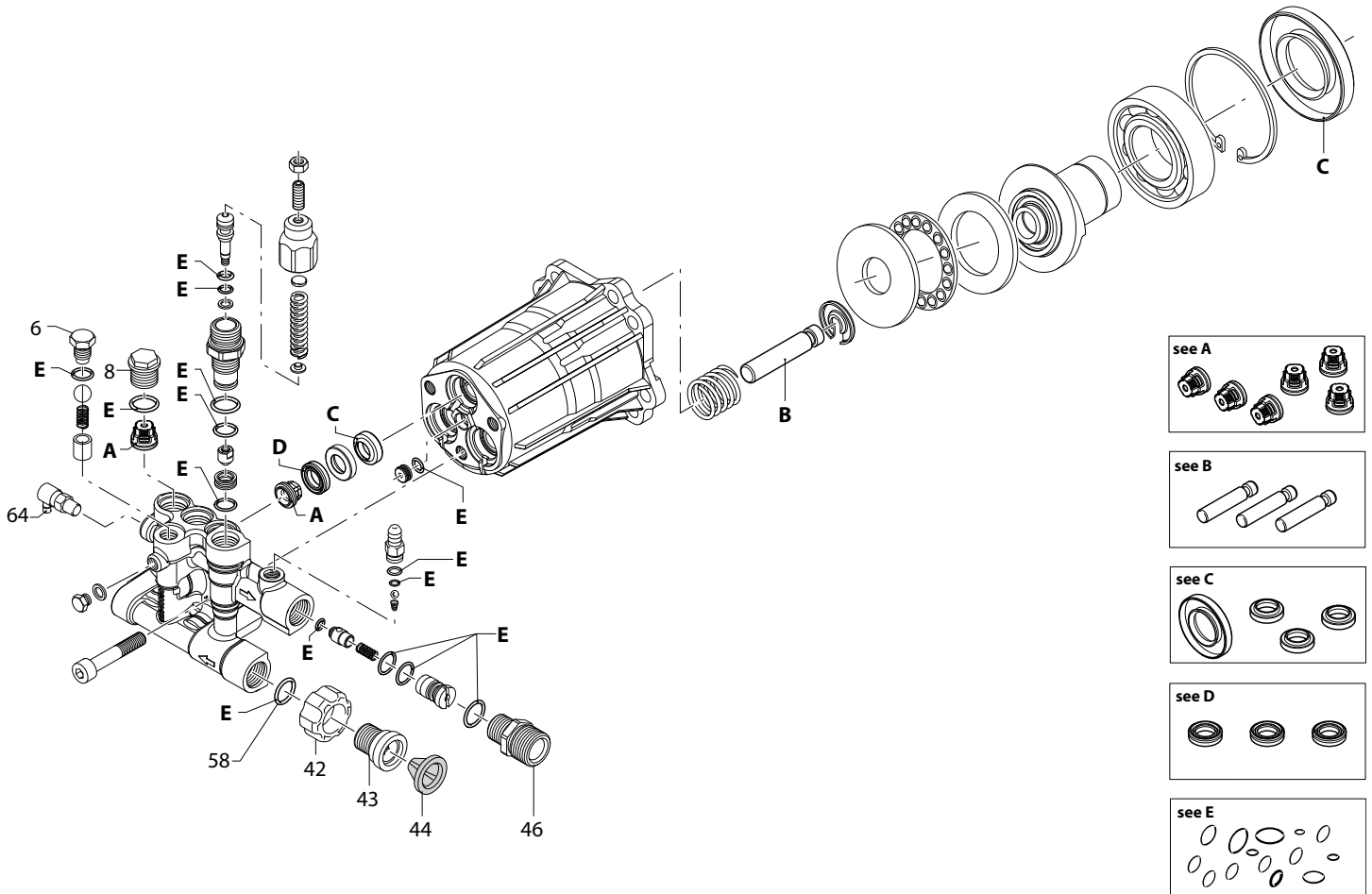


008032

ITEM	PART NO.	DESCRIPTION	QTY
1	10000021503	ENGINE 208CC	1
2	10000028151	SOAP TANK CAP	1
3	10000028381	SOAP TANK	1
4	10000027578	FRAME BASE	1
5	10000027567	LOCK NUT M8	1
6	10000027640	FRAME ISOLATING FOOT	1
7	10000027622	SCREW M6X45MM	1
8	10000027568	LOWER GUN BRACKET	1
9	10000027651	LOCK NUT M6	3
10	10000004612	NUT M8	8
11	10000027652	VIBRATION ISOLATOR ENGINE MOUNT	4
12	10000028129	WHEEL	2
13	10000027641	WHEEL AXLE	2
14	10000027618	HAIR PIN	2
15	10000027667	CLIP	3
16	10000027642	DETENT SPRING	2
17	10000027608	UPPER GUN HOOK	1
18	10000027872	FRAME HANDLE	1
19	10000028136	FOAM GRIP	1
20	10000028096	HIGH PRESSURE HOSE STRING KNOT	1
21	10000028079	HIGH PRESSURE HOSE STRING	1
22	10000028334	NOZZLE GROMMET	1
23	10000027684	PANEL	1
24	10000027681	PLASTIC RIVETS	4
25	10000027674	FLAT KEY	1
26	10000027668	BOLT M8X20MM	4
27	0K5580	WATER PUMP	1
28	10000027710	SIPHON TUBE	1
29	10000027629	WAND	1
30	10000027687	SPRAY GUN	1
31	10000027690	NOZZLE CLEANER	1
32	10000027647	NOZZLE CLEANER SHEATH	1

ITEM	PART NO.	DESCRIPTION	QTY
33	10000027675	HIGH PRESSURE HOSE	1
34	10000027858	NOZZLE 0°	1
35	10000027648	NOZZLE 25°	1
36	10000027635	SOAP NOZZLE	1
37	10000027710	NOZZLE 40°	1

POWER WASHER PUMP, AXIAL-2.2GPM 2600 PSI – REPLACEMENT PARTS



REF. #	Generac Part #	QTY	Description
	0K5580	1	PUMP, AXIAL 2.2GPM 2600 PSI
6	0H95650130	1	PLUG, SCREW UNLOADER
8	0K55800110	1	PLUG, VALVE
42	0H95650120	1	FITTING, SUCTION
43	0H95650121	1	FITTING, SUCTION
44	0H95650122	1	FILTER
46	0H95650123	1	FITTING, OUTLET
58	0H95650124	2	O-RING 014X2
64	0H9570	1	VALVE ASSY., THERMAL RELIEF

REF. #	Generac Part #	Description
A	0K55800111	KIT - VALVES
B	0H95650111	KIT - PISTONS
C	0J93750102	KIT - OIL SEALS
D	0H95650113	KIT - WATER SEALS
E	0K16630110	KIT - O-RINGS

GENERAC®

Generac Power Systems, Inc.
S45 W29290 Hwy. 59
Waukesha, WI 53189
1-888-GENERAC (1-888-436-3722)

Part No. 0K5580PMNL Printed in USA Rev. A 05/01/14
©2014 Generac Power Systems, Inc. All rights reserved.
Specifications are subject to change without notice
No reproduction allowed in any form without prior written consent from Generac Power Systems, Inc.

generac.com

Internal Use Only – Not for Distribution