

***C20 2-INCH CHEMICAL PUMP***  
***Parts Manual***

 **WARNING**

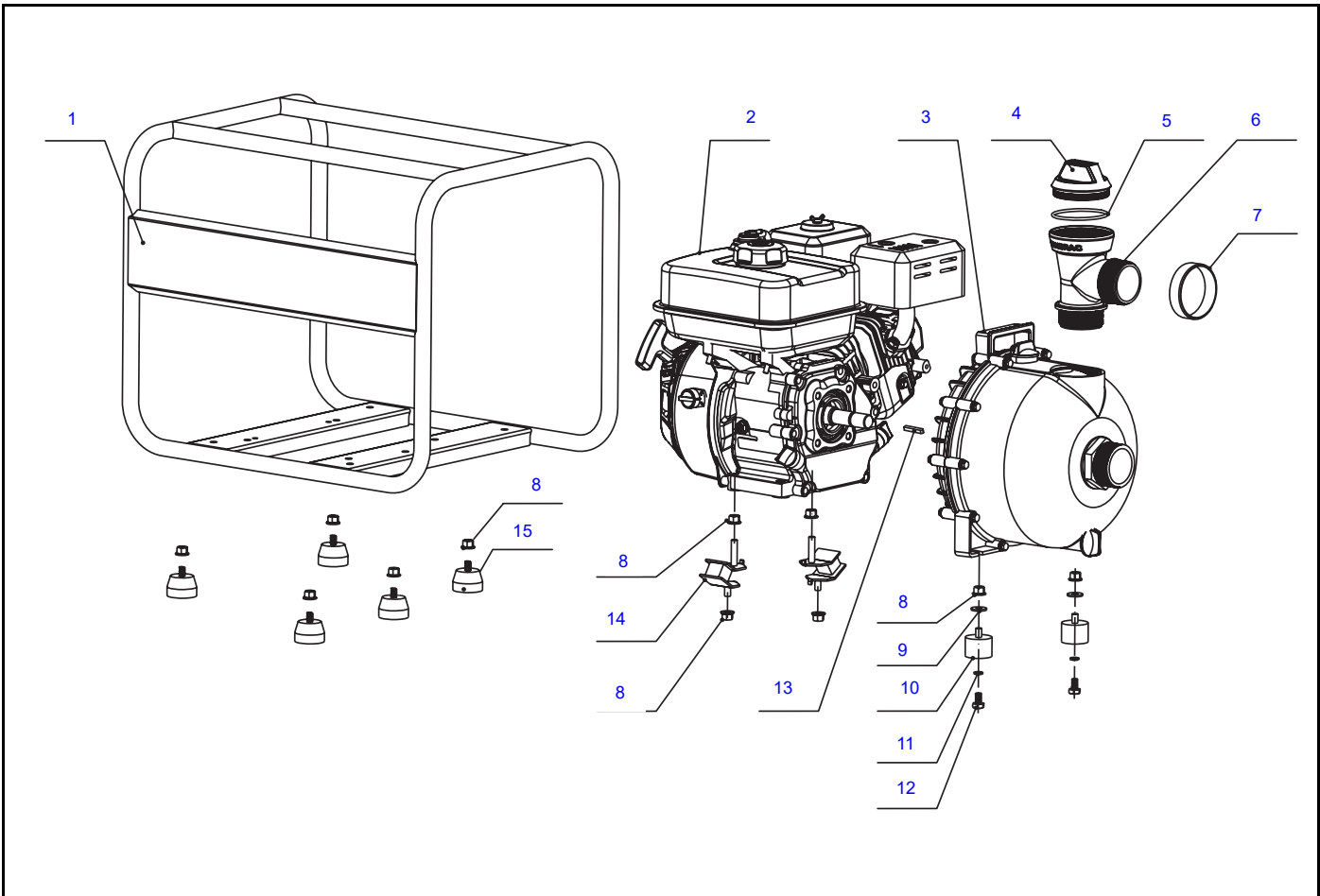
**CANCER AND REPRODUCTIVE HARM**

[www.P65Warnings.ca.gov](http://www.P65Warnings.ca.gov)

(000393a)

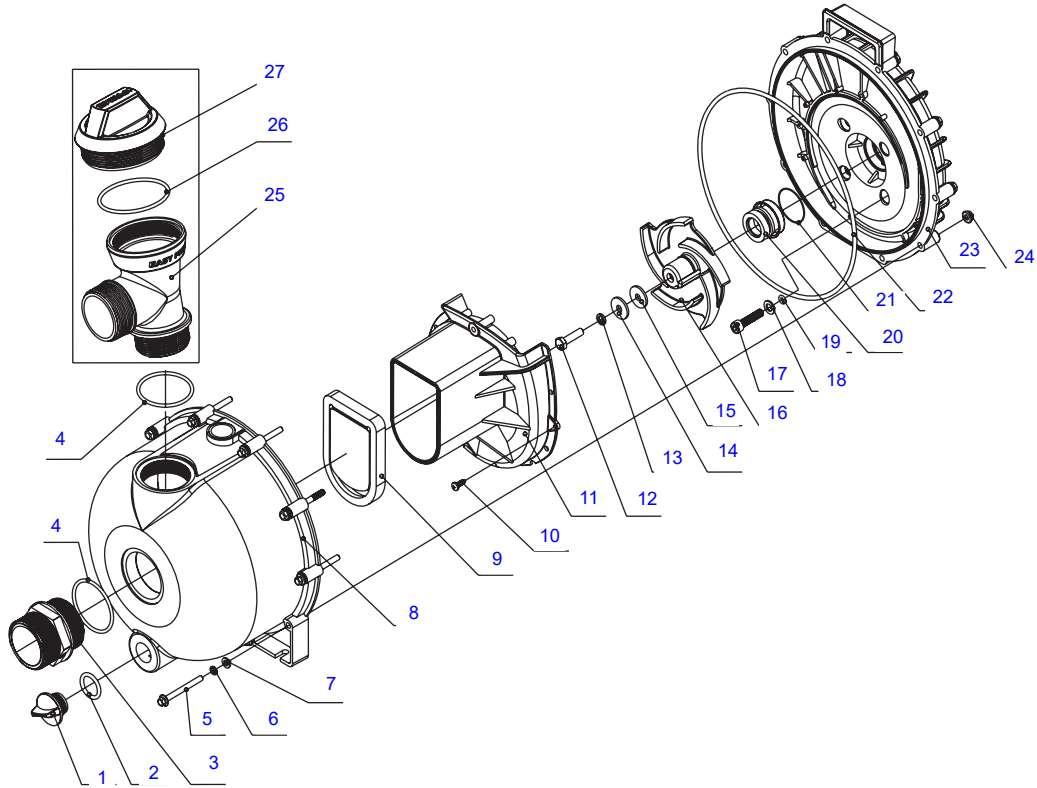
The information in this manual is accurate based on products produced at the time of publication. The manufacturer reserves the right to make technical updates, corrections, and product revisions at any time without notice.

**www.generac.com or 1-888-GENERAC**



ITEM	PART NO.	DESCRIPTION	QTY
1	10000016998	CRADLE 2 INCH CHEMICAL PUMP	1
2	10000013786	ENGINE 223CC WITH MUFFLER AND TANK	1
3	10000017060	CHEMICAL PUMP	1
4	10000014535	FUNNEL CAP 2 INCH CHEMICAL PUMP	1
5	0K96270133	O-RING	1
6	10000014575	FILL FUNNEL 2 INCH CHEMICAL PUMP	1
7	10000017835	DISCHARGE FLANGE RUBBER RING (BLUE)	1
8	0J08180243	NUT (M8)	11
9	10000017051	LARGE WASHER (C8)	2
10	10000017014	VIBRATION MOUNT	2
11	0J08180230	SPRING WASHER	2

ITEM	PART NO.	DESCRIPTION	QTY
12	0H33750247	FLANGE BOLT (M8X14)	2
13	0H33750247	FLAT KEY	1
14	0H3415	VIBRATION MOUNT	2
15	0L63350112	CRADLE VIBRATION MOUNT	5



ITEM	PART NO.	DESCRIPTION	QTY
1	10000017016	DRAIN PLUG	1
2	10000017080	DRAIN PLUG O-RING	1
3	10000017090	INTAKE STRAIGHT JOINT	2
4	10000017081	INTAKE STRAIGHT JOINT O-RING SEAL	2
5	10000017043	BOLT (M6X65)	10
6	10000017044	SPRING WASHER	10
7	10000017074	FLAT WASHER	10
8	10000017075	PUMP HOUSING	1
9	10000017052	FLAP VALVE	1
10	10000017076	SELF-TAPPING SCREW (M4X16)	2
11	10000017092	VOLUTE	1
12	10000017061	BOLT (M8X30)	1
13	10000017053	SPRING WASHER	1
14	10000017054	LARGE FLAT WASHER	1
15	10000017047	RUBBER GASKET	1
16	10000017096	IMPELLER	1
17	10000017101	BOLT (M8X35)	4

ITEM	PART NO.	DESCRIPTION	QTY
18	10000017102	FLAT WASHER	4
19	10000017103	O-RING	4
20	10000017055	MECHANICAL SEAL	1
21	10000017048	MECHANICAL SEAL RING	1
22	10000017079	PUMP COVER O-RING	1
23	10000017104	PUMP COVER	1
24	10000017018	NUT (M6)	10
25	10000014575	PRIMING FUNNEL 2 INCH PRIMING PUMP	1
26	0K96270133	O-RING	1
27	10000014535	FUNNEL CAP 2 INCH PRIMING PUMP	1

---

Part No. 10000014508      Rev. B 04/19/2018  
©2018 Generac Power Systems, Inc.  
All rights reserved  
Specifications are subject to change without notice.  
No reproduction allowed in any form without prior written  
consent from Generac Power Systems, Inc.



Generac Power Systems, Inc.  
S45 W29290 Hwy. 59  
Waukesha, WI 53189  
1-888-GENERAC (1-888-436-3722)  
[www.generac.com](http://www.generac.com)