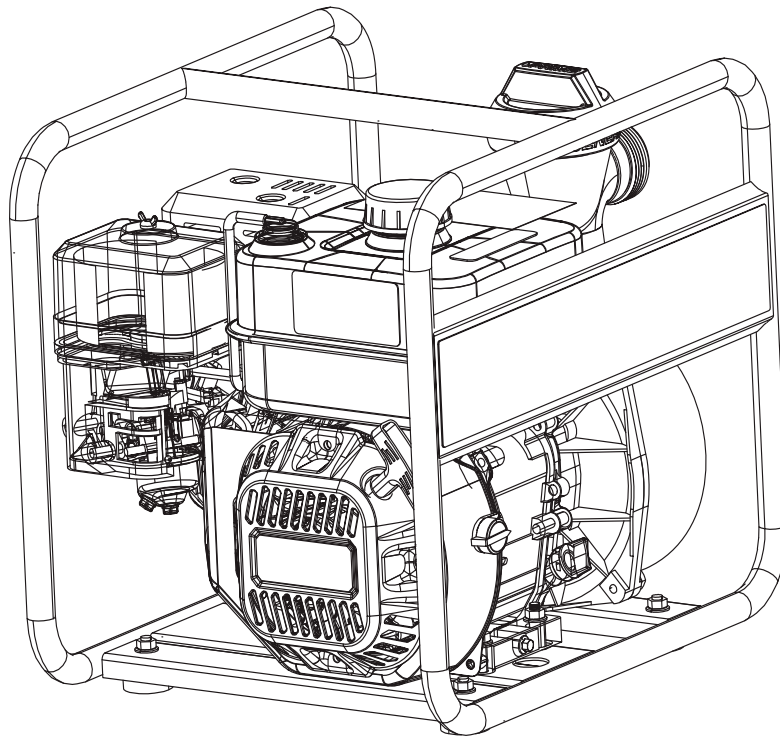


## *CW20 2 Inch Water Pump Parts Manual (Model 006918-0)*



---

**⚠ WARNING**

California Proposition 65. Engine exhaust and some of its constituents are known to the state of California to cause cancer, birth defects, and other reproductive harm. (000004)

---

**⚠ WARNING**

California Proposition 65. This product contains or emits chemicals known to the state of California to cause cancer, birth defects, and other reproductive harm. (000005)

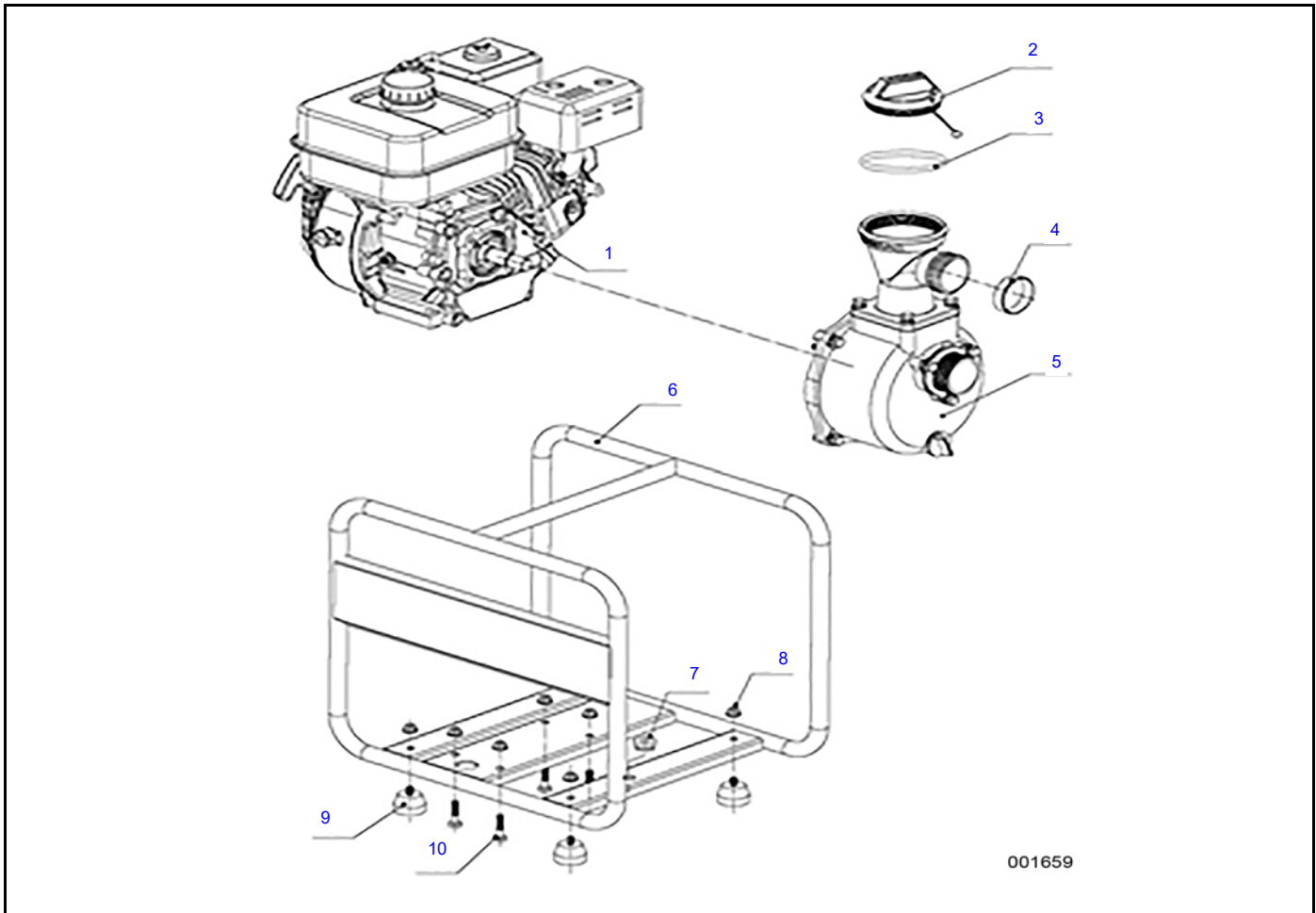
---

**NOTICE!**

The information in this manual is known to be accurate as of the date of release shown on the cover. However, engineering changes can occur without notice. To obtain the proper parts, please be sure to use the serial number of the unit being serviced when ordering from this manual. Always refer to any parts notes and changes before ordering. All other parts not shown in this manual can be found on Generac's exploded view drawings online on GENservice at [www.generac.com](http://www.generac.com).

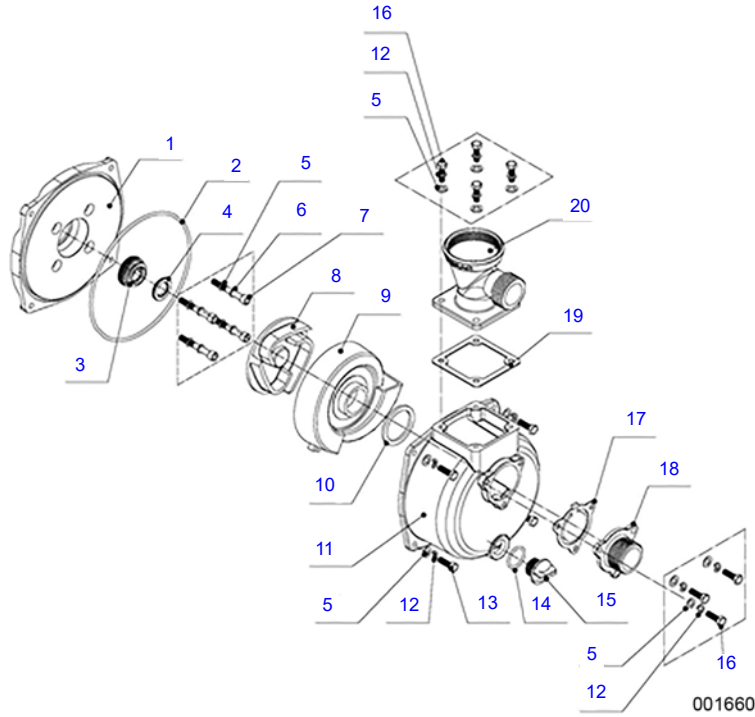
**[www.generac.com](http://www.generac.com) or 1-888-GENERAC**

## 2 Inch Clean Water Pump



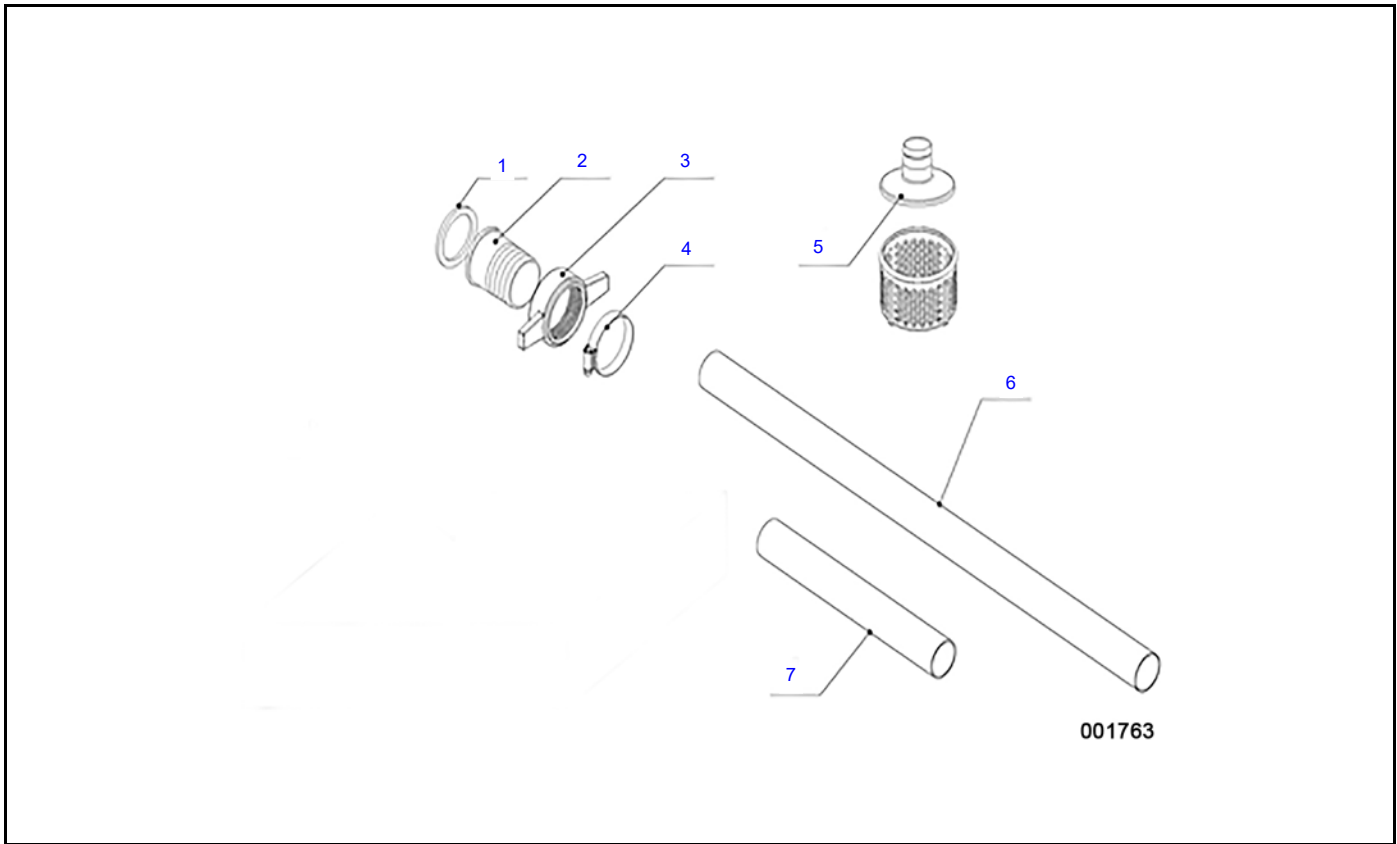
ITEM	PART NO.	DESCRIPTION	QTY
1	0L4796	208CC ENGINE FOR 2 INCH WATER PUMP	1
2	0K9080	2 INCH EASY PRIME CAP	1
3	0K95700141	2 INCH EASY PRIME CAP O-RING	1
4	0K95700139	2 INCH BLUE BAND	1
5	0K95700001	2 INCH PUMP ASSEMBLY	1
6	0L63350110	2 INCH WATER PUMP FRAME	1
7	0L63350111	PUMP BODY SHOCK ABSORBER	1
8	0J08180243	NUT (M8)	8
9	0L63350112	CYLINDER VIBRATION MOUNT	4
10	0L63350113	BOLT (M8X34)	4

## 2 Inch Water Pump Assembly



ITEM	PART NO.	DESCRIPTION	QTY
1	0K95700118	PUMP COVER	1
2	0K95700119	PUMP COVER O-RING	1
3	0K95700120	MECHANICAL SEAL (STATIONARY)	1
4	0K95700121	MECHANICAL SEAL (DYNAMIC)	1
5	0J08180229	FLAT WASHER	15
6	0K95700122	RUBBER WASHER	4
7	0K95700123	INNER HEXAGONAL BOLT (M8X60)	4
8	0K95700124	2 INCH IMPELLER (HT200)	1
9	0K95700125	2 INCH VOLUTE (HT200)	1
10	0K95700126	2 INCH VOLUTE O-RING	1
11	0K95700127	2 INCH PUMP BODY	1
12	0J08180230	SPRING WASHER	11
13	0K95700128	BOLT (M8X30)	4
14	0K95700129	PLUG O-RING	2
15	0K95700130	GENERAC 2 INCH PLUG	2
16	0K96270126	BOLT (M8X25)	7
17	0K95700131	FLAP VALVE	1
18	0K95700156	2 INCH INTAKE VALVE SEAT	1
19	0K95700140	2 INCH EASY PRIME DISCHARGE FUNNEL O-RING	1
20	0K9079	2 INCH EASY PRIME DISCHARGE FUNNEL	1

## Hoses and Hardware



ITEM	PART NO.	DESCRIPTION	QTY
1	0K95700132	O-RING	2
2	0K95700153	HOSE BARB	2
3	0K95700134	JOINT GRIP	2
4	0K95700154	CLAMP	3
5	0K95700137	FILTER NET	1
6	0K95700138	DISCHARGE HOSE (2 INCH X 25 FEET)	1
7	0K95700136	SUCTION HOSE (2 INCH X 12 FEET)	1

**GENERAC®**

Part No. 0L6335PMNL Rev. A 03/10/2016 © 2016 Generac Power Systems, Inc. All rights reserved  
 Specifications are subject to change without notice.  
 No reproduction allowed in any form without prior written consent from Generac Power Systems, Inc.

Generac Power Systems, Inc.  
 S45 W29290 Hwy. 59  
 Waukesha, WI 53189  
 1-888-GENERAC (1-888-436-3722)  
 generac.com