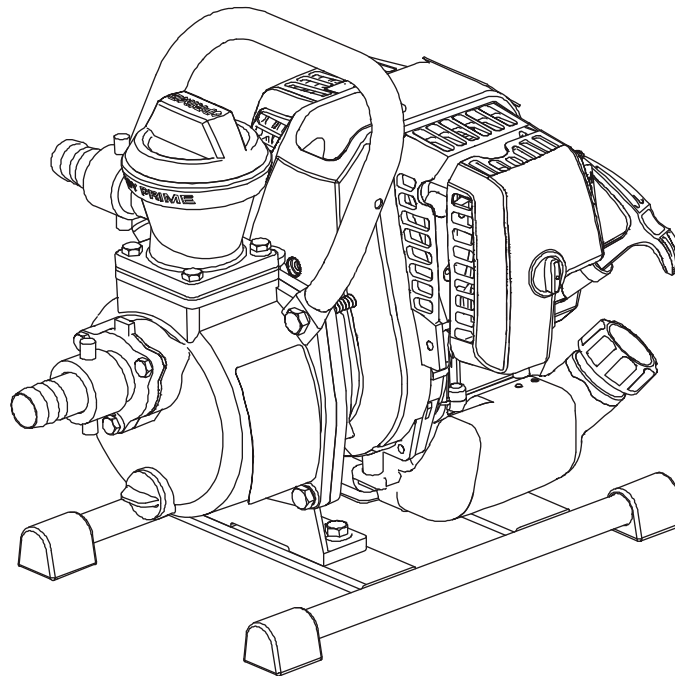


# *CW10K Water Pump (G24)*

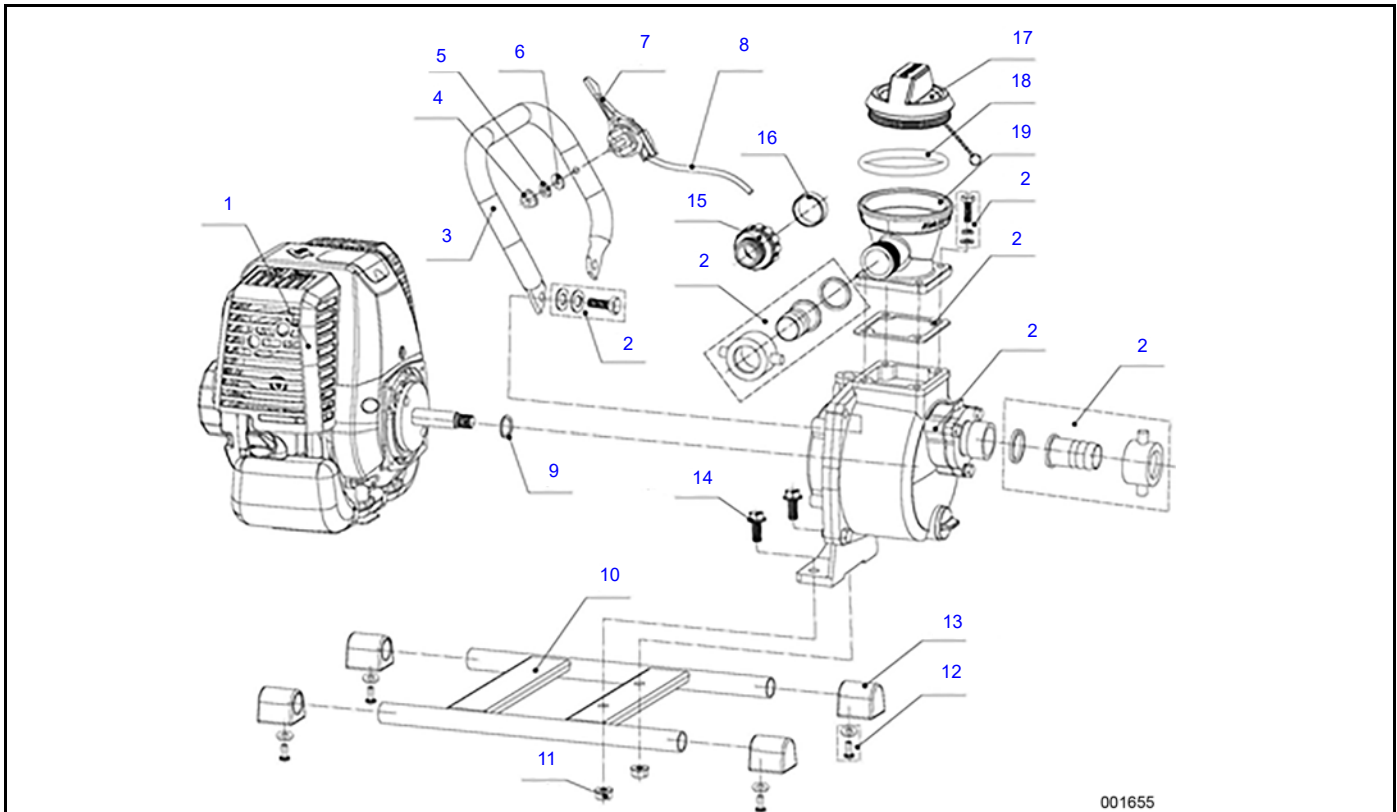
## *1 Inch Dewatering Pump*



### NOTICE!

The information in this manual is known to be accurate as of the date of release shown on the cover. However, engineering changes can occur without notice. To obtain the proper parts, please be sure to use the serial number of the unit being serviced when ordering from this manual. Always refer to any parts notes and changes before ordering. All other parts not shown in this manual can be found on Generac's exploded view drawings online on GENservice at [www.generac.com](http://www.generac.com).

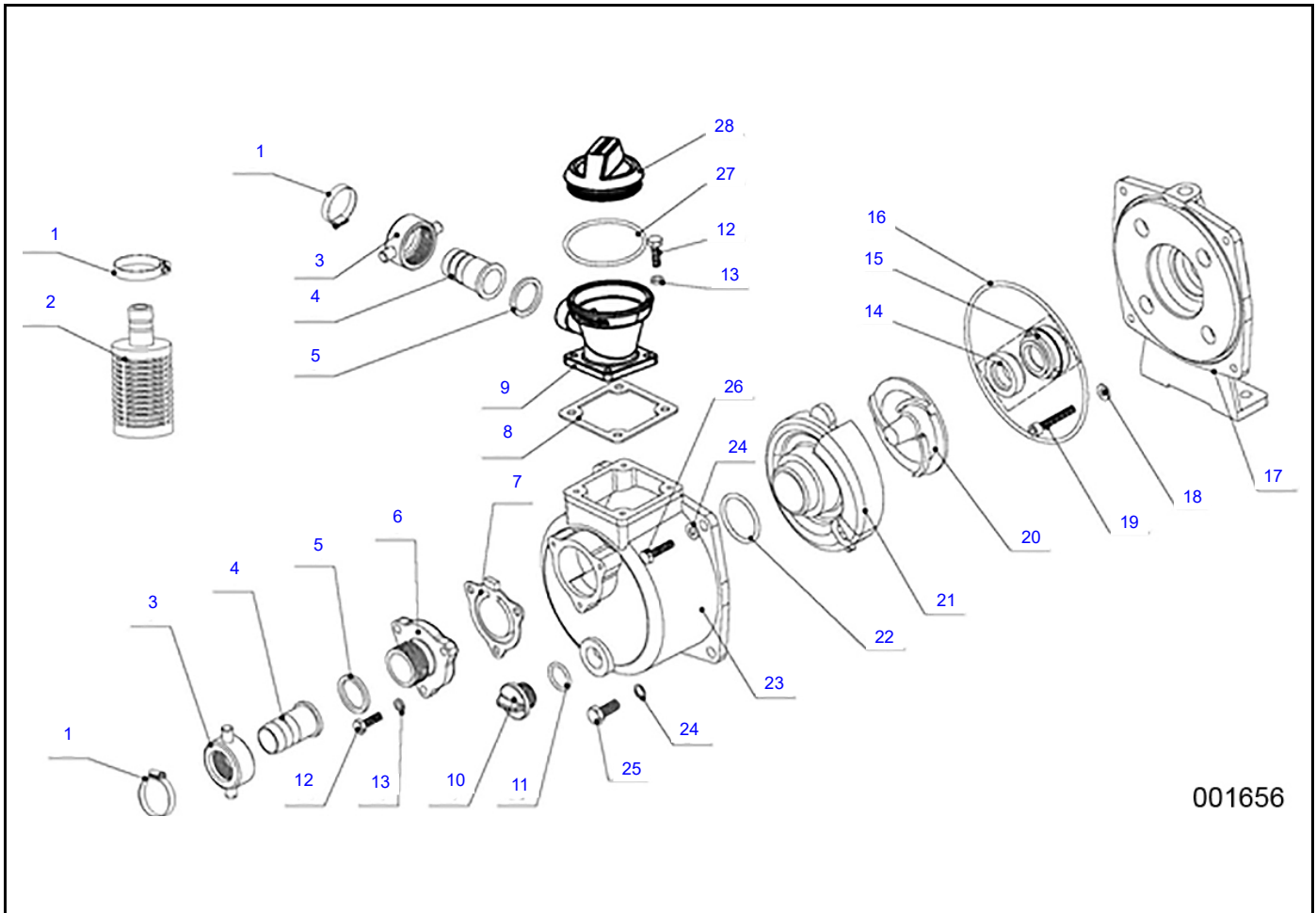
# CW10K WATER PUMP



001655

| ITEM | PART NO.   | DESCRIPTION   | QTY |
|------|------------|---|-----|
| 1    | 0L4799     | 33.5cc ENGINE FOR 1 INCH WATER PUMP                         | 1   |
| 2    | 0L63340110 | WATER PUMP ASSEMBLY (SEE ASSEMBLY FOR ITEM 2, PART NUMBERS) | 1   |
|      | NOTE       | ITEMS 17,18, AND 19 ARE NOT INCLUDED WITH ABOVE ASSEMBLY    |     |
| 3    | 0L63340111 | HANDLE  | 1   |
| 4    | 0L63340112 | NUT (M5)  | 1   |
| 5    | 0J08180238 | SPRING WASHER   | 1   |
| 6    | 0J08180237 | FLAT WASHER   | 1   |
| 7    | 0L63340113 | THROTTLE LEVER  | 1   |
| 8    | 0L63340114 | THROTTLE CABLE  | 1   |
| 9    | 0L63340115 | ADJUSTING SHIM  | 5   |
| 10   | 0L63340116 | BASE FOR 1 INCH WATER PUMP                                  | 1   |
| 11   | 0J08180243 | NUT (M8)  | 2   |
| 12   | 0J08180250 | SELF TAPPING SCREW (ST4.2X12)                               | 4   |
| 13   | 0L63340117 | VIBRATION MOUNT   | 4   |
| 14   | 0L63340118 | BOLT (M8X25)  | 2   |
| 15   | 0L4775     | FNPT ADAPTOR  | 1   |
| 16   | 0L63340119 | BLUE BAND FOR 1 INCH WATER PUMP                             | 1   |
| 17   | 0K9052     | 1/1.5 CAP EASY PRIME DISCHARGE FUNNEL                       | 1   |
| 18   | 0K96270133 | O-RING FOR 1/1.5 INCH CAP                                   | 1   |
| 19   | 0L4763     | DISCHARGE FUNNEL FOR 1 INCH WATER PUMP                      | 1   |

# WATER PUMP ASSEMBLY



001656

| ITEM | PART NO.   | DESCRIPTION                             | QTY |
|------|------------|---|-----|
| 1    | 0L63340120 | CLAMP                                   | 3   |
| 2    | 0L63340121 | STRAINER FOR 1 INCH WATER PUMP          | 1   |
| 3    | 0L63340122 | JOINT GRIP II                           | 2   |
| 4    | 0L63340123 | HOSE BARB II                            | 2   |
| 5    | 0L63340124 | SEALING RING                            | 2   |
| 6    | 0L63340125 | INTAKE VALVE SEAT FOR 1 INCH WATER PUMP | 1   |
| 7    | 0L63340126 | FLAP VALVE FOR 1 INCH WATER PUMP        | 1   |
| 8    | 0L63340127 | DISCHARGE FUNNEL GASKET                 | 1   |
| 9    | 0L4763     | DISCHARGE FUNNEL FOR 1 INCH WATER PUMP  | 1   |
| 10   | 0L63340128 | PLUG                                    | 1   |
| 11   | 0L63340129 | PLUG O-RING                             | 1   |
| 12   | 0L63340130 | BOLT (M6X20)                            | 7   |
| 13   | 0L47990195 | SPRING WASHER                           | 7   |
| 14   | 0L63340131 | MECHANICAL SEAL (DYNAMIC)               | 1   |
| 15   | 0L63340132 | MECHANICAL SEAL (STATIONARY)            | 1   |
| 16   | 0L63340133 | PUMP COVER O-RING                       | 1   |

|    |            |                                      |   |
|----|------------|--------------------------------------|---|
| 17 | 0L63340134 | PUMP COVER                           | 1 |
| 18 | 0L63340135 | ALUMINUM WASHER                      | 4 |
| 19 | 0L63340136 | INNER HEX BOLT (M6X40)               | 4 |
| 20 | 0L63340137 | IMPELLER FOR 1 INCH PUMP             | 1 |
| 21 | 0L63340138 | VOLUTE FOR 1 INCH PUMP               | 1 |
| 22 | 0L63340139 | VOLUTE SEALING O-RING                | 1 |
| 23 | 0L63340140 | PUMP HOUSING                         | 1 |
| 24 | 0L63340141 | SPRING WASHER                        | 4 |
| 25 | 0L63340142 | BOLT (M8X20)                         | 2 |
| 26 | 0L63340143 | BOLT (M8X25)                         | 2 |
| 27 | 0K96270133 | O RING FOR 1/1.5 INCH EASY PRIME CAP | 1 |
| 28 | 0K9052     | CAP FOR 1/1.5 INCH EASY PRIME FUNNEL | 1 |



Part No.0L6334PMNL Rev. A 12/22/2015 Printed in USA  
 © Generac Power Systems, Inc. All rights reserved  
 Specifications are subject to change without notice.  
 No reproduction allowed in any form without prior written  
 consent from Generac Power Systems, Inc.

Generac Power Systems, Inc.  
 S45 W29290 Hwy. 59  
 Waukesha, WI 53189  
 1-888-GENERAC (1-888-436-3722)  
 generac.com