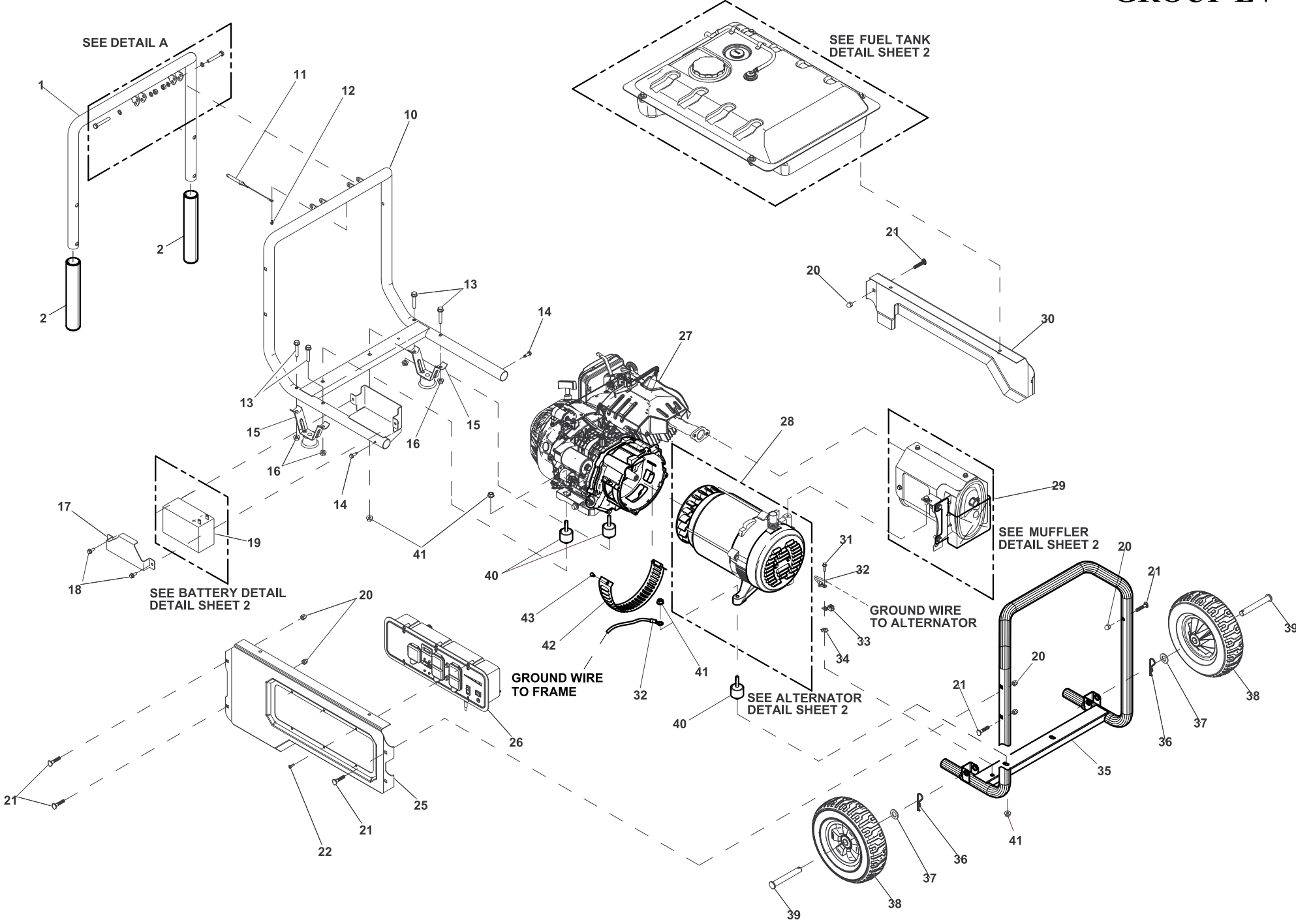
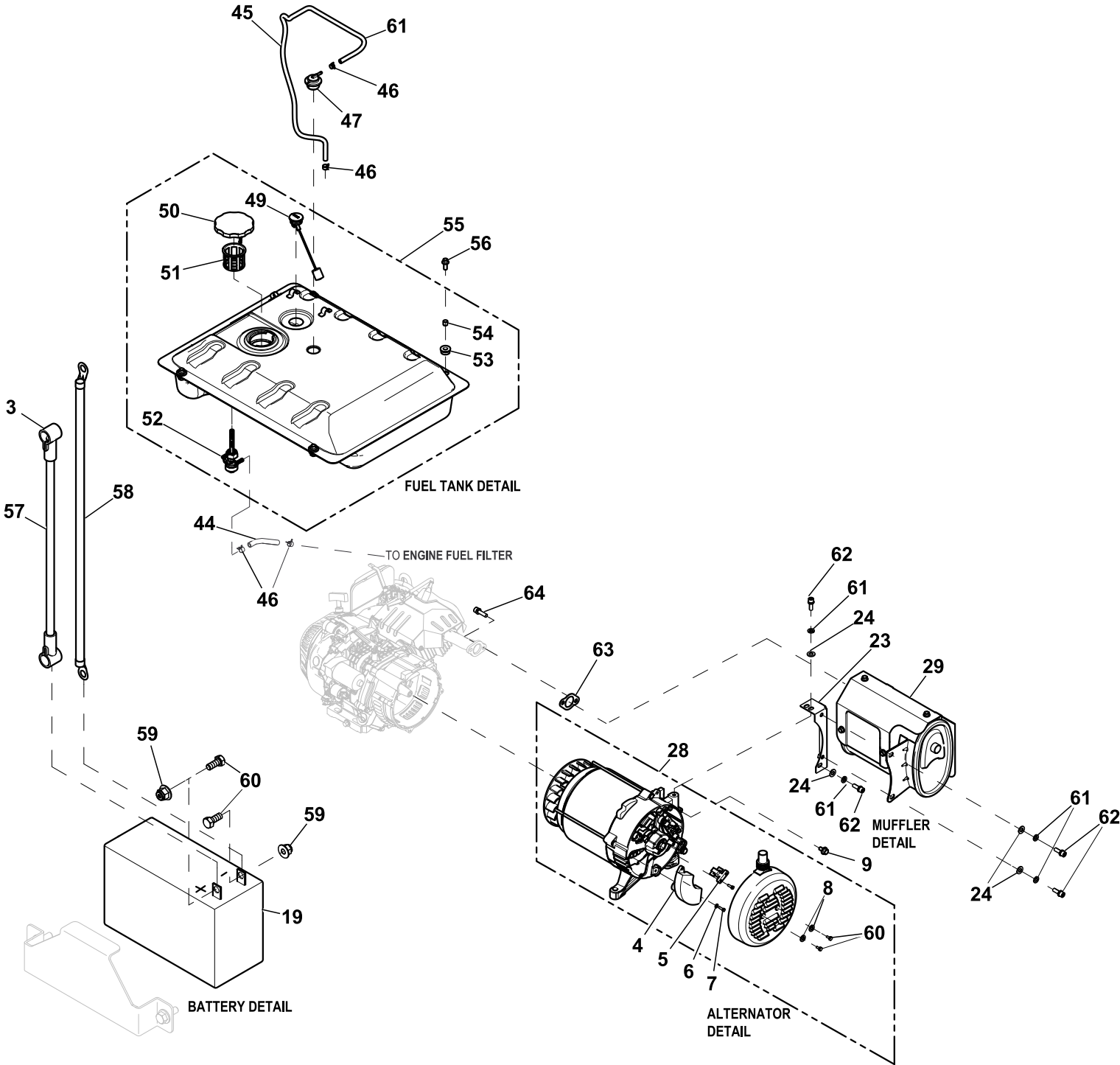


GROUP EV





EXPLODED VIEW: EV HL6500E

DRAWING #: 0L2497

GROUP EV

ITEM	PART#	QTY.	DESCRIPTION
1	0K2864	1	HANDLE
2	0J2593	2	HANDLE GRIP
3	0G6392	2	BOOT, VINYL STARTER-SOLENOID
4	0H2579B	1	AVR 5.5-7.5KW ALT
5	0H0919	1	ASSEMBLY,BRUSH
6	051713	3	WASHER FLAT M5
7	049815	3	SCREW HHC M5-0.8 X 16 G8.8
8	049226	2	WASHER LOCK M5
9	0G0919	1	SCREW HHFCS M6-1 X 12 G8.8
10	0K2197A	1	CRADLE 389CC ENG
11	0K3399	1	PIN QUICK RELEASE
12	045764	1	SCREW HHTT M4-0.7 X 8 ZP
13	0H1779	4	SCREW HHFC M8-1.25 X 45
14	0L2176	2	SCREW HHSD PREMIUM 1/4-14X1 BZ
15	0K3242	2	FOOT ASSY
16	0J9125	4	NUT HEX FL WHIZ M8-1.25
17	0J6418	1	BRACKET BATTERY HOLD DOWN
18	0G0926	2	SCREW HHFCS M6-1 X 16 G8.8
19	0G9449	1	BATTERY 12V10AH SEALED
20	0H1782	6	CAP NUT M8-1.25 BLACK ZINC
21	0K2857	6	CURVE HD SQ NECK M8-1.25X41LNG
22	0K3130	6	SCREW PPPH M5-0.8 X 16 BZC
23	0G8542	1	BRACKET, MUFFLER 389CC
24	022145	4	WASHER FLAT 5/16-M8 ZINC
25	0K2150A	1	SIDE PANEL CONTROL
26	0K2144A	1	CONTROL PNL ASSY
27	0G8442J	1	ENGINE 389 ES W/O MFLR EPA PH3
28	0L0608	1	ALT 6500W CU-AL BRUSH TYPE
29	0H9763A	1	ASSY MUFFLR GP5.5-6.5KW
30	0K2858	1	SIDE PANEL, EXHAUST,
31	0G3110	1	SCREW HHTT M6-1.0 X 20 ZINC
32	0742600186	1	GROUND WIRE BRG CAR-LUG 4KW
33	055414	1	LUG SLDLSS #2-#8 X 17/64 CU
34	0A1658	1	WASHER LOCK SPECIAL 1/4"
35	0K2988A	1	CRADLE 389CC ALT
36	0H3443	2	COTTER HAIRPIN 2.56 X .80
37	0A1646	2	WASHER FLAT M16
38	0H9589B	2	WHEEL 10"D X 3" NVR FLT
39	0J9808	2	AXLE PIN 5/8"X4 1/2",3/4" HEAD
40	0H2043	4	VIB MOUNT 35 X 12 X M8-1.25
41	067989	8	NUT HEX FL WHIZ M8-1.25
42	0J6460	1	SCROLL ALTERNATOR
43	045770	1	SCREW HHC M5-0.8 X 10 C8.8
44	0G9757A	1	FUEL HOSE 4 ID X 8.5OD X 55MM
45	0K2925	1	HOSE FORMED ROV-AIRBOX 420CC
46	048031G	3	CLAMP HOSE BAND .41
47	0J7921	1	ASSEMBLY ROV
48	048031C	1	CLAMP HOSE BAND .50
49	0H9005A	1	FUEL GAUGE 150 MM LONG ARM
50	0H0958A	1	ASSY GAS CAP SEALED - BLACK
51	0H1326	1	STRAINER, FUEL CAP
52	0J0974	1	VALVE, FUEL SHUT OFF
53	0H1411B	4	RUBBER MOUNT,10.3 ID X 11 HGT
54	0H1610A	4	ANTI-CRUSH 10.8OD 9ID 10LG
55	0H7591B	1	FUEL TANK ASSY 8 GAL
56	0G5445	4	SCREW HHFC M8-1.25 X 20 W/M10
57	0742600198	1	WIRE ASSY 8GA 11" RED
58	0742600199	1	WIRE ASSY 8GA 17" BLACK

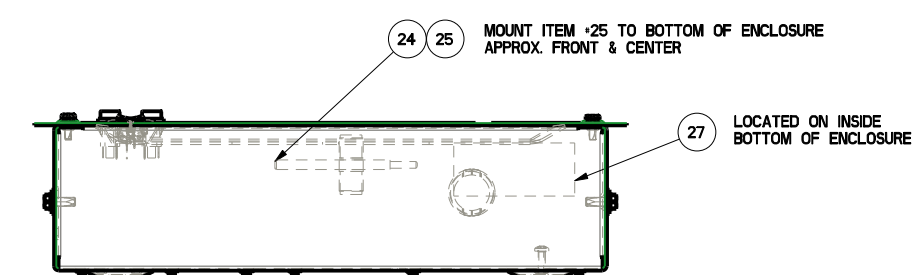
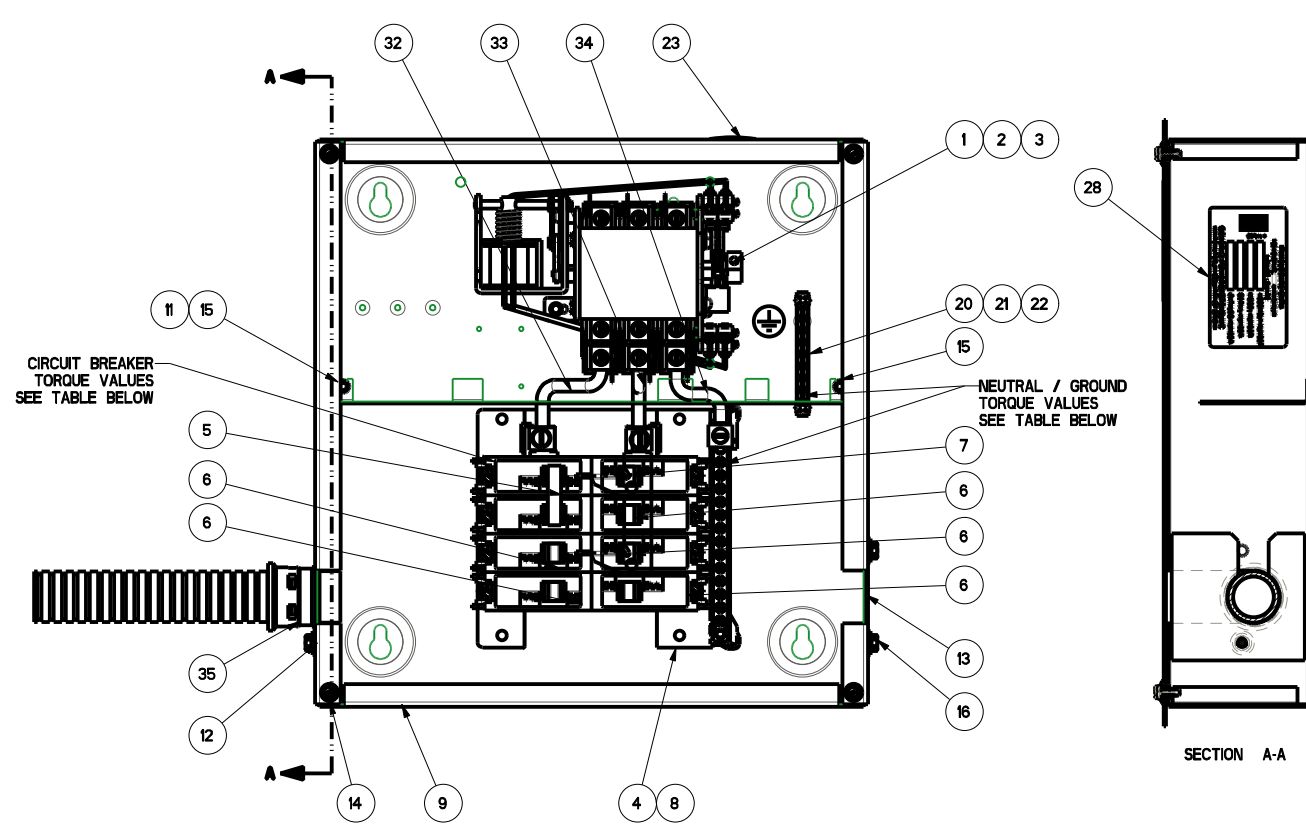
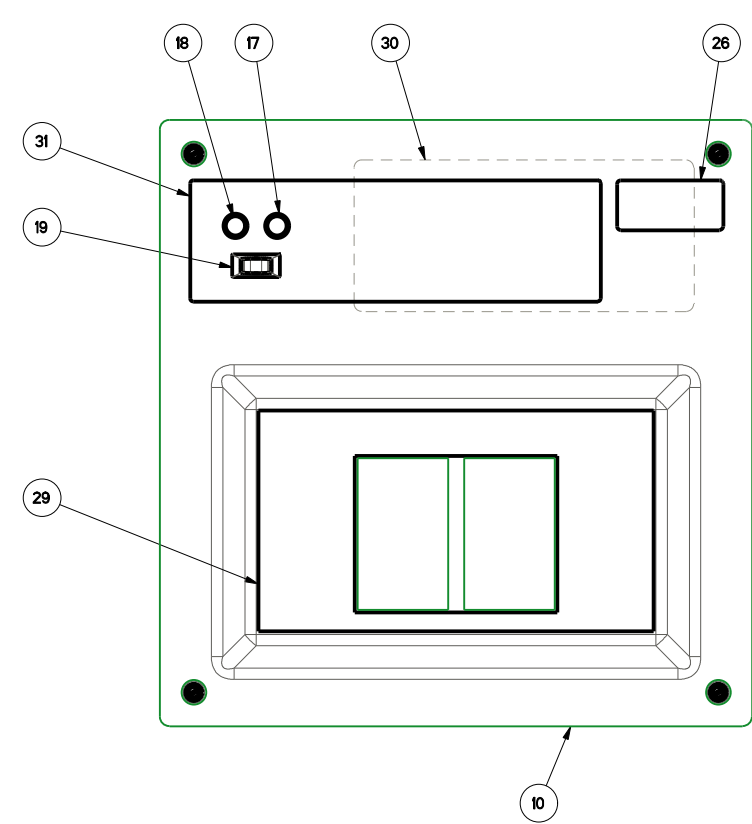
EXPLODED VIEW: EV HL6500E

DRAWING #: 0L2497

GROUP EV

ITEM	PART#	QTY.	DESCRIPTION
59	0H3535	2	NUT FLANGE M5-0.8 NYLOCK
60	052618	2	SCREW HHC M5-0.8 X 12 C8.8
61	022129	6	WASHER LOCK M8-5/16
62	042909	4	SCREW HHC M8-1.25 X 30 C8.8
63	0G9028	1	GASKET, EXHAUST, 389CC
64	039253	2	SCREW HHC M8-1.25 X 20 C8.8

ITEM #	PART #	QTY	DESCRIPTION
1	OK8905	1	XFRSW 50A 3P 240V
2	OK0800	9	LUG SLDLSS 1/0-#14X9/16 AL/CU
3	045764	1	SCREW HHTT M4-0.7 X 8 ZP
4	0E7889A	1	8CIR L/CNTR 125A/240V SIEMENS
5	0E7888A	1	CB 0030A 2P PLUG IN SIEMENS
6	0E7888B	5	CB 0015A 1P PLUG IN SIEMENS
7	0E7888C	1	CB 0020A 1P PLUG IN SIEMENS
8	046852	2	SCREW HHTT #10-32 X 1/4 CZ
9	OK76160STOR	1	ENCLOSURE 8 POS. CORE POWER
10	OK89990STOR	1	COVER 8 POS UPG LC RAW
11	OK7985	1	PLATE, ENCLOSURE DIVIDER
12	OK82580STOR	1	HARNES ADAPTER PLATE 1" CONDUIT
13	OK82620STOR	1	COVER BLANK RAW
14	OK8326	4	SCREW HWH 10-32X1/2 TRIL W/W
15	026902	2	SCREW HHTT #8-32 X 1/4 CZ
16	0AT215	3	SCREW HWH 1/4-20 X 5/8 NY/W
17	OK8870	1	INDICATOR NEON AMBER PNL MTD
18	OK8871	1	INDICATOR NEON GREEN PNL MTD
19	OK8872	1	SWITCH ROCKER SPDT 16A 250V
20	OK9607	1	GROUND BAR (10) 4-14 AWG ALUM CONN
21	023762	2	WASHER LOCK EXT #10 STL
22	0L0197	2	SCREW PHTT #10-32 X .750 CZ
23	0F9199	1	PLUG PLASTIC 1.093-1.125
24	0E6155	1	PIN ARM EXTENDER
25	OK8254	1	U-CLIP ADHESIVE
26	0G3274	1	DECAL LIVE CIRCUIT ENG/FRN/SPN
27	0G8238	1	DECAL, UL PANELBOARD
28	0H6435K	1	DECAL DATA RTG SW. P/N 0K3808
29	OK5129	1	DECAL LC 8 CIRC. GENERAC
30	OK3010	1	DECAL TEST SEQ/OPERATIONAL
31	OK9604	1	DECAL, UTILITY GEN. OPERATION
32	OK5154B	1	HARNES LC RTG INT CONN T1
33	OK5154C	1	HARNES LC RTG INT CONN T2
34	OK9625	1	HARNES LC MTS INT CONN T3
35	OK9400	1	HARN MTS-MAIN PNL 8CIR W/NEUT
36	OK9654	1	HARNES LC MTS INT.CONN 8 (NOT SHOWN)



TERMINAL TIGHTENING TORQUE			TERMINAL TIGHTENING TORQUE			TERMINAL TIGHTENING TORQUE		
CB (AMPS)	WIRE SIZE	TORQUE	TERMINAL	WIRE SIZE	TORQUE	TERMINAL	WIRE SIZE	TORQUE
10-25	14-8 AWG	25 IN/LBS	10-14 CU/10-12 AL	20	IN/LBS.	10-14 CU/10-12 AL	35	IN/LBS.
30-35	14-6 AWG	25 IN/LBS	NEUTRAL CONNECTION	8 AWG.	25 IN/LBS.	GROUND CONNECTION	8 AWG.	40 IN/LBS.
40-50	8 AWG / 6-4 AWG	40/45 IN/LBS		6-4 AWG.	35 IN/LBS.		6-4 AWG.	45 IN/LBS.

REFERENCE DRAWINGS
 WIRING DIAGRAM - 0K9433
 SCHEMATIC DIAGRAM - 0K9434

PART NUMBER	DESCRIPTION
OK9001	LCTR ASSY 8 CIR-GENERAC W/WHIPS
OK9001A	EXPLODED VIEW DRAWING

GENERAL TOLERANCES UNLESS NOTED

ALL XX : ± 0.4 MM
 XXX : ± 0.4 MM
 XXXX : ± 0.25 MM
 ALL ANG : ± 1°

INTERPRET DIM AND TOL PER ASME Y14.5M-1994

THIRD ANGLE PROJECTION

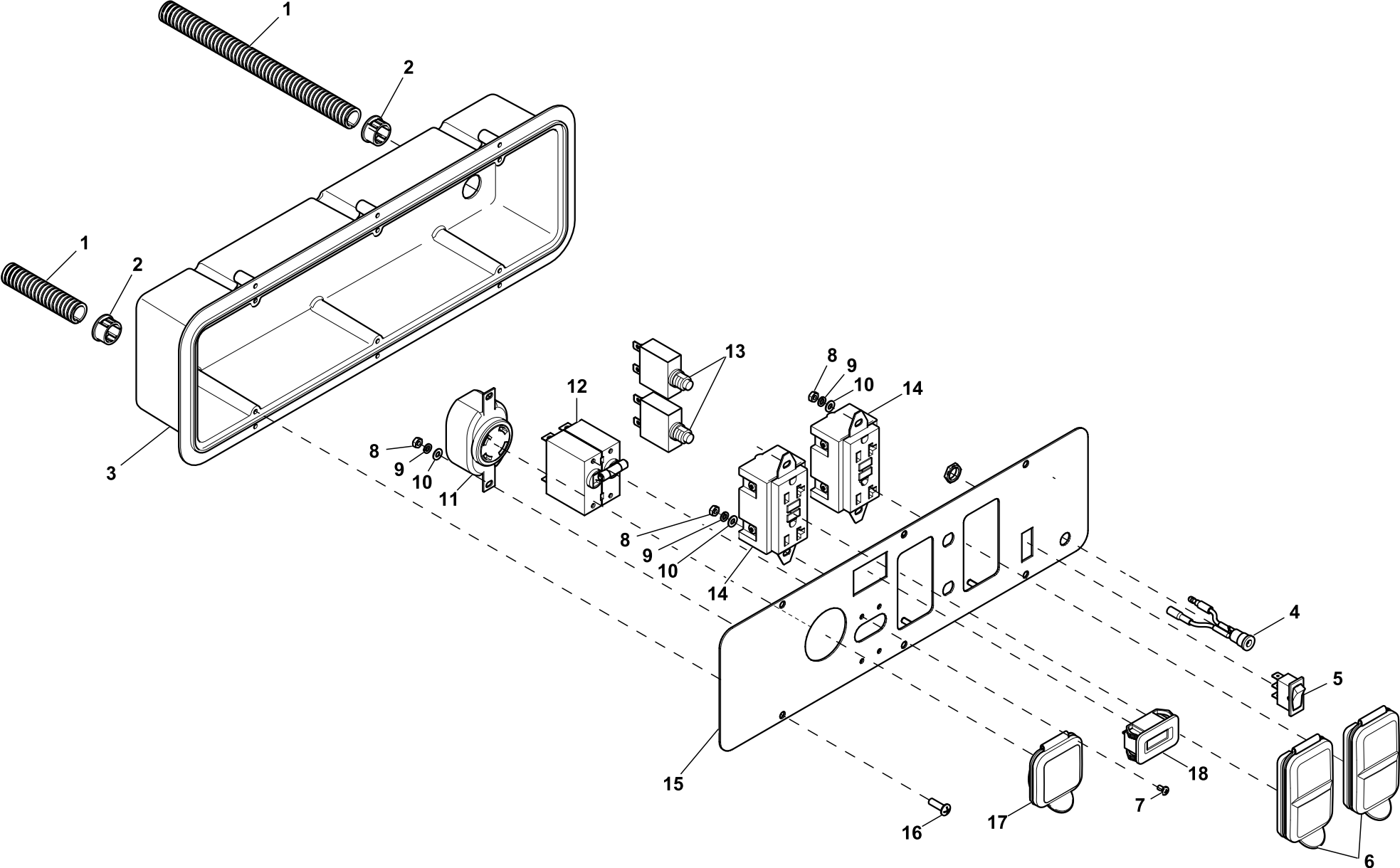
GENERAL

TITLE: ASSEMBLY UPGRADABLE 8 CIRCUIT

ISSUE DATE:	SCALE: 0, 400	WT-KG: 325320722, 3D	SHEET: 1 of 1
SIZE: D	CAGE NO: N/A	DWG NO: OK9001S	REV: 1

DRAWING CREATED FROM PROVENIENCE 3D FILE. ECO MODIFICATION TO BE APPLIED TO SOLID MODEL ONLY.

GENERAL ASSEMBLY DRAWING



EXPLODED VIEW: EV HL6500E CONTROL PANEL**DRAWING #:0L2498****GROUP EV**

ITEM	PART#	QTY.	DESCRIPTION
1	077043U	1.09FT	CONDUIT FLEX 1/2"
2	0A5489	2	SNAP BUSHING.75 OPEN
3	0K2151	1	CONTROL PANEL BACK BOX
4	0J4959	1	ASSY 12VDC CHARGER INPUT GP
5	0G9549	1	SWITCH SPDT (ON)-OFF-ON 20A
6	0G9392	2	COVER, 20A 120V GFCI/DUPLEX
7	036900	4	SCREW PPHM #6-32 X 1/4
8	051715	6	NUT HEX M4-0.7 G8 YEL CHR
9	078437	6	WASHER LOCK #8-M4 SS
10	043180	6	WASHER FLAT M4
11	0H2929	1	OUTLET 30A 120/250V SPCGR
12	0G9023C	1	CB 0030A 2P 240V C AA2 QT
13	0H0265C	2	CB 20A 1P CUL/CSA
14	0D4966	2	OUTLET 20A 120V GFCI GF20BK
15	0K2152A	1	WLDMNT CTRL PNL HL6500E
16	0G8382	6	SCREW PPPH #8-16 X .66" BZC
17	0G9391	1	COVER,30A 120/240V
18	0G8321	1	HOUR METER W/ALERTS AC/DC