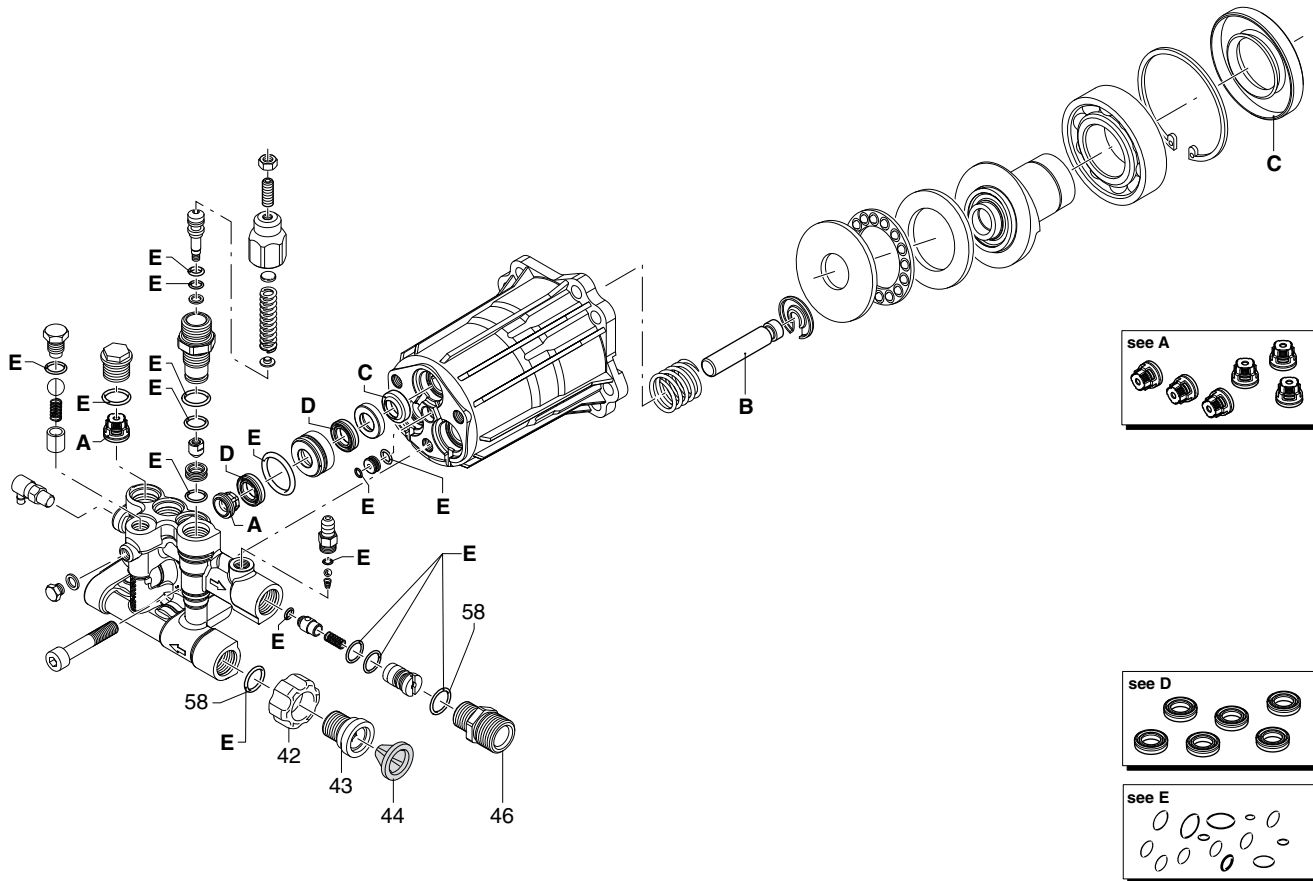


POWER WASHER PUMP, AXIAL-2.5GPM 3000 PSI – REPLACEMENT PARTS



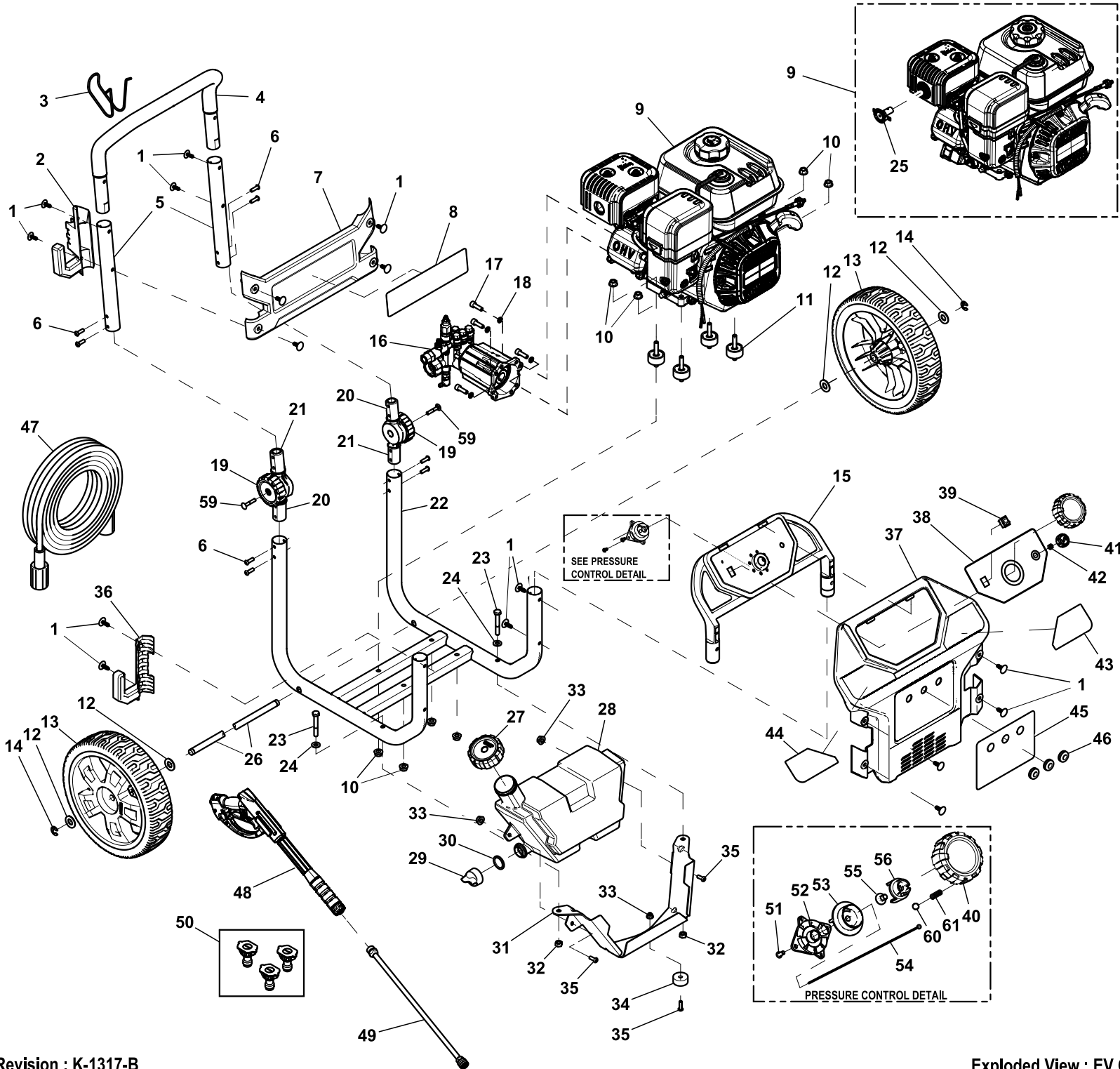
REF. #	Generac Part #	QTY	Description
	OJ7764	1	PUMP, AXIAL-2.5GPM 3000PSI
42	0H95650120	1	FITTING, SUCTION
43	0H95650121	1	FITTING, SUCTION
44	0H95650122	1	FILTER
46	0H95650123	1	FITTING, OUTLET
58	0H95650124	2	O-RING
64	0H9570	1	VALVE ASSY., THERMAL RELIEF

REF. #	Generac Part #	QTY	Description
A	OJ04790110	1	KIT, VALVE
D	OJ04790113	1	KIT, WATER SEALS
E	OJ77640110	1	KIT, O-RINGS
	0H95650116	1	KIT, UNLOADER (NOT SHOWN)

GENERAC[®]

Generac Power Systems, Inc.
 S45 W29290 Hwy. 59
 Waukesha, WI 53189
 1-888-GENERAC (1-888-436-3722)

GROUP EV



GROUP EV

ITEM	PART	QTY.	DESCRIPTION
1	0K0435	16	FASTNER, RIBBED SHANK CHRSTM TR
2	0K0044	1	CAP W/GUN-WAND
3	0J3052	1	HOOK-HOSE
4	0K0042	1	HANDLE
5	0J9729	2	TUBE-HANDLE
6	0J1545	8	SCREW BHSP M6 X 19MM
7	0K0041	1	BILLBOARD-UPPER
8	0K0444	1	DECAL HANDLE (3000)
	0K0444A	1	DECAL HANDLE (3100)
9	0K5514	1	ENGINE 212CC G19 EPA3 (3000 & 3100)
	0K5516	1	ENGINE 212CC G19 EPA3 CARB (3000 & 3100)
10	067989	8	NUT HEX FL WHIZ M8-1.25
11	021217	4	VIB MNT 16 X 35 X M8-1.25
12	022304	4	WASHER FLAT 1/2 ZINC
13	0K0256A	2	WHEEL 11" X 2.5" X 0.5"
14	0K0982	2	RING SNAP 1/2 TYPE E
15	0K0046	1	BILLBOARD-LOWER CONTROL
16	0J7764	1	PUMP, AXIAL-2.5GPM 3000PSI
17	0J3315	4	SCREW SHC M8-1.25 X 25 C8.8
18	092479	4	WASHER LOCK M8 RIBBED
19	0J9741	2	CAP-KNOB, HANDLE
20	0J9646	2	HINGE PLATE HANDLE
21	0J9645	2	HINGE PLATE FRAME
22	0J9708	1	WELDMENT TUBE FRAME BLACK
23	0J3317	2	SCREW HHC M8-1.25 X 55 PC8.8
24	022145	2	WASHER FLAT 5/16-M8 ZINC
25	0K1851	1	SPARK ARRESTER (CARB ENGINE ONLY)
26	0J9739	1	AXLE, 1/2" DIA
27	0J9793	1	CAP-CHEMICAL FILL
28	0K0257	1	TANK-CHEMICAL
29	0J9794	1	CAP-DRAIN
30	0K1964	1	GASKET, CAP DRAIN
31	0K1814	1	BRACKET-MOUNTING FOOT, WELDED
32	049820	2	NUT HEX LOCK M8-1.25 NY INS

ITEM	PART	QTY.	DESCRIPTION
33	0D3700	3	NUT FLANGE M6-1.0 NYLOK
34	0J2229	1	VIBRATION MOUNT 1-1/4" OD
35	0J5086	1	SCREW BHSC M6-1.0 X 20 ZP
36	0K1138	1	CAP-W/GUN
37	0K0045	1	BILLBOARD-LOWER
38	0K0877C	1	DECAL BILLBOARD LWR CNTRL 3100
39	0K0442	1	SWITCH, ON-OFF
40	0K0138	1	KNOB CONTROL
41	0K0781	1	CAP CHOKE CABLE
42	0K1744	1	NUT HEX M10X1.0X6
43	0K0445	1	DECAL QUICK SET UP
44	0K0054	1	DECAL INSTRUCTIONS PW
45	0K0053	1	DECAL NOZZLES BILLBOARD
46	0J3079	3	GROMMET-NOZZLE
47	0K0921A	1	HOSE 30 FT X 1/4" W/M22 CONN
48	0H9642A	1	GUN ASSEMBLY - GC
49	0H9640	1	LANCE ASSY - 20" LONG
50	0H9617G	1	KIT-NOZZLE
51	0K0899	2	SCREW BHSP M4 X 10MM
52	0K0139	1	PLATE-STEPPED CONTROL
53	0K0140	1	ROTOR-STEPPED CONTROL
54	0K0438A	1	BOWDEN CABLE
55	0K0573	1	SCREW BFHSC M6-1.0 X 10 BLK ZP
56	0K0141	1	KNOB SYNCHRONIZER-CONTROL
59	0K1579	2	CHB M6-1.00 X 35MM LONG
60	0K1132	1	BALL, 7MM, STAINLESS
61	0K1109	1	SPRING, DETENT