

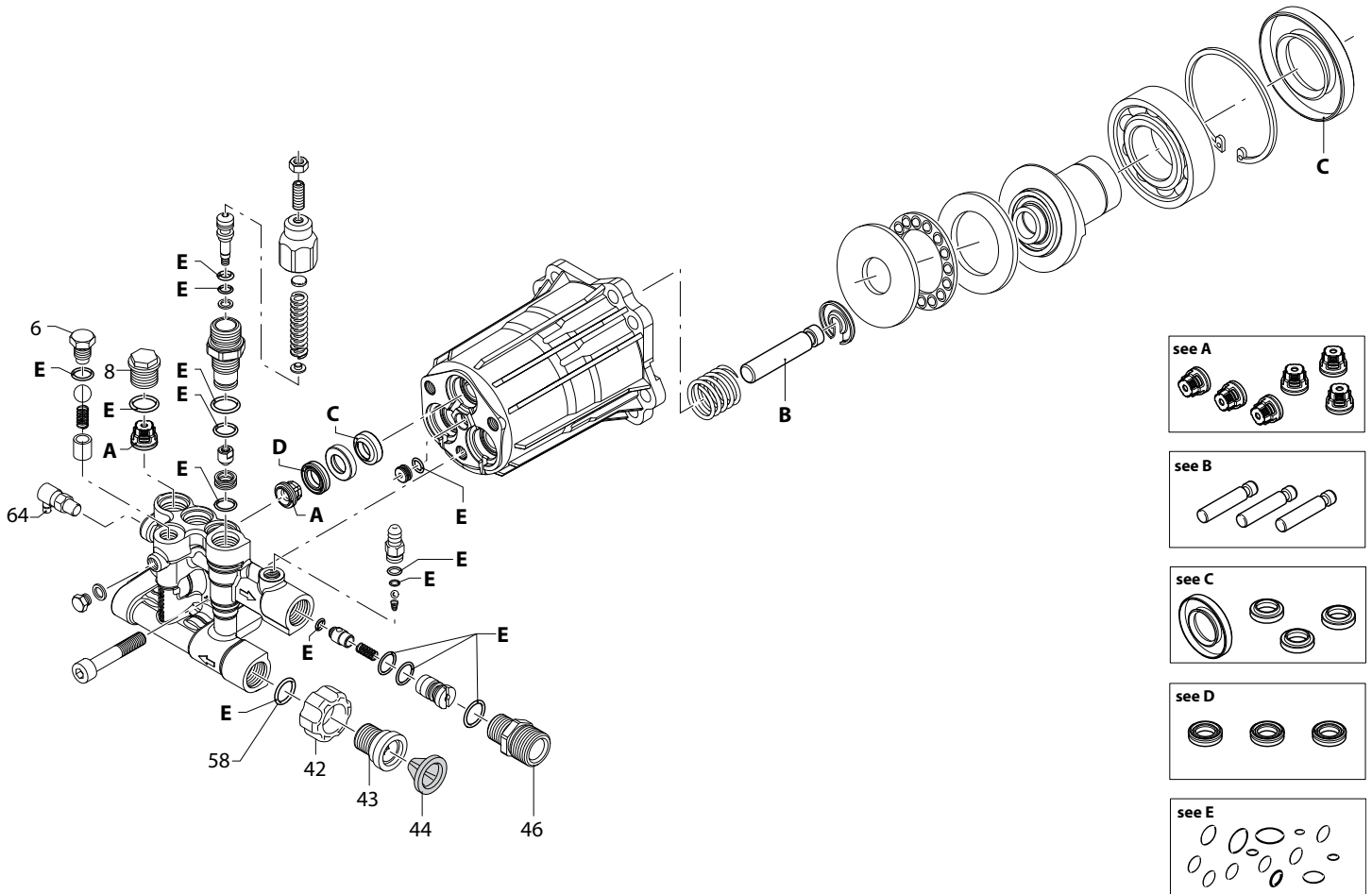
EXPLODED VIEW: EV PW CONSUMER 2500-3100PSI

DRAWING #: 0K5883

GROUP EV

ITEM	PART#	QTY.	DESCRIPTION
1	0K0921	1	HOSE 1/4"X25' W/M22 CONN 3100 (2500-2800 PSI)
	0K0921A	1	HOSE 1/4"X30' W/M22 CONN 3100 (3100 PSI)
2	0J1449	6	CHRISTMAS TREE FASTENER
3	0J3055C	1	ASSY-UPR BB 3 HOLE ORG (2500 PSI)
	0J3055D	1	ASSY-UPR BB 4 HOLE ORG (2800 PSI)
	0J3055E	1	ASSY-UPR BB 5 HOLE ORG (3100 PSI)
4	0J3079	3	GROMMET-NOZZLE (2500 PSI)
	0J3079	4	GROMMET-NOZZLE (2800 PSI)
	0J3079	5	GROMMET-NOZZLE (3100 PSI)
5	0J1444	1	SCREEN-GARDEN HOSE INLET
6	0J3052	1	HOOK-HOSE
7	0K6273	2	TUBE-GC/GX HANDLE
8	0J3315	4	SCREW SHC M8-1.25X25 C8.8 ZP
9	092479	4	WASHER LOCK M8 RIBBED C8.8 ZP
10	0K1663	1	PUMP, AXIAL 2.2 GPM, (2500/2800 PSI)
	0J7764	1	PUMP, AXIAL (3100PSI)
11D	0K4051	1	ENGINE 196CC G19 EPA3 (2500/2800 PSI)
11E	0K4443	1	ENGINE 212CC G19 EPA3 (3100 PSI)
11F	0K4901	1	ENGINE 196CC G19 EPA3 CARB (2800 PSI)
11G	0K4902	1	ENGINE 212CC G19 EPA3 CARB (3100 PSI)
12	067989	4	NUT HEX FL WHIZ M8-1.25
13	0J6276	2	WHEEL 10" X 1.75"X0.5" DIA 2PC
14	0J3374	1	DECAL QUICK START GC/GX
15	0K0982	2	RING, SNAP 1/2 TYPE E
16	022304	2	WASHER FLAT 1/2 ZINC
17	0K5904	2	WASHER NYLON .50 X 1.00 X .250
18	0J2042A	1	WLDMNT,GC/GX TUBE FR RAW 1/2"
19	0J2045A	1	MOUNT-FOOT ORG
20	0J3331	4	SCREW BFHSC M6-1.0 X 45 BLK ZP
21	0J2229	1	VIBRATION MOUNT 1-1/4" OD
22	0J1545	1	SCREW BHSP M6-2.5 X 19MM (2500 PSI)
	0J1545	2	SCREW BHSP M6-2.5 X 19MM (2800 PSI)
	0J1545	3	SCREW BHSP M6-2.5 X 19MM (3100 PSI)
23	089230	4	SCREW HHFC M8-1.25 X 35 G8.8
24	0D3700	4	NUT FLANGE M6-1.0 NYLOK
25	0J9739B	1	AXLE 1/2" DIA
26	0J2048	1	CAP, CHEMICAL TANK W/O HOLE (3100 PSI)
27	0J2047A	1	TANK-CHEMICAL LH/RH 1/2" (2800 PSI)
	0J2047A	2	TANK-CHEMICAL LH/RH 1/2" (3100 PSI)
28	0H9642A	1	GUN (2500-2800 PSI)
	0J7555	1	GUN-W/O RIBS (3100 PSI)
29	0H9640	1	LANCE ASSY-20" LONG
30	0H9617	1	KIT-NOZZLE (2500 PSI)
	0H9617A	1	KIT-NOZZLE (2800 PSI)
	0H9617B	1	KIT-NOZZLE (3100 PSI)
31	0G5442	2	SNAP BUTTON - .437" DIA. HEAD
32	0K1287C	1	DECAL-NOZZLE ID 3 NOZZLE MATTE (2500 PSI)
	0K1287D	1	DECAL-NOZZLE ID 4 NOZZLE MATTE (2800 PSI)
	0K1287E	1	DECAL-NOZZLE ID 5 NOZZLE MATTE (3100 PSI)
33	0K1286C	1	DECAL-GEN 2500PSI 2.3GPM (MAT)
	0K1286D	1	DECAL-GEN 2800PSI 2.5GPM (MAT)
	0K1286E	1	DECAL-GEN 3100PSI 2.7GPM (MAT)
34	0J2049	1	CAP, CHEMICAL TANK W/HOLE (2800/3100 PSI)
35	0J5710	1	DETERGENT HOSE AND FILTER
36	0K6007	1	DECAL QUICK START- FIXED SPEED

POWER WASHER PUMP, AXIAL-2.2GPM 2600 PSI – REPLACEMENT PARTS



REF. #	Generac Part #	QTY	Description
	0K5580	1	PUMP, AXIAL 2.2GPM 2600 PSI
6	0H95650130	1	PLUG, SCREW UNLOADER
8	0K55800110	1	PLUG, VALVE
42	0H95650120	1	FITTING, SUCTION
43	0H95650121	1	FITTING, SUCTION
44	0H95650122	1	FILTER
46	0H95650123	1	FITTING, OUTLET
58	0H95650124	2	O-RING 014X2
64	0H9570	1	VALVE ASSY., THERMAL RELIEF

REF. #	Generac Part #	Description
A	0K55800111	KIT - VALVES
B	0H95650111	KIT - PISTONS
C	0J93750102	KIT - OIL SEALS
D	0H95650113	KIT - WATER SEALS
E	0K16630110	KIT - O-RINGS

GENERAC®

Generac Power Systems, Inc.
S45 W29290 Hwy. 59
Waukesha, WI 53189
1-888-GENERAC (1-888-436-3722)

Part No. 0K5580PMNL Printed in USA Rev. A 05/01/14
©2014 Generac Power Systems, Inc. All rights reserved.
Specifications are subject to change without notice
No reproduction allowed in any form without prior written consent from Generac Power Systems, Inc.

generac.com

Internal Use Only – Not for Distribution