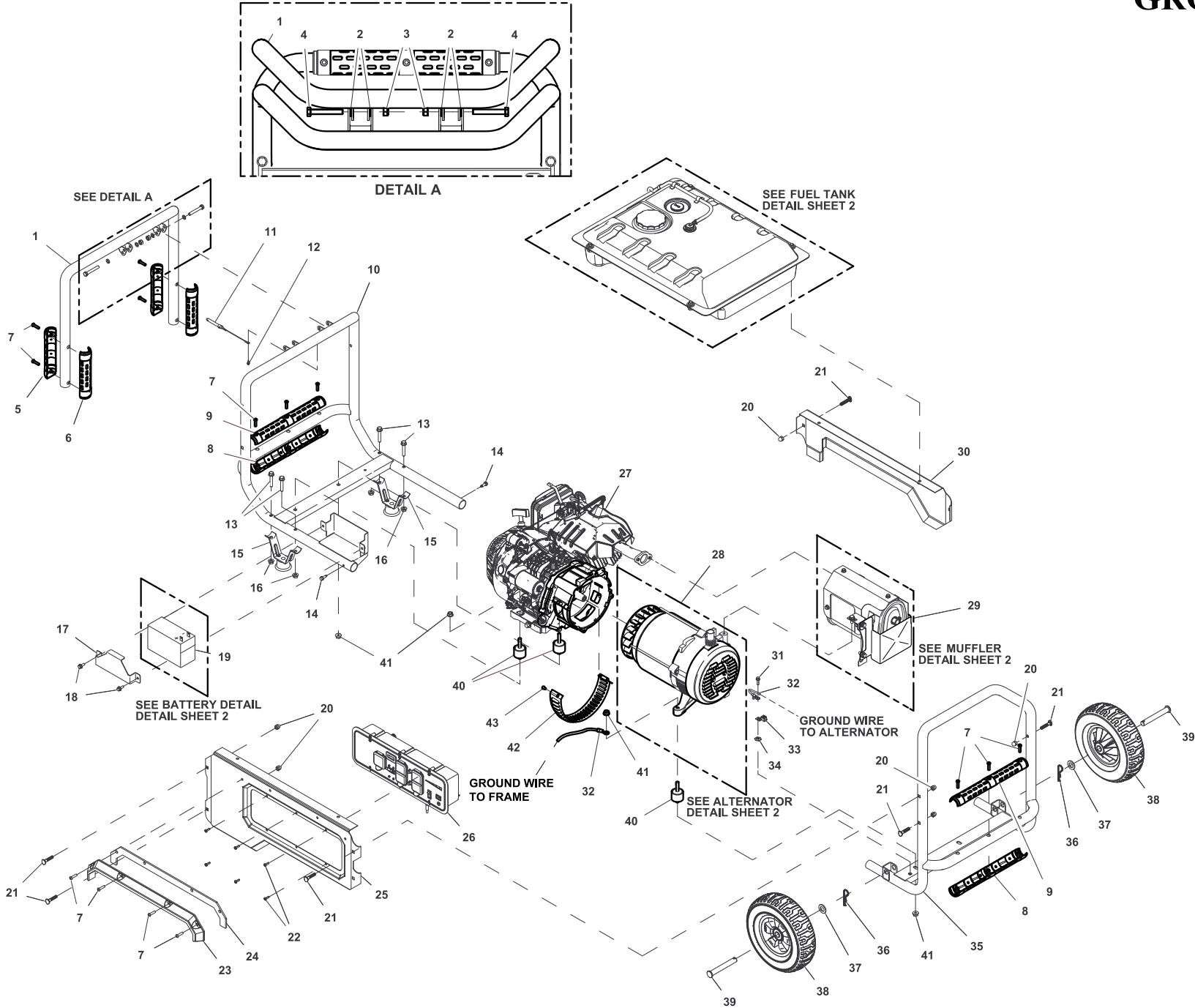
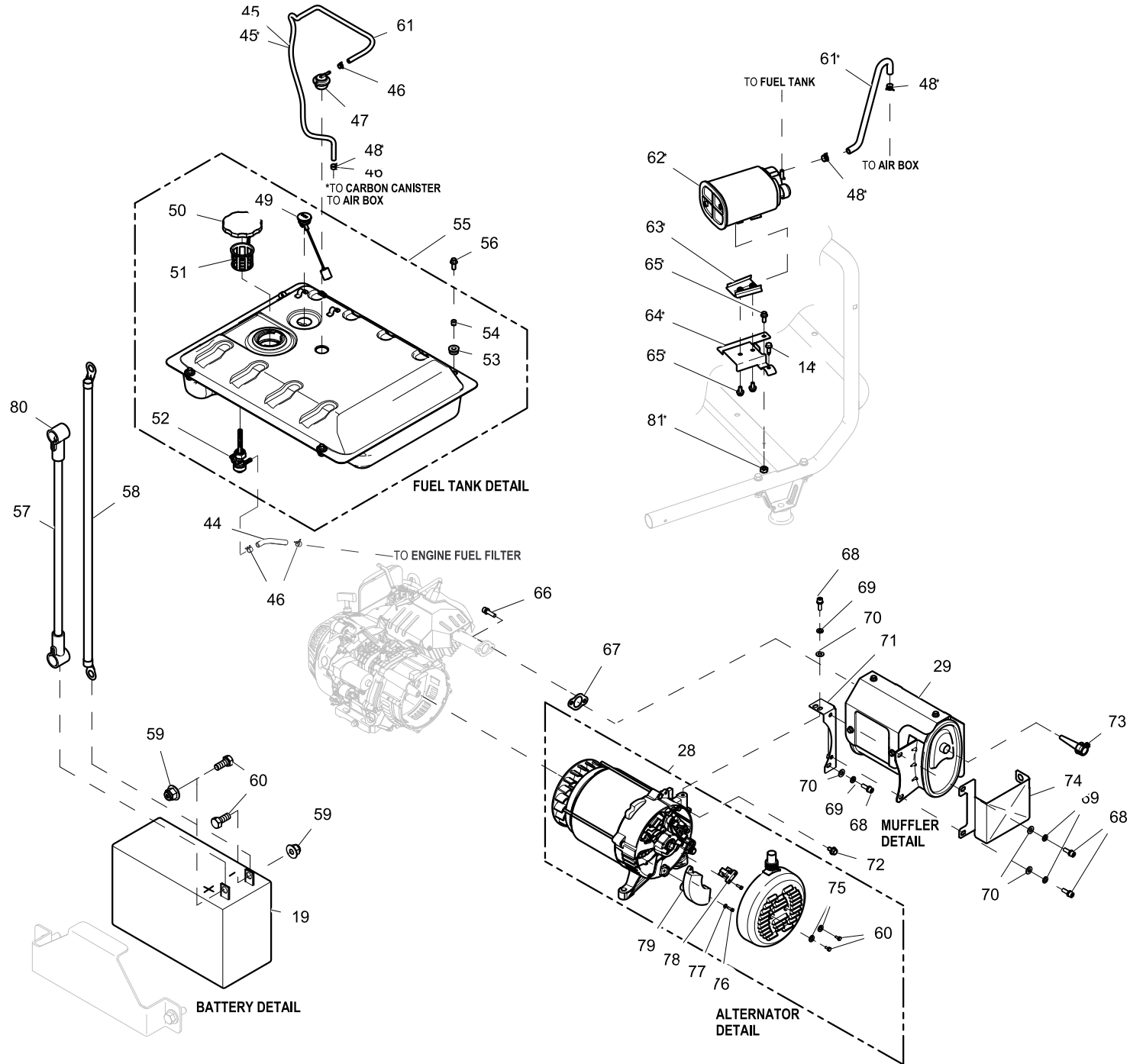


# GROUP B





\*CARB MODELS ONLY

**EXPLODED VIEW: EV XT8000E**

**DRAWING #: 0K3609**

**APPLICABLE TO:**

**GROUP EV**

ITEM	PART#	QTY.	DESCRIPTION
------	-------	------	-------------

**PAGE 1**

1	1000013350	1	ST03 XT HANDLE
2	0K3431	4	WASHER FLAT M8 NYLON
3	049820	2	NUT HEX LOCK M8-1.25 NY INS
4	0J3317	2	SCREW HHC M8-1.25X55 8.8 BL ZP
5	0K2868.ASM	2	HANDLE GRIP - TOP XT
6	0K2869	2	HANDLE GRIP - BOTTOM XT
7	0K3147	14	SCREW BHSC M6-1.0 X 25 BLACK
8	0K2860	2	GRAB BAR GRIP - TOP
9	0K2861	2	GRAB BAR GRIP - BOTTOM
10	10000013103	1	ST03 XT CRADLE ENGINE HALF
11	0K3399	1	PIN QUICK RELEASE XT
12	G045764	1	SCREW HHTT M4-0.7 X 8 ZP
13	0H1779	4	SCREW HHFC M8-1.25 X 45
14	0L2176	2	SCREW HHSD PREMIUM 1/4-14X1 BZ
15	0K3242	2	FOOT ASSY XT
16	0J9125	4	NUT HEX FL WHIZ M8-1.25
17	0J6418	1	BRACKET BATTERY HOLD DOWN GP
18	0G0926	2	SCREW HHFCS M6-1 X 16 G8.8
19	0G9449	1	BATTERY 12V SEALED
20	0H1782	6	CAP NUT M8-1.25 BLACK ZINC
21	0K2857	6	CURVE HD SQ NECK M8-1.25X41LNG
22	0K3130	12	SCREW PPPH M5-0.8 X 16 BZC
23	0K2865	1	VISOR PLASTIC - XT
24	0K2866	1	VISOR GASKET - XT
25	0K21500	1	SIDE PANEL, CONTROL, XT
26	0K2144	1	CONTROL PANEL ASSEMBLY XT8000E
27	0H9838D	1	ENGINE 420 ES W/O MFLR EPA PH3
28	0K0755	1	ALT 7500W ALUMINUM BRUSH TYPE
29	0H9763B	1	ASSY MUFFLER GP 7.5KW LONCIN
30	0K2858	1	SIDE PANEL EXHAUST SIDE XT
31	0G3110	1	SCREW HHTT M6-1.0 X 20 ZINC
32	0742600186	1	GROUND WIRE BRG CAR-LUG 4KW
33	G055414	1	LUG SLDLSS #2-#8 X 17/64 CU
34	0A1658	1	WASHER LOCK SPECIAL 1/4"
35	10000013243	1	ST03 XT CRADLE ALTERNATOR HALF
36	0H3443	2	COTTER HAIRPIN 2.56 X .80
37	0A1646	2	WASHER FLAT M16
38	0H9589B	2	WHEEL 10D X 3 NVR FLT XT8
39	0J9808	2	AXLE PIN 5/8X4 1/2 3/4 HEAD
40	0H2043	4	VIB MOUNT 35 X 12 X M8-1.25
41	G067989	8	NUT HEX FL WHIZ M8-1.25
42	0J6460	1	SCROLL ALTERNATOR GP
43	G045770	1	SCREW HHC M5-0.8 X 10 C8.8

**PAGE 2**

44	0G9757A	1	FUEL HOSE 4 ID X 8.00D X 55MM
45	0K2925	1	HOSE FORMED ROV-AIRBOX 420CC
46	048031G	3	CLAMP HOSE BAND .41
47	0J7921	1	ASSEMBLY ROV
48	048031C	1	CLAMP HOSE BAND .50
48*	048031C	2	CLAMP HOSE BAND .50
49	0H9005A	1	FUEL GAUGE 150 MM LONG ARM
50	0H0958A	1	ASSY GAS CAP SEALED - BLACK
51	0H1326	1	STRAINER, FUEL CAP
52	0J0974	1	VALVE FUEL SHUTOFF
53	0H1411B	4	RUBBER MOUNT 10.3 ID X 11 HGT
54	0H1610A	4	ANTI-CRUSH 10.80D 9ID 10LG
55	0H7591B	1	FUEL TANK ASSY 8 GAL XT
56	0G5445	4	SCREW HHTT M8-1.25 X 20
57	0742600198	1	WIRE ASSY 8GA 11" RED
58	0742600199	1	WIRE ASSY 8GA 17"; BLACK
59	0H3535	2	NUT FLANGE M5-0.8 NYLOCK
60	G052618	2	SCREW HHC M5-0.8 X 12 C8.8
61*	0K3542	1	HOSE FORMED ROV-CANISTER 420CC
62*	0H0957	1	CARBON CANISTER
63*	0K35140	1	CARBON CANISTER MOUNT XT
64*	0K35120	1	CARB CAN CRADLE BRACKET XT_INST
65*	0C8563	3	SCREW HHFC M6-1.0 X 12 G8.8
66*	G039253	2	SCREW HHC M8-1.25 X 20 C8.8
67	0G9028	1	GASKET, EXHAUST, 389CC
68*	G042909	4	SCREW HHC M8-1.25 X 30 C8.8

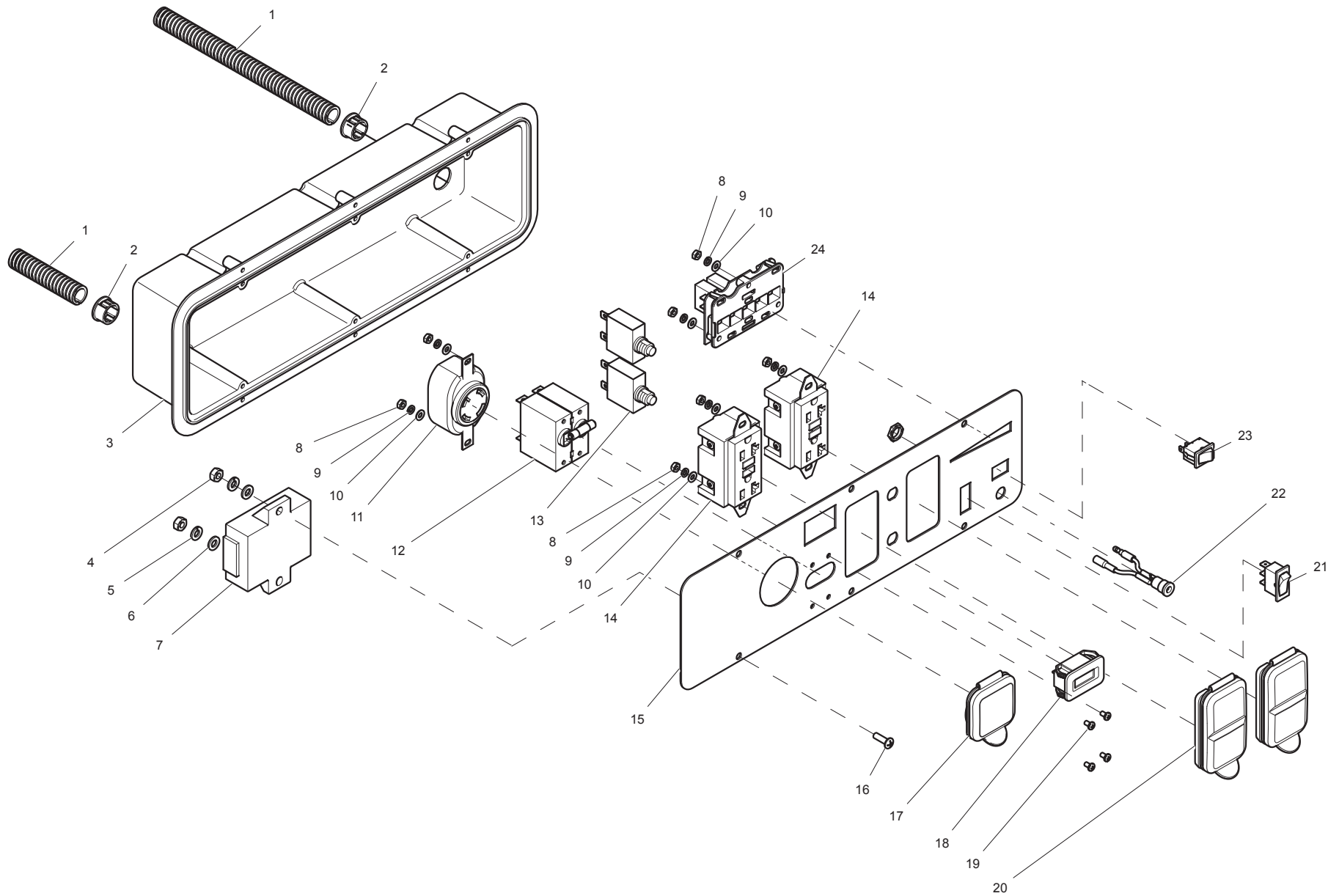
**EXPLODED VIEW: EV XT8000E**

**DRAWING #: 0K3609**

**APPLICABLE TO:**

**GROUP EV**

ITEM	PART#	QTY.	DESCRIPTION
69	G022129	6	WASHER LOCK M8-5/16
70	G022145	4	WASHER FLAT 5/16-M8 ZINC
71	0G8542	1	BRACKET, MUFFLER 389CC
72	0G0919	1	SCREW HHFCS M6-1 X 12 G8.8
73	0K3857	1	SPARK ARRESTOR ASSY USFS
74	0K4731	1	HEAT SHIELD
75	G049226	8	WASHER LOCK M5
76	G049815	5	SCREW HHC M5-0.8 X 16 G8.8
77	G051713	9	WASHER FLAT M5
78	0H0919	1	ASSEMBLY,BRUSH
79	0H2579B	1	AVR 5.5-7.5KW VISION ALT
80	0G6392	2	BOOT, VINYL STARTER-SOLENOID
81*	0B2236	1	NUT HEX LOCK M6-1 NY INS



ITEM	PART	QTY.	DESCRIPTION
1	077043B	1.09 FT	CONDUIT FLEX .50"ID
2	0A5489	2	SNAP BUSHING.75 OPEN
3	0K2151	1	CONTROL PANEL BACK BOX
4	049813	2	NUT HEX M6-1.0 G8 CLEAR ZINC
5	070005	2	WASHER LOCK M6 SS
6	070007	2	WASHER FLAT M6 SS
7	0K2914	1	CONTROLLER IDLE CONTROL
8	051715	9	NUT HEX M4-0.7 G8 YEL CHR
9	078437	9	WASHER LOCK #8-M4 SS
10	043180	9	WASHER FLAT M4
11	0H2929	1	OUTLET 30A 120/250V SPCGR
12	0G9023C	1	CB 0030A 2P 240V C AA2 QT
13	0H0265C	2	CB 20A 1P CUL/CSA
14	0D4966	2	OUTLET 20A 120V GFCI GF20BK
15	0K2152	1	WLDMNT CTRL PNL PLATE XT
16	0K3130	6	SCREW PPPH M5-0.8 X 16
17	0G9391	1	COVER, 30A 120/240V
18	0G8321	1	HOUR METER W/ALERTS AC/DC
19	036900	4	SCREW PPHM #6-32 X 1/4
20	0G9392	2	COVER, 20A 120V GFCI/DUPLEX
21	0G9549	1	SWITCH SPDT (ON)-OFF-ON 20A
22	0J4959	1	ASSY 12VDC CHARGER INPUT GP
23	087968	1	SWITCH, ROCKER -/0
24	0H3362D	1	TRULOAD POWERBAR ASSY 8.0KW