

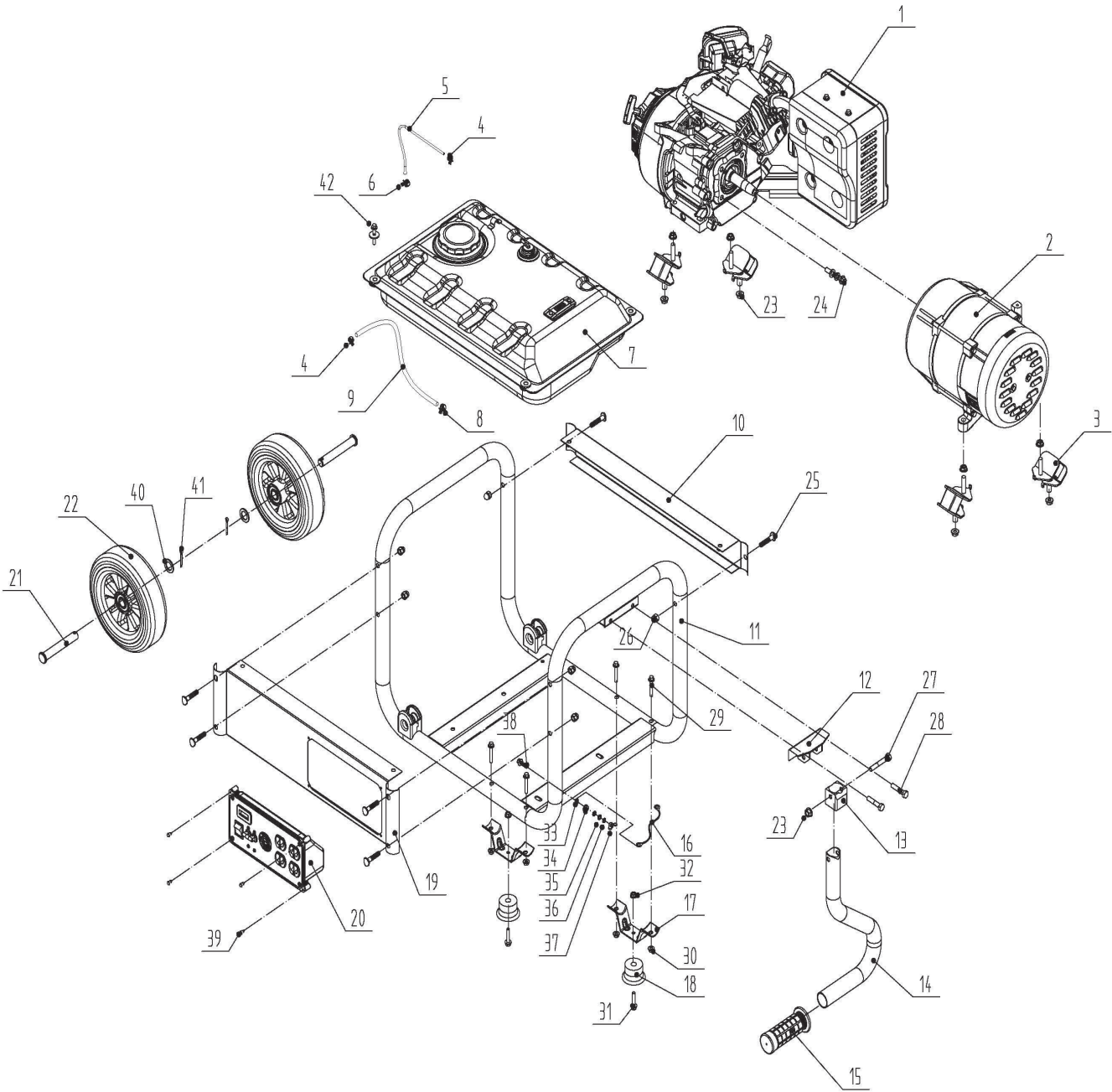


Parts Manual

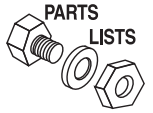
GP3300 208cc (Model 0068870)

NOTICE!

The information in this manual is known to be accurate as of the date of release shown on the cover. However, engineering changes can occur without notice. To obtain the proper parts, please be sure to use the serial number of the unit being serviced when ordering from this manual. Always refer to any parts notes and changes before ordering. All other parts not shown in this manual can be found on Generac's exploded view drawings online on GENservice at www.generac.com.



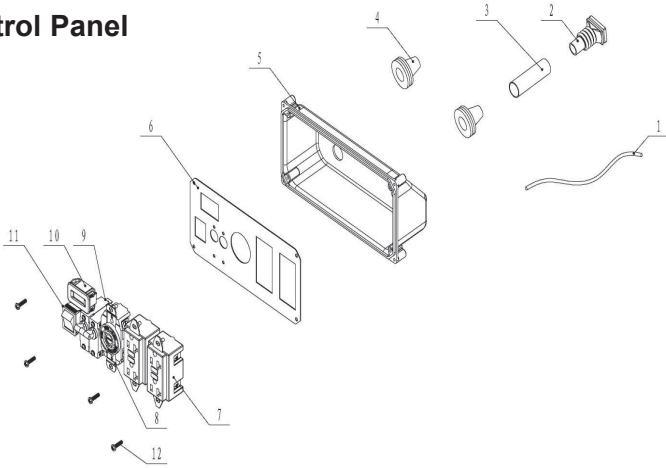
GP3300



Item	Part #	Qty	Description
1	0K6813	1	ENGINE WITH MUFFLER
2	0K3343	1	ROTOR AND STATOR ASSEMBLY
3	0H3415	4	VIBRATION MOUNT
4	0H33750173	2	HOSE CLAMP
5	0K33910110	1	FUEL HOSE
6	0K33910111	1	HOSE CLAMP
7	0K14890SRV	1	FUEL TANK ASSEMBLY
8	0J08180222	1	HOSE CLAMP
9	0J6626	0.16	FUEL HOSE 4.5MM
10	0K28750ST15	1	FUEL TANK REAR BRACKET
11	0K28710ST15	1	FRAME ASSEMBLY
12	0H3408AST15	1	HANDLE BRACKET
13	0H3396A	1	HANDLE SPACER
14	0H3394AST15	1	HANDLE
15	0J6631A	1	HANDLE GRIP
16	0K33910112	1	GROUND WIRE
17	0J9354AST03	2	FOOT BRACKET
18	0J8836	2	ISOLATOR FOOT
19	0K28720ST15	1	FUEL TANK FRONT BRACKET
20	0K98560110	1	CONTROL PANEL
21	0K2873	2	AXLE

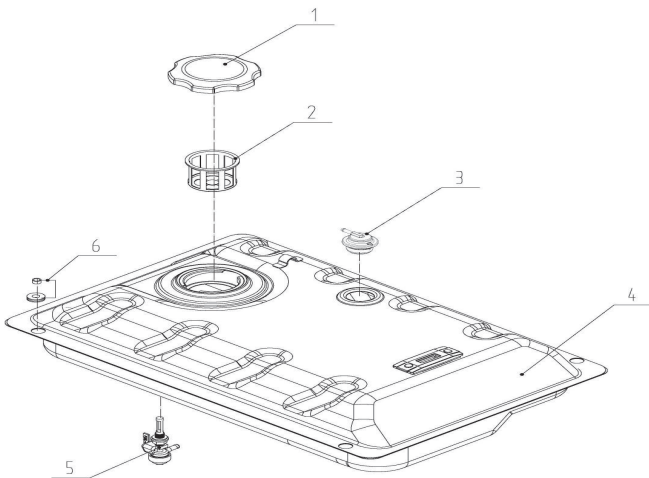
Item	Part #	Qty	Description
22	0H3392	2	WHEEL
23	0J08180243	9	FLANGE NUT (M8)
24	0K33910114	4	FLANGE BOLT (M8X25)
25	0K33910115	6	TANK BRACKET BOLT
26	0K33910116	6	ACORN NUT (M8)
27	0K33910117	1	FLANGE BOLT (M8X55)
28	0H33750248	2	FLANGE BOLT (M8X40)
29	0K33910118	4	FLANGE BOLT (M8X45)
30	0K33910119	4	FLANGE NUT (M8) BLACK
31	0K33910120	2	FLANGE BOLT (M6X28)
32	0K33910121	2	FLANGE NUT (M6) BLACK
33	0J08180249	1	STAR LOCK WASHER
34	0H33750171	1	FLANGE NUT (M6) BLACK
35	0J08180248	2	FLAT WASHER
36	0J08180235	1	SPRING WASHER
37	0K33910122	1	BUTTERFLY NUT (M6)
38	0K33910123	1	FLANGE BOLT (M6X20)
39	0J08180250	4	FILLISTER HEAD SCREW (ST4.2X12)
40	0K33910124	2	FLAT WASHER
41	0K33910125	2	COTTER PIN
42	0K33910126	4	FLANGE BOLT (M8X25) WITH FLAT WASHER

Control Panel



Item	Part #	Qty	Description
1	0K33910127	1	WIRE
2	0K33910128	1	WIRE PROTECTOR BUSHING
3	0K33910129	1	PVC SLEEVING
4	0K33910130	2	TAPER PLUG
5	0K2900	1	CONTROL PANEL REAR COVER
6	0K33920115	1	CONTROL PANEL FACE PLATE
7	0K33920116	2	GFCI OUTLETS
8	0K33910133	1	OUTLET (60HZ-240V)
9	0K33910134	1	CIRCUIT BREAKER
10	0K33910135	1	HOUR METER
11	0H33750287	1	ON-OFF ROCKER SWITCH
12	0K33910136	4	SCREW (ST4.2X15)

Fuel Tank



Item	Part #	Qty	Description
1	0H0958	1	FUEL TANK CAP
2	0H1326	1	FUEL TANK FILTER
3	0J7921	1	ROLL-OVER VALVE
4	0K14900ST03	1	FUEL TANK WELDMENT
5	0H3384	1	FUEL ON/OFF VALVE
6	0J6679	4	FUEL TANK RUBBER MOUNT