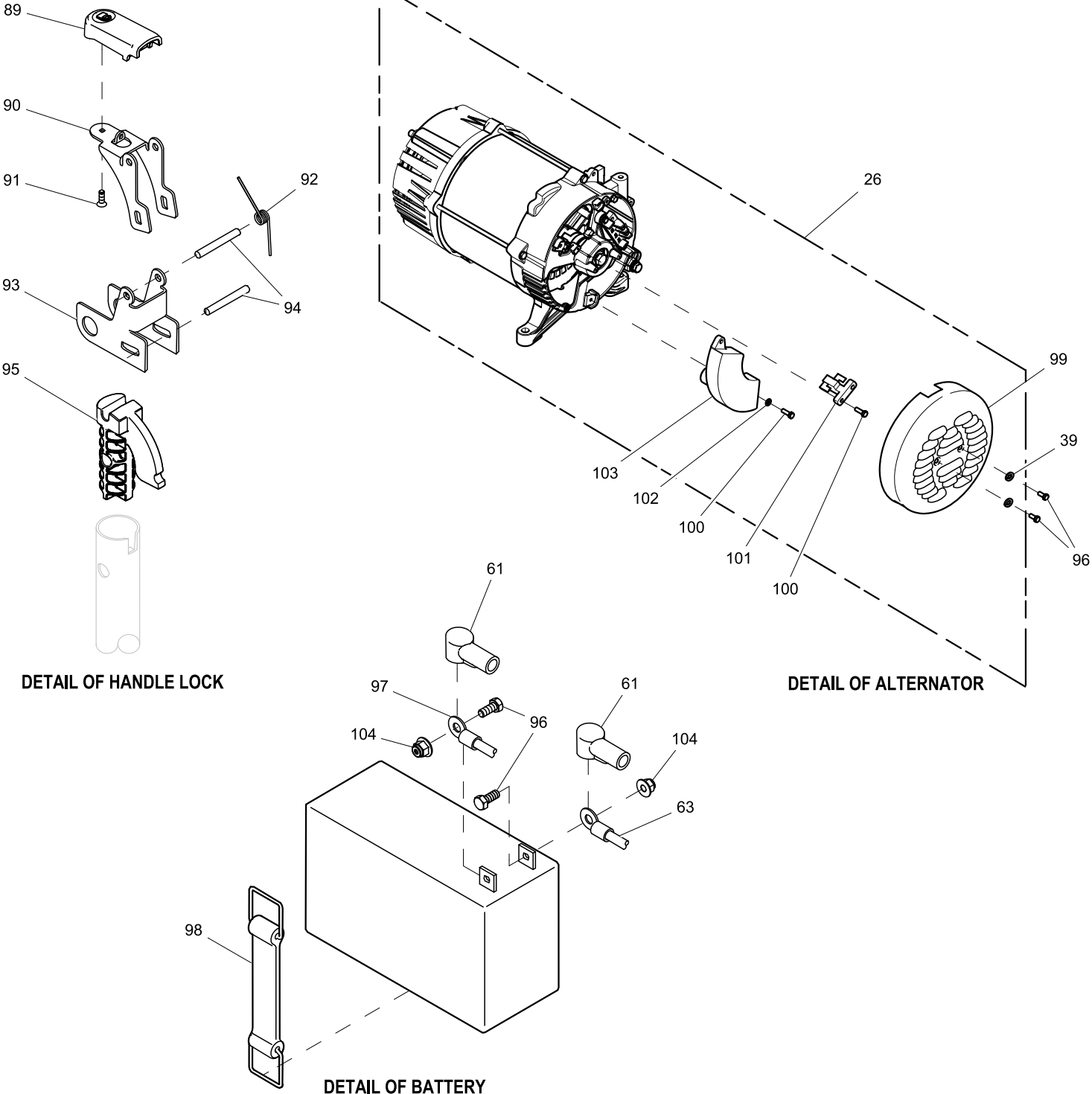


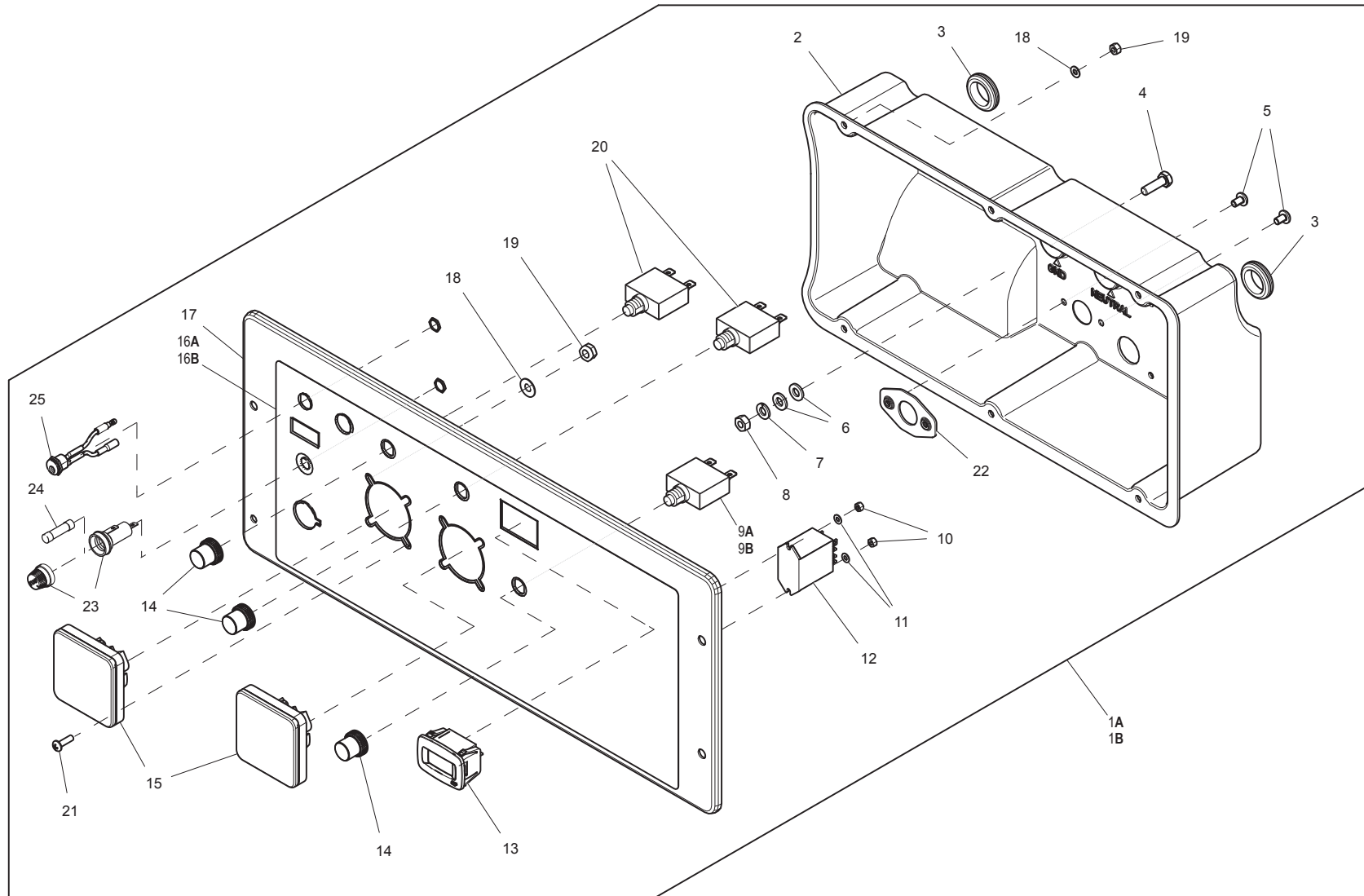
GROUP EV

ITEM	PART	QTY.	DESCRIPTION	ITEM	PART	QTY.	DESCRIPTION
1	0H1325	1	FUEL CAP,VENTED,BLACK CAP	46	0G4933	16	SCREW SWT 1/4-20 X 5/8 W/W
2	0H1326	1	STRAINER, FUEL CAP	47	0G8584	4	BRACKET END PANEL
3	0G9029	4	SCREW HHFC M6-1.0 X 25 FTH	48	0H8013	8	SCREW HHFC M6-1.25X60 C8.8 ZP
4	0H1411	4	RUBBER MOUNT, 10.8 ID X 9 TALL	49	0J1057	1	AXLE 16MM DIA X 681 CLR ZINC
5	0H1610	4	ANTI-CRUSH 10.8OD 9ID 7.8LG	50	0K1980	1	ASSY C-PNL XP 6400E
6	0H7520A	1	FUEL GAUGE,ROUND 6.5" LONG		0K1980A	1	ASSY C-PNL XP 5600E
7	048031G	2	CLAMP HOSE BAND .41	51	0G9449	1	BATTERY
8	0H1780A	2	CURVED HEAD M8-1.25 X 60MM LNG	52	0H8084	1	WELD CRADLE ENGINE END
9	0H7521	1	GROMMET, FUEL GAUGE ROUND	53	0H8149	1	PANEL SIDE XP
10	052677	2	WASHER NYLON .50 X .87 X .06	54	0G9093	2	SCREW SHSHM8-1.25 X 42MM LNG
11	0H7950	2	BUSHING, FLANGED HEAD	55	0G9035A	1	CORNER HANDLE SUPT-LEFT OUTER
12	049820	2	NUT HEX LOCK M8-1.25 NY INS	56	0G9035B	1	CORNER HANDLE SUPT-LEFT INNER
13	0H7955	1	ASSY LIFTING BEAM XP6.5-8	57	070006	1	WASHER LOCK M8 SS
14	0J8850	1	ENGINE GH410 XG 50 HZ	58	0E8388	9	NUT HEX FL WHIZ M6-1.0
15	067989	10	NUT HEX FL WHIZ M10-1.25	59	0H8401	1	BRKT HOLD DOWN BATT CHRGR
16	084508A	2	VIBRATION MNT 45 ANGLE 65 DURO	60	0G8023H	1	BATTERY CHARGER 13.4VDC 2.5A
17	081990	2	SCREW SHC M8-1.25 X 40 C8.8	61	0G6392	4	BOOT, VINYL STARTER-SOLENOID
18	090239	1	GASKET, EXHAUST	62	027529	2	NUT HEX LOCK 1/4-20 NY INS
19	0H3033A	1	ASSY MUFFLER 410CC XG 6.5-7	63	0742600183	1	WIRE, #16 START SOL-STARTER XP
20	0G3730	2	SCREW SHC M8-1.25 X 25 G8.8 SEMS	64	0H8399	1	WELD END PANEL XP
21	0H7504	1	ASSY FUEL TANK 9 GAL XP 49 ST	65	086729	1	CONTACTOR, STARTER SOLENOID
22	039253	2	SCREW HHC M8-1.25 X 20 C8.8	66	089338	2	NUT HEX LOCK #8-32 NY INS BRS
23	0K0050	1	BRACKET MUFFLER	67	0G9034B	1	CORNER HANDLE SUPT-RT INNER
24	022145	4	WASHER FLAT 5/16-M8 ZINC	68	0G9034A	1	CORNER HANDLE SUPT-RT OUTER
25	022129	4	WASHER LOCK M8-5/16	69	0H8168	1	WELD HDL H-STYLE FOLD DOWN
26	SEE SHEET 2	1	ALT 5600W XP 50HZ	70	0H8644	2	GRIP HANDLE FOAM
	SEE SHEET 2	1	ALT 6400W XP 50HZ	71	0F5579	1	SCREW HHC SHLDR M5-0.8X20 G8.8
27	057821	4	SCREW HHC M8-1.25 X 40 C8.8	72	0E4190	1	CLAMP, 3/16" COATED CABLE
28	0742600186	1	GROUND WIRE BRG CAR-LUG 4KW	73	0G9560B	1	CABLE CHOKE PORT NOM 431
29	045771	5	NUT HEX M8-1.25 G8 CLEAR ZINC	74	0J7549	1	TIE WRAP PUSH MNT QUICK REL
30	085651	2	VIB MNT 25 X 31.8 X M8-1.25	75	0G9549	1	SWITCH SPDT (ON)-OFF-ON 20A
31	051767	2	SCREW HHC M6-1.0 X 45 C8.8 FTH	76	0H3455E	1	FUEL HOSE, 160 MM LONG
32	070007	2	WASHER FLAT M6 SS	77	0742600195	1	WIRE ASSY FRAME TO BATT-NEG
33	0H9159	2	ASSY FOOT	78	0H8205	1	MTG, FUEL VALVE RETAINER
34	0H3443	2	COTTER HAIRPIN 2.56 X .80	79	0C5786	1	VALVE, FUEL SHUT OFF
35	0H0653	2	WASHER FLAT 5/8 ID X 0.039"THK	80	0H8130	1	WELD PANEL SIDE C-PNL XP
36	0G8582	2	WHEEL 10"DIA, OFFSET HUB	81	030209	1	SCREW HHC 5/16-24 X 1-1/4 G5
37	0L2176	2	SCREW HHSD PREMIUM 1/4-14X1 BZ	82	022129	1	WASHER LOCK M8-5/16
38	0G3110	1	SCREW HHTT M6-1.0 X 20 ZINC	83	0G9832	1	BRACKET, MOUNTING, ALT 7KW
39	049226	2	WASHER LOCK M5	84	046526	3	WASHER LOCK M10
40	055414	1	LUG SLDLSS #2-#8 X 17/64 CU	85	022511	3	SCREW HHC 3/8-16 X 1-1/4 G5
41	0A1658	1	WASHER LOCK SPECIAL 1/4"	86	0G5737	4	PLUG PLASTIC 0.312
42	0H8083	1	WELD CRADLE ALT END	87	070008	1	WASHER FLAT M8 SS
43	0G8590A	2	CORNER SUPPORT- OUTER	88	022247	2	WASHER FLAT 5/8 ZINC
44	0G8590B	2	CORNER SUPPORT- INNER				
45	0H8152	1	PANEL END XP				

GROUP

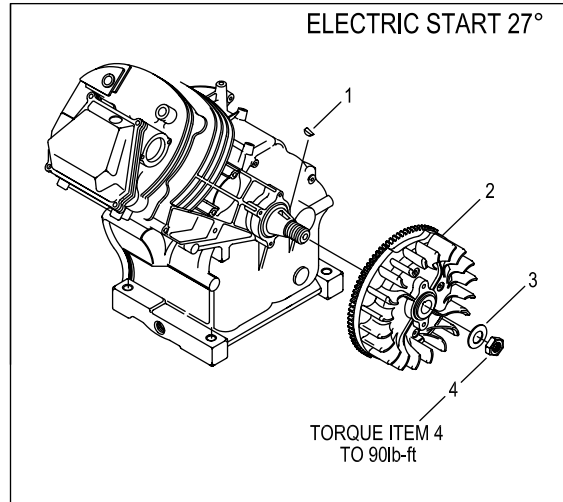


ITEM	PART	QTY.	DESCRIPTION
26	0K1944	1	ALT 5600W XP 50HZ
	0K1945	1	ALT 6400W XP 50HZ
89	0G9039	2	BUTTON LATCH RELEASE
90	0G9038	2	LEVER, LATCH RELEASE
91	0G9096	2	SCREW PFHP #8-16 X 1/2
92	0G9040	2	SPRING TORSION, LATCH RELEASE
93	0G9037	2	BRACKET, LATCH
94	0G9041	4	PIVOT PIN, LATCH RELEASE
95	0G9036	2	PLUG, FOLD DOWN HANDLE
96	052618	2	SCREW HHC M5-0.8 X 12 C8.8
97	0742600196	1	WIRE ASSY SOL TO BATT-POS
63	0742600183	1	WIRE, #16 START SOL-STARTER XP
98	0H7945	1	ASSEMBLY, BATTERY STRAP
99	0H3049	1	COVER ALTERNATOR INLET 5-7KW
100	049815	3	SCREW HHC M5-0.8 X 16 G8.8
101	0H0919	1	ASSEMBLY,BRUSH
102	051713	3	WASHER FLAT M5
103	0H2579B	1	AVR 5.5-7.5KW VISION ALT
104	0H3535	2	NUT FLANGE M5-0.8 NYLOCK



ITEM	PART	QTY.	DESCRIPTION
1A	0K1980A	1	ASSY C-PNL XP 5600E
1B	0K1980	1	ASSY C-PNL XP 6400E
2	0H8118	1	CONTROL BOX XP SERIES PORTABLE
3	038057	2	GROMMET 7/8 X 1/16 X 3/4
4	042568	1	SCREW HHC M6-1.0 X 20 C8.8
5	0E5333	2	SCREW PHTT M5-0.8 X 8 ZINC
6	049811	2	WASHER FLAT M6
7	022097	1	WASHER LOCK M6-1/4
8	049813	1	NUT HEX M6-1.0 G8 CLEAR ZINC
9A	0H0265D	1	CB 25A 1P CUL/CSA (XP5600E)
9B	0H0265E	1	CB 30A 1P CUL/CSA (XP6400E)
10	0D9784	2	NUT HEX LOCK M3-0.5 NY INS
11	052777	2	WASHER FLAT M3
12	0E3927A	1	RELAY DPDT NO 10A 220VAC COIL
13	0H8214	1	HOUR METER W/ALERTS AC/DC
14	0J3223	3	BOOT/NUT,SWITCH COVER
15	0K1854	2	OUTLET 15A 250V 2L+E AUS
16A	0K2045A	1	OVERLAY CTRL PNL XP5600E 50HZ
16B	0K2045	1	OVERLAY CTRL PNL XP6400E 50HZ
17	0K1981	1	COVER C-PNL XP 5.6KW-6.4KW
18	043180	14	WASHER FLAT M4
19	0E6480	14	NUT HEX LOCK M4-0.7 NY INS
20	0H0265B	2	CB 15A 1P CUL/CSA
21	0G8871	8	SCREW PPHM M4-0.7 X 14
22	0H3349	1	WIRE ADAPTER PLATE
23	0H6856	1	FUSE HOLDER,10A/250V AC,R3-13
24	067682D	1	FUSE SLOBLO 1.5A GLASS
25	0H9126	1	ASSY 12VDC POWER JACK XP

FLYWHEEL OPTION
ENGINE PRODUCTION LEVEL 10E



1	082774	1	KEY, WOODRUFF 4 x 19D
2	091222C	1	ASSY, FLYWHEEL W/RING GEAR 27 DEGREE
3	067198N	1	WASHER, BELV-20 X 2.2
4	067890	1	NUT, HEX – FLYWHEEL