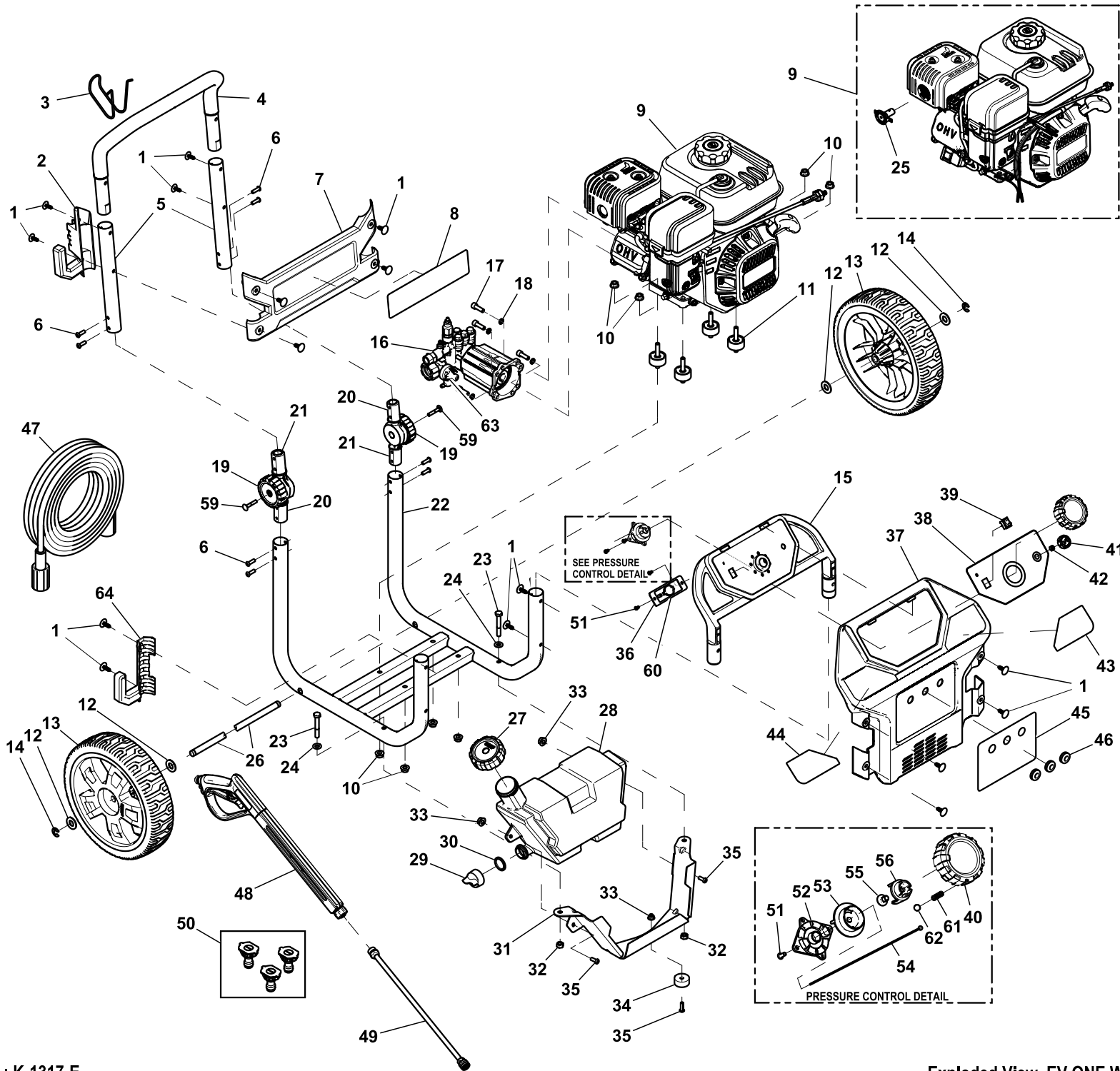


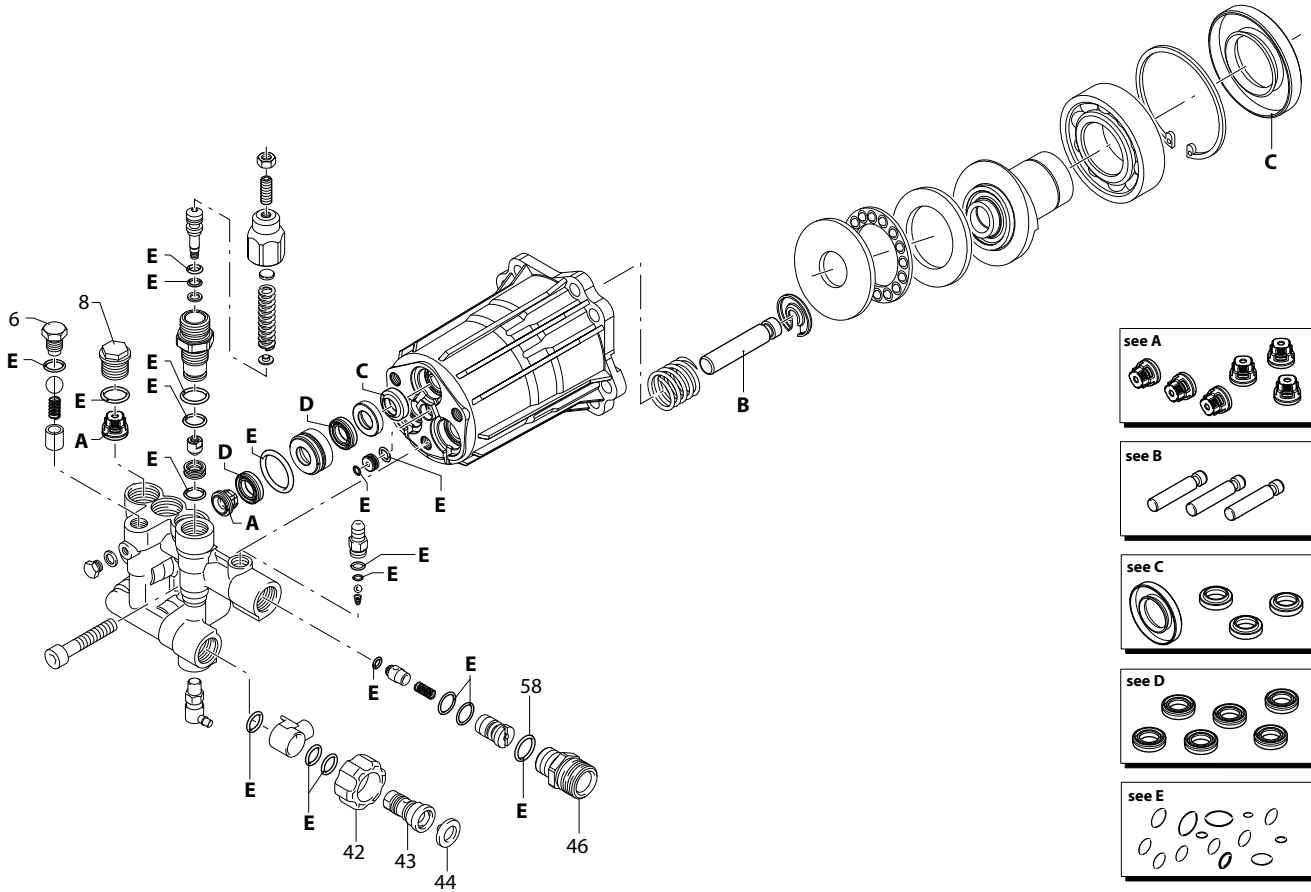
# GROUP EV



# GROUP EV

ITEM	PART	QTY.	DESCRIPTION	ITEM	PART	QTY.	DESCRIPTION
1	0K0435	16	FASTNER, RIBBED SHANK CHRSTM TR	33	0D3700	3	NUT FLANGE M6-1.0 NYLOK
2	0K0044	1	CAP W/GUN-WAND	34	0J2229	1	VIBRATION MOUNT 1-1/4" OD
3	0J3052	1	HOOK-HOSE	35	0J5086	1	SCREW BHSC M6-1.0 X 20 ZP
4	0K0042	1	HANDLE	36	0K0251	3	ASSY PCB PRESS WASH SENSOR
5	0J9729	2	TUBE-HANDLE	37	0K0045	1	BILLBOARD-LOWER
6	0J1545	8	SCREW BHSP M6 X 19MM	38	0K0877	1	DECAL BILLBOARD LWR CNTRL (3000)
7	0K0041	1	BILLBOARD-UPPER		0K0877A	1	DECAL BILLBOARD LWR CNTRL (3100)
8	0K0444	1	DECAL HANDLE (3000)	39	0K0442	1	SWITCH, ON-OFF
	0K0444A	1	DECAL HANDLE (3100)	40	0K0138	1	KNOB CONTROL
9	0K1046	1	ENGINE ASSY (3000 & 3100)	41	0K0781	1	CAP CHOKE CABLE
	0K1047	1	ENGINE ASSY CARB (3000 & 3100)	42	0K1744	1	NUT HEX M10X1.0X6
10	067989	8	NUT HEX FL WHIZ M8-1.25	43	0K0445	1	DECAL QUICK SET UP
11	021217	4	VIB MNT 16 X 35 X M8-1.25	44	0K0054	1	DECAL INSTRUCTIONS PW
12	022304	4	WASHER FLAT 1/2 ZINC	45	0K0053	1	DECAL NOZZLES BILLBOARD
13	0K0256A	2	WHEEL 11" X 2.5" X 0.5"	46	0J3079	3	GROMMET-NOZZLE
14	0K0982	2	RING SNAP 1/2 TYPE E	47	0K0921A	1	HOSE 30 FT X 1/4" W/M22 CONN
15	0K0046	1	BILLBOARD-LOWER CONTROL	48	0K0543	1	GUN ASSEMBLY - W/RIBS AND M22 CONN
16	0J9375	1	PUMP-ONE WASH	49	0H9640	1	LANCE ASSY - 20" LONG
17	0J3315	4	SCREW SHC M8-1.25 X 25 C8.8	50	0H9617G	1	KIT-NOZZLE
18	092479	4	WASHER LOCK M8 RIBBED	51	0K0899	4	SCREW BHSP M4 X 10MM
19	0J9741	2	CAP-KNOB, HANDLE	52	0K0139	1	PLATE-STEPPED CONTROL
20	0J9646	2	HINGE PLATE HANDLE	53	0K0140	1	ROTOR-STEPPED CONTROL
21	0J9645	2	HINGE PLATE FRAME	54	0K0438A	1	BOWDEN CABLE
22	0J9708	1	WELDMENT TUBE FRAME BLACK	55	0K0573	1	SCREW BFHSC M6-1.0 X 10 BLK ZP
23	0J3317	2	SCREW HHC M8-1.25 X 55 PC8.8	56	0K0141	1	KNOB SYNCHRONIZER-CONTROL
24	022145	2	WASHER FLAT 5/16-M8 ZINC	59	0K1579	2	CHB M6-1.00 X 35MM LONG
25	0K1851	1	SPARK ARRESTER (CARB ENGINE ONLY)	60	0K0914	1	GASKET, PCB
26	0J9739	1	AXLE, 1/2" DIA	61	0K1109	1	SPRING, DETENT
27	0J9793	1	CAP-CHEMICAL FILL	62	0K1132	1	BALL, 7MM, STAINLESS
28	0K0257	1	TANK-CHEMICAL	63	0K0439	1	PRESSURE SWITCH
29	0J9794	1	CAP-DRAIN	64	0K1138	1	CAP-W/GUN
30	0K1964	1	GASKET, CAP DRAIN				
31	0K1814	1	BRACKET-MOUNTING FOOT, WELDED				
32	049820	2	NUT HEX LOCK M8-1.25 NY INS				

# POWER WASHER PUMP, AXIAL-2.5GPM 3400 PSI – REPLACEMENT PARTS



REF. #	Generac Part #	QTY	Description
	0J9375	1	PUMP-RMV 2.5G30 W/ EXTRA PORT
6	0H95650130	1	PLUG
8	0J93750100	3	PLUG
42	0H95650120	1	SUCTION FITTING
43	0J93750101	1	SUCTION FITTING
44	0H95650122	1	FILTER
46	0H95650123	1	OUTLET FITTING
58	0H95650124	4	O-RING

REF. #	Generac Part #	Description
A	0J04790110	KIT - VALVES
B	0J04790111	KIT - PISTONS
C	0J93750102	KIT - OIL SEALS
D	0J04790113	KIT - WATER SEALS
E	0J93750103	KIT - O-RINGS

**GENERAC**<sup>®</sup>

Generac Power Systems, Inc.  
 S45 W29290 Hwy. 59  
 Waukesha, WI 53189  
 1-888-GENERAC (1-888-436-3722)