



# Unit Parts Manual

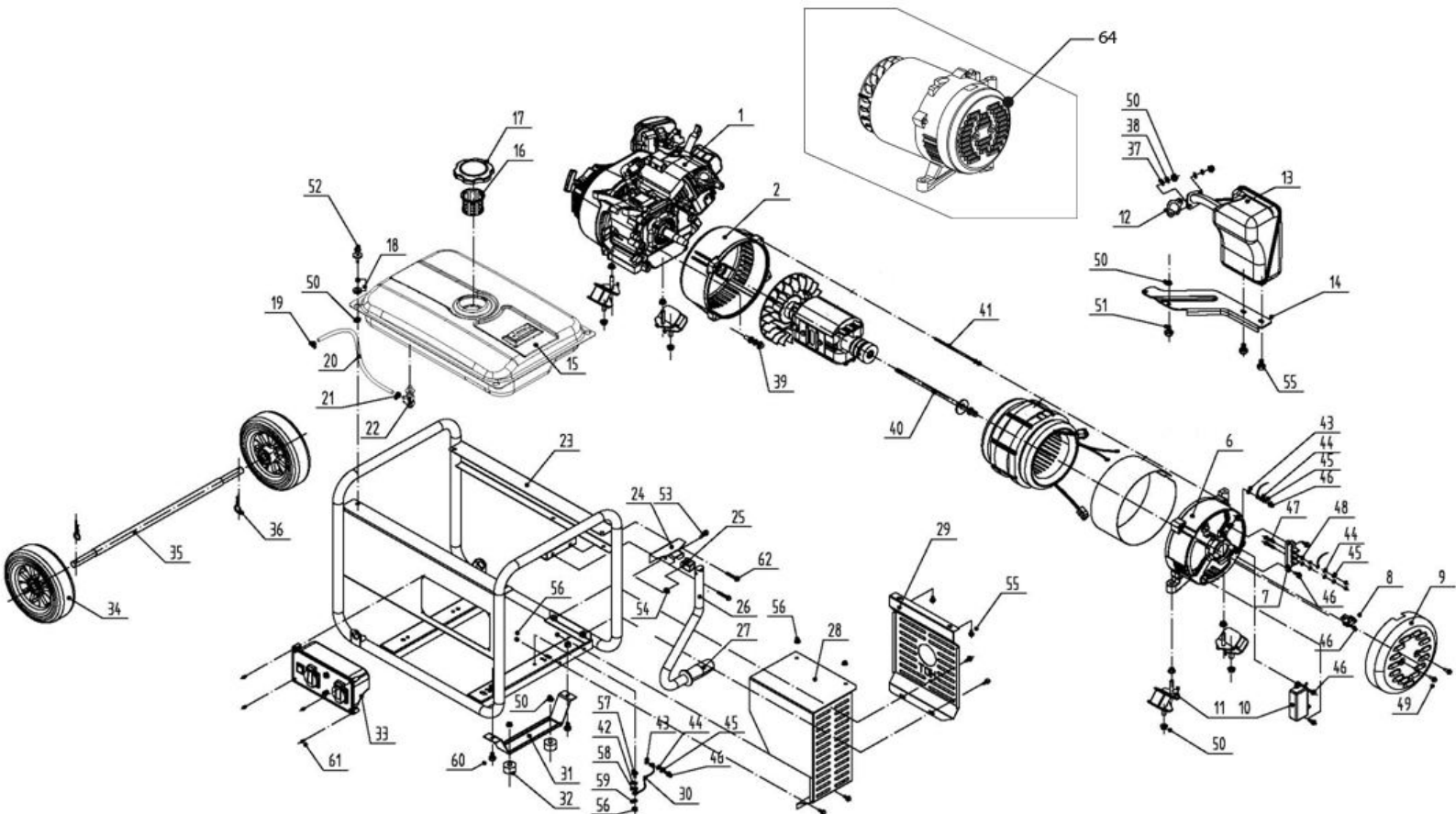
## GP2600kW 50Hz (Model 0062170)

First unit begins with serial number 7194619B

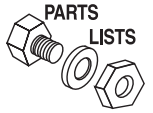
### **NOTICE!**

The information in this manual is known to be accurate as of the date of release shown on the cover. However, engineering changes can occur without notice. To obtain the proper parts, please be sure to use the serial number of the unit being serviced when ordering from this manual. Always refer to any parts notes and changes before ordering. All other parts not shown in this manual can be found on Generac's exploded view drawings online on GENservice at [www.generac.com](http://www.generac.com).

Unit Assembly



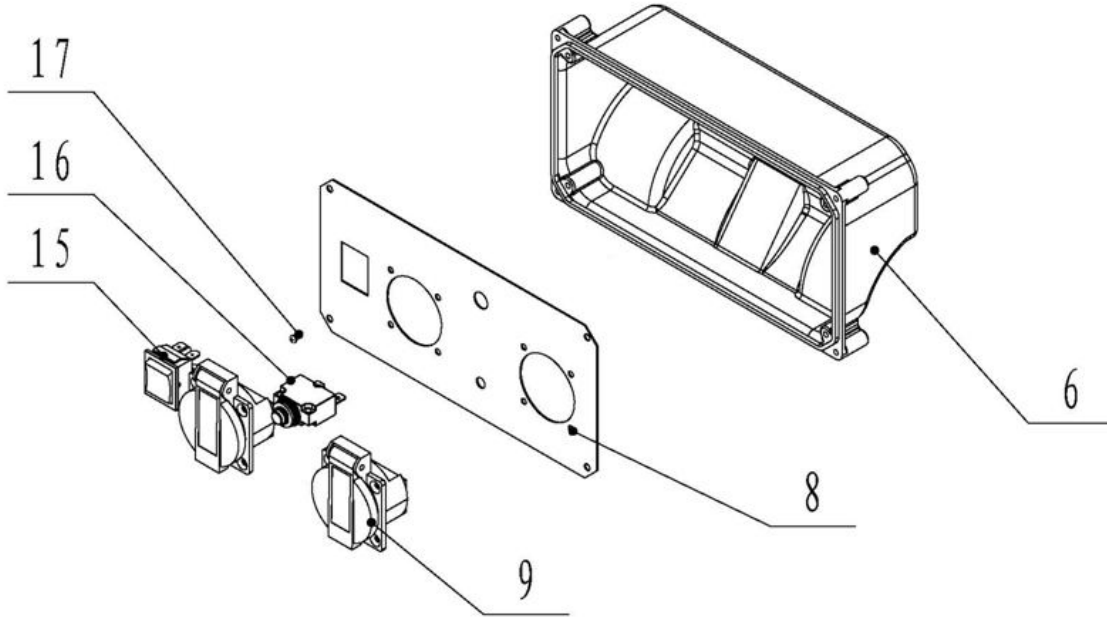
# GP2600



Item	Part #	Qty	Description
1	0J9480	1	208cc Engine
2	0H3976	1	Adaptor Casting, Eng/ALT 3250W
6	0J6975	1	Rear Bearing Carrier 190
7	0J6979	1	Wire Fasten Connection
8	0H3380	1	Assembly Brush 3.25kW Portable
9	0H3382	1	Cover, Alternator 3.25kW
10	0J94810111	1	3kW AVR
11	0H3415	4	Vib Mount 35 X 15 X M8-1.25
12	0H3378	1	Muffler Gasket
13	0J94810112	1	Muffler
14	0J08180214	1	Muffler Bracket
15	0J94810113	1	Fuel Tank
16	0H1326	1	Fuel Tank Filter
17	0G84300105	1	Fuel Tank Cap
18	0J6679	4	Rubber Mount 8 ID X 5 HGT
19	048031B	1	Clamp
20	0J6626	0.16	Fuel Hose, 4.5 ID, 8.5 OD, 160 LG
21	048031B	1	Clamp
22	0H3384	1	Valve Fuel Shutoff 4Gal Tank
23	0H34070ST15	1	Assy Frame GP3250 1-Piece
24	0H34080ST15	1	Bracket, Handle 3.25kW Portable
25	0H3396	1	Spacer Handle Plastic 3.25kW
26	0H33940ST15	1	Handle 3250W GP
27	0H3395	1	Handle Cover
28	0H33900ST03	1	Heat Shld Exhst Frnt 163/208CC
29	0H33890ST03	1	Heat Shield, Exhaust Side
30	0J94810114	1	Grounding Wire
31	0H33930ST03	1	Bracket Foot 3.25kW Portble
32	0H1829	2	Vib Mnt 38.1 X 25.4 X M8-1.25
33	0J94810115	1	Control Pannel

Item	Part #	Qty	Description
34	0H3392	2	Wheel , 8" Never-Flat 3.25kW
35	0H33910ST15	1	Axle
36	0H3443	2	Cotter Hairpin 2.56 X .80
37	0J08180229	2	Flat Washer
38	0J08180230	2	Spring Washer
39	0E9507B	4	Flange Bolt M8x25
40	0J6588	1	Rotor Bolt 5/16X210
41	0J6589	4	Stator Bolt M6x130
42	0J08180235	1	Spring Washer
43	0J6678	2	External Tooth Lock Washer
44	080857	6	Flat Washer
45	080856	4	Spring Washer
46	0J4968	7	Flange Bolt M5x16
47	052619	2	Full-Thread Bolt M5x20
48	051716	4	Nut M5
49	0J4967	2	Flange Bolt M5x12
50	067989	17	Flange Nut M8
51	089230	1	Flange Bolt M8x35
52	0E9507B	4	Flange Bolt M8x25
53	051753	1	Flange Bolt M6x40
54	0E8388	1	Blocking Nut M6
55	0G1705	8	Flange Bolt M6x12
56	0E8388	5	Flange Nut M6
57	0G1705	1	Flange Bolt M6x14
58	049811	1	Flat Washer
59	026850	1	Washer Lock Ext 1/4 STL
60	042907	2	Flange Bolt M8x16
61	0G8382	4	Screw PPPH #8-16 X .66" BZC
62	057821	2	Flange Bolt M8x40
63	0H1345G	1	Gauge, Fuel
64	0J94810116	1	Alternator Assy., Complete
Not Shown	0J94810117	1	Assy, Fueltank 3.5Gal Rus Decal

Control Panel



Item	Part #	Qty	Description
6	0H3386	1	Back Box C-Pnl 1.8/3.25kW
8	0J9136	1	Face Plate 50HZ 2600W
9	0J94810120	2	Socket

Item	Part #	Qty	Description
15	0H33750287	1	Switch, On/Off Rocker
16	0J94810119	1	Circuit Breaker 12A
17	0G8382	4	Screw PPPH #8-16 X .66" BZC