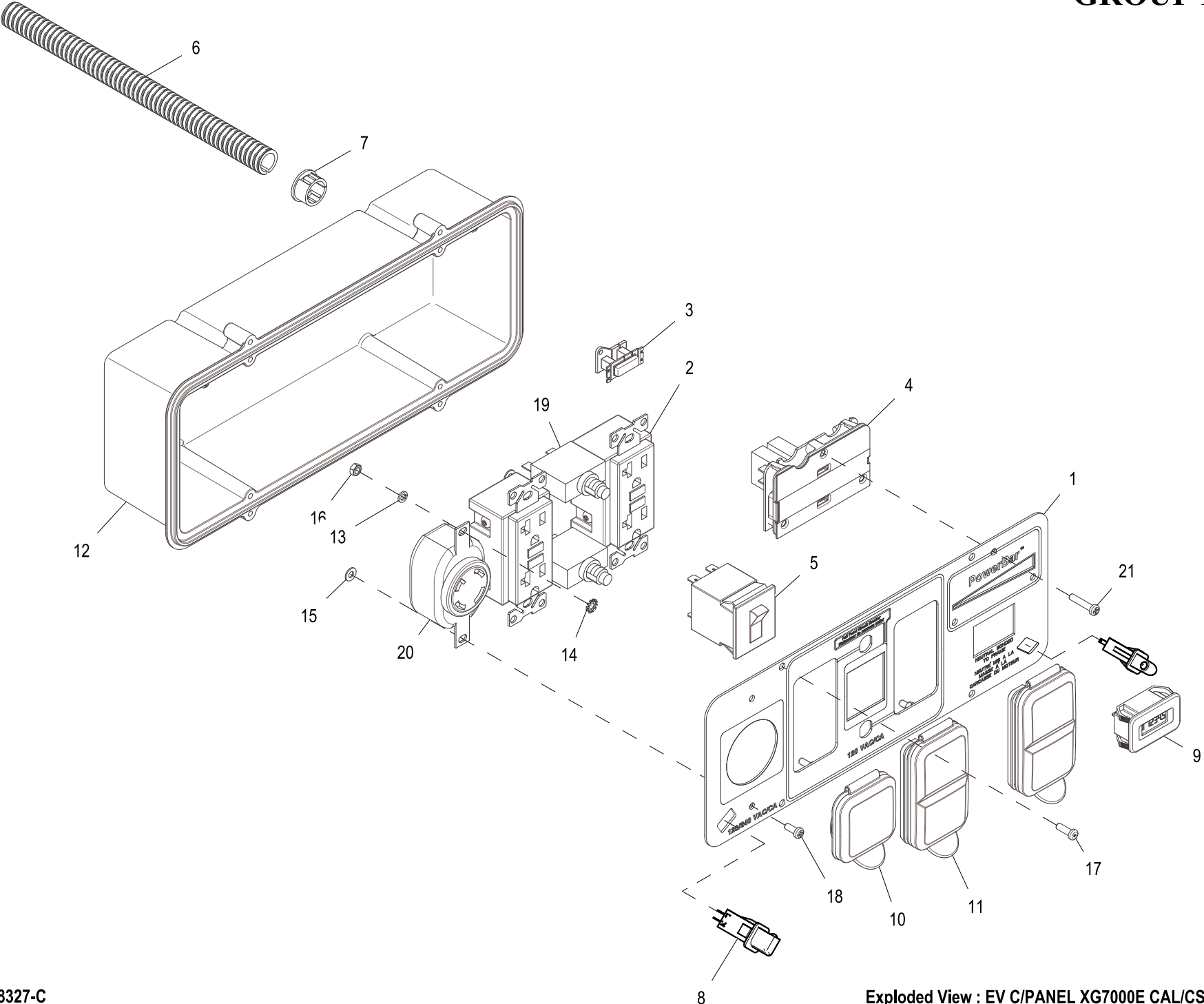


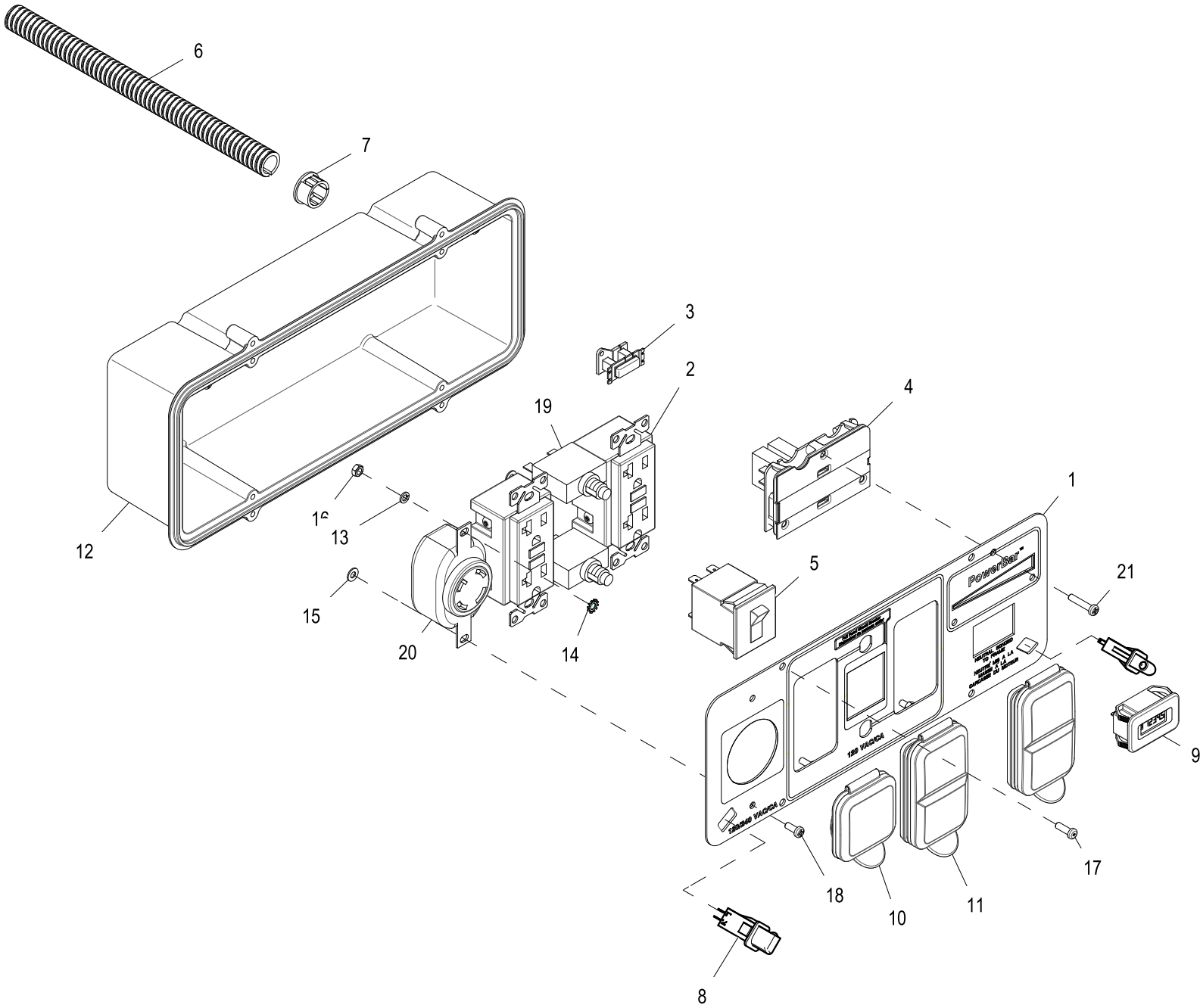
ITEM	PART	QTY.	DESCRIPTION
1	0J4654	1	FRAME,BASE,ASSY,XG8000E
2	0J4653	1	FRAME,END,ASSY,XG8000E
3	0H2392C	1	ASSY,END PNL ALT. END
4	0H2392A	1	ASSY,END PANEL XG8
5	0H2564A	1	ASSY,FUEL TANK XG8 9GAL CARB
6	0H2394B	1	PANEL, SIDE
7	0H2394A	1	PANEL,C/PNL SIDE
8	0H5285C	1	ASSY RECP PANEL XG8KW CAL/CSA
9	0H6371	1	HEAT SHIELD, XG6.5-8
10	0H4420	2	WHEEL,9.5",1/2" AXLE,XG RALLYE
11	0H1129	2	AXLE, PIN, 1/2 IN, XG
12	087171	2	WASHER FLAT 1/2 SS
13	0H3443	2	COTTER HAIRPIN 2.56 X .80
14	022145	11	WASHER FLAT 5/16-M8 ZINC
15	051731	4	SCREW HHC M8-1.25 X 50 C8.8
16	0G5445	6	SCREW HHTT M8-1.25 X 20
17	0H5030	2	SCREW HHSD 1/4-14 X 7/8 BZ
18	0H3590	2	VIB MNT 38.4 X 30.5 X M8-1.25
19	067989	12	NUT HEX FL WHIZ M8-1.25
20	0H0720	1	BRACKET, BENT, FOOT, GX
21	039253	2	SCREW HHC M8-1.25 X 20 C8.8
22	0G2018	1	SCREW HHSD 1/4-14 X 7/8
23	055414	1	LUG SLDLSS #2-#8 X 17/64 CU
24	0742600186	1	GROUND WIRE BRG CAR-LUG 4KW
25	0A1658	1	WASHER LOCK SPECIAL 1/4"
26	090388	5	SCREW HHTT M6-1.0 X 12 ZINC
27	0G8465	2	GRIP NUBBED 1-1/4"X4-3/8"
28	0J1208B	1	ASSY HANDLE XG
29	0H5307	8	SPACER, SELF LOCATING
30	0F2659	1	SCREW HHTT M3-0.5 X 6 BP
31	0H9527	1	ASSY BUTTON HANDLE XG
32	0H2205	2	BEARING,HANDLE,XG
33	0H9525	2	BEARING EXTERNAL HANDLE XG
34	0H9529B	1	BRACKET MOUNTING HANDLE
35	0H6887	2	BOLT CARR 5/16-18X2 BLCK ZINC
36	0G8382	4	SCREW PPPH #8-16 X .66" BZC
37	0H2142	1	VALVE HOLDER,FUEL SHUTOFF
38	0G9549	1	SWITCH SPDT (ON)-OFF-ON 20A
39	0G9560A	1	CABLE CHOKE PORT NOM 382
40	0H3455E	1	FUEL HOSE, 160 MM LONG
41	0H3419	1	VALVE,FUEL SHUTOFF
42	0742600188	1	WIRE ASSEMBLY
43	0742600192	1	WIRE ASSEMBLY
44	0H1326	1	FILTER, FUEL
45	0H0958	1	ASSY GAS CAP SEALED - CHROME
46	0H1357	2	SCREW PFHM M5-0.8 X 12
47	0H1359	1	PLATE, FUEL GAGE
48	0H1345	1	FUEL GAGE, 153 MM LONG ARM
49	0J5335	1	ASSY ENGINE 410 CATALYST
50	048031G	4	CLAMP HOSE BAND .41
51	0H2043	2	VIB MOUNT 35 X 12 X M8-1.25
52	0E4190	1	CLAMP, 3/16" COATED CABLE
53	0F5579	1	SCREW HHC SHLDR M5-0.8X20 G8.8
54	0H6059	8	SCREW FHSC M8-1.25 X 60 BZC
55	0G3730	2	SCREW SHC M8-1.25 X 20 SEMS
56	0J3423	1	MUFFLER GTH410 CARB
57	090239	1	GASKET, EXHAUST

ITEM	PART	QTY.	DESCRIPTION
58	0J4876	1	BRACKET MOUNTING MUFFLER
59	0742600191	1	WIRE ASSEMBLY
60	0B2236	1	NUT HEX LOCK M6-1 NY INS
61	0H0228C	1	WIRE ASSY RED SOL TO SOL
62	0H4768B	2	JUMPER WIRE ASSEMBLY, 5.00" N
63	0G6392	4	BOOT, VINYL STARTER-SOLENOID
64	0742600189	1	WIRE ASSEMBLY
65	0H3535	6	NUT FLANGE M5-0.8 NYLOCK
66	052618	2	SCREW HHC M5-0.8 X 12 C8.8
67	0742600193	1	WIRE ASSEMBLY
68	0G9449	1	BATTERY 12V10AH SEALED
69	0H2764	1	BRACKET,BATTERY,HOLD DOWN
70	092079	2	SCREW HHTT M6-1.0 X 25 BP
71	086729	1	CONTACTOR, STARTER SOLENOID
72	0F4795	6	SCREW PPHM M4-0.7 X 10 SEMS
73	089338	2	NUT HEX LOCK #8-32 NY INS BR5
74	027529	2	NUT HEX LOCK 1/4-20 NY INS
75	020911	4	SCREW PPHM M5-0.8 X 30 ZINC
76	022152	4	WASHER LOCK #10
77	023897	4	WASHER FLAT #10 ZINC
78	0G5002A	1	COVER ALTERNATOR INLET
79	0G5206	1	GROMMET WIRE SLEEVE
80	075431	1	SCREW IHHC 5/16-24 X 8-1/2 G5
81	022237	7	WASHER LOCK 3/8
82	0G5958	1	CAP MOTOR RUN 47MF 440V
83	0G5088	1	CLAMP, CAPACITOR
84	0G5148	4	SCREW IHHC M8-1.25 X 140 G8.8
85	0C3181	2	SCREW BHSC M8-1.25 X 20 SS
86	0H3935	1	ASSY TERM BLK M5-0.8X20
87	085652	2	VIB MNT 25.0 X 31.8 X M8-1.25
88	0H1551	1	BEARING CARRIER, PORTABLE
89	0H2734C	1	STR-230-8.0AD1 XP PORT,CHI-1
90	0G5211C	1	RTR-230-8.0AD1 (CHINA)
91	030205	4	SCREW FHSC 3/8-16 X 3/4 W/LOCK
92	0G2397	1	HOUSING ENGINE ADAPTER
93	0H0025	1	ASSY 12VDC POWER JACK W/LUGS
94	0H4218	1	HARNESS ENGINE GH410 XG ES
95	0H5762	1	FUEL LINE FORMED VLV TO ENG XG
96	023484E	1	BUSHING SNAP SB-687-8
97	0H3631	1	GROMMET, ROLLOVER VALVE
98	0H3630	1	ROLLOVER VALVE
99	0H5994	1	CARBON CANISTER,410CC ENGINE
100	0H5993	1	BRACKET,CARB CAN 410CC ENGINE
101	0E8388	2	NUT HEX FL WHIZ M6-1.0
102	0H1207B	1	HOSE 11MM ODX 5.5MM ID X 22IN
103	0H3731	1	EVAP HOSE, FORMED
104	0H1411	5	RUBBER MOUNT, 10.8 ID X 9 TALL
105	0H1610	4	INSERT, ANTI-CRUSH FOR TANKS
106	0J4192	1	WLDMNT SUPPORT MUFFLER
107	0J3826	1	J-BOLT MUFFLER M8-1.25
108	052858	1	NUT TOP LOCK FL M8-1.25
109	0J1708	1	MANIFOLD 410CC
110	0H8159A	2	SCREW SHC SEMS FLAT M8-1.25X25
111	0C4138	1	GASKET,EXHAUST PORT
112	0G8486	2	CAP NUT 5/16-18 ZBC
113	0H2565A	1	WELDMNT,FUEL TANK XG 9GAL CARB
114	022129	7	WASHER LOCK M8-5/16



<b>ITEM</b>	<b>PART</b>	<b>QTY.</b>	<b>DESCRIPTION</b>
1	SEE TABLE	1	ASSY RECEPTACLE PANEL
2	0D4966	2	OUTLET 20A 120V GFCI GF20BK
3	0D4804B	1	XFMR IDLE CURRENT
4	SEE TABLE	1	POWERBAR ASSY
5	0H5283B	1	CB 2P 30A 250W CSA M SERIES
6	077043B	1	CONDUIT FLEX .50"ID
7	0A5489	1	SNAP BUSHING.75 OPEN
8	0H6784	2	LED CONTROL PANEL SNAP-FIT XG
9	0G8321	1	HOUR METER W/ALERTS AC/DC
10	0G9391	1	COVER,30A 120/240V
11	0G9392	2	COVER, 20A 120V GFCI/DUPLEX
12	0G9756	1	RECPTACLE PANEL STORM-GEN
13	022264	6	WASHER LOCK #8-M4
14	026579	1	WASHER LOCKF EXT #8 STEEL
15	043180	6	WASHER FLAT M4
16	051715	9	NUT HEX M4-0.7 G8 YEL CHR
17	0G8382	4	SCREW PPPH #8-16 X .66" BZC
18	0G9060	2	SCREW PPHM M4-0.7 X 10 BZC
19	0H0265C	2	CB 20A 1P 120V CUL/CSA JOEMEX
20	0H2929	1	OUTLET 30A 120/250V SPCGR
21	0H3968	3	SCREW PPHM M4-0.7 X 20 BLK ZC
22	SEE TABLE	1	WIRE HARNESS (NOT SHOWN)

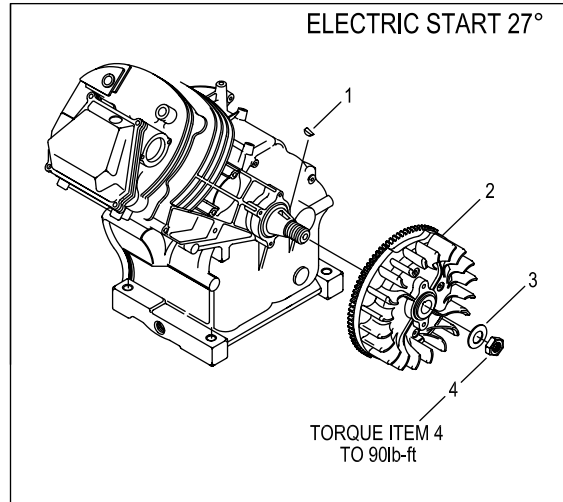
<b>TABLE 1</b>				
<b>ITEM</b>	<b>QTY.</b>	<b>DESCRIPTION</b>	<b>7000W</b>	<b>8000W</b>
1	1	ASSY RECEPTACLE PANEL	0H5280B	0H5280C
4	1	POWERBAR ASSY	0H3362C	0H3362D
22	1	WIRE HARNESS (NOT SHOWN)	0H5275	0H5276



ITEM	PART	QTY.	DESCRIPTION
1	SEE TABLE	1	ASSY RECEPTACLE PANEL
2	0H3346	2	OUTLET 20A 120V GFCI GF20BK
3	0D4804B	1	XFMR IDLE CURRENT
4	SEE TABLE	1	POWERBAR ASSY
5	0H5283B	1	CB 2P 30A 250W CSA M SERIES
6	077043B	1	CONDUIT FLEX .50"ID
7	0A5489	1	SNAP BUSHING.75 OPEN
8	0H6784	2	LED CONTROL PANEL SNAP-FIT XG
9	0G8321	1	HOUR METER W/ALERTS AC/DC
10	0G9391	1	COVER,30A 120/240V
11	0G9392	2	COVER, 20A 120V GFCI/DUPLEX
12	0G9756	1	RECPTACLE PANEL STORM-GEN
13	022264	6	WASHER LOCK #8-M4
14	026579	1	WASHER LOCKF EXT #8 STEEL
15	043180	6	WASHER FLAT M4
16	051715	9	NUT HEX M4-0.7 G8 YEL CHR
17	0G8382	4	SCREW PPPH #8-16 X .66" BZC
18	0G9060	2	SCREW PPHM M4-0.7 X 10 BZC
19	0H0265C	2	CB 20A 1P 120V CUL/CSA JOEMEX
20	0H2929	1	OUTLET 30A 120/250V SPCGR
21	0H3968	3	SCREW PPHM M4-0.7 X 20 BLK ZC
22	SEE TABLE	1	WIRE HARNESS (NOT SHOWN)

TABLE 1				
ITEM	QTY.	DESCRIPTION	7000W	8000W
1	1	ASSY RECEPTACLE PANEL	0H5280B	0H5280C
4	1	POWERBAR ASSY	0H3362C	0H3362D
22	1	WIRE HARNESS (NOT SHOWN)	0H5275	0H5276

FLYWHEEL OPTION  
ENGINE PRODUCTION LEVEL 10E



1	082774	1	KEY, WOODRUFF 4 x 19D
2	091222C	1	ASSY, FLYWHEEL W/RING GEAR 27 DEGREE
3	067198N	1	WASHER, BELV-20 X 2.2
4	067890	1	NUT, HEX – FLYWHEEL