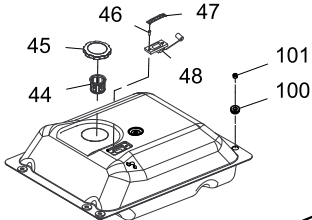
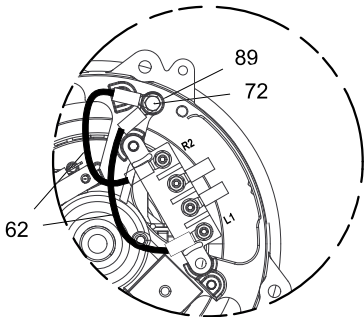


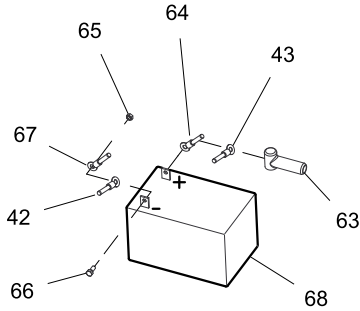
ROUTE HOSE THROUGH CLIP
DETAIL OF FRONT OF ENGINE



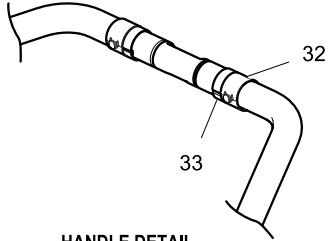
DETAIL OF GAS TANK



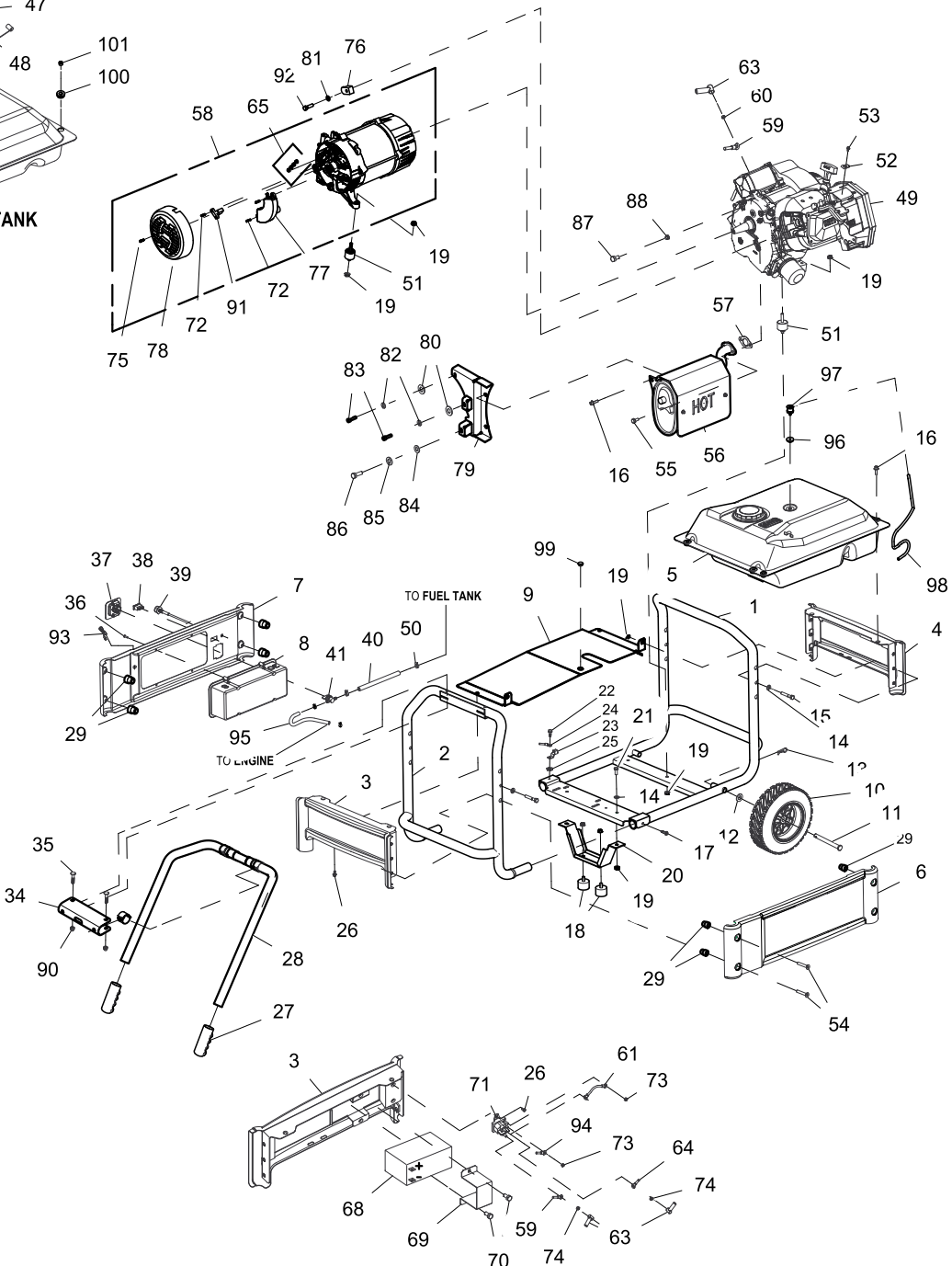
JUMPER WIRE DETAIL
ON THE BEARING CARRIER



DETAIL OF BATTERY



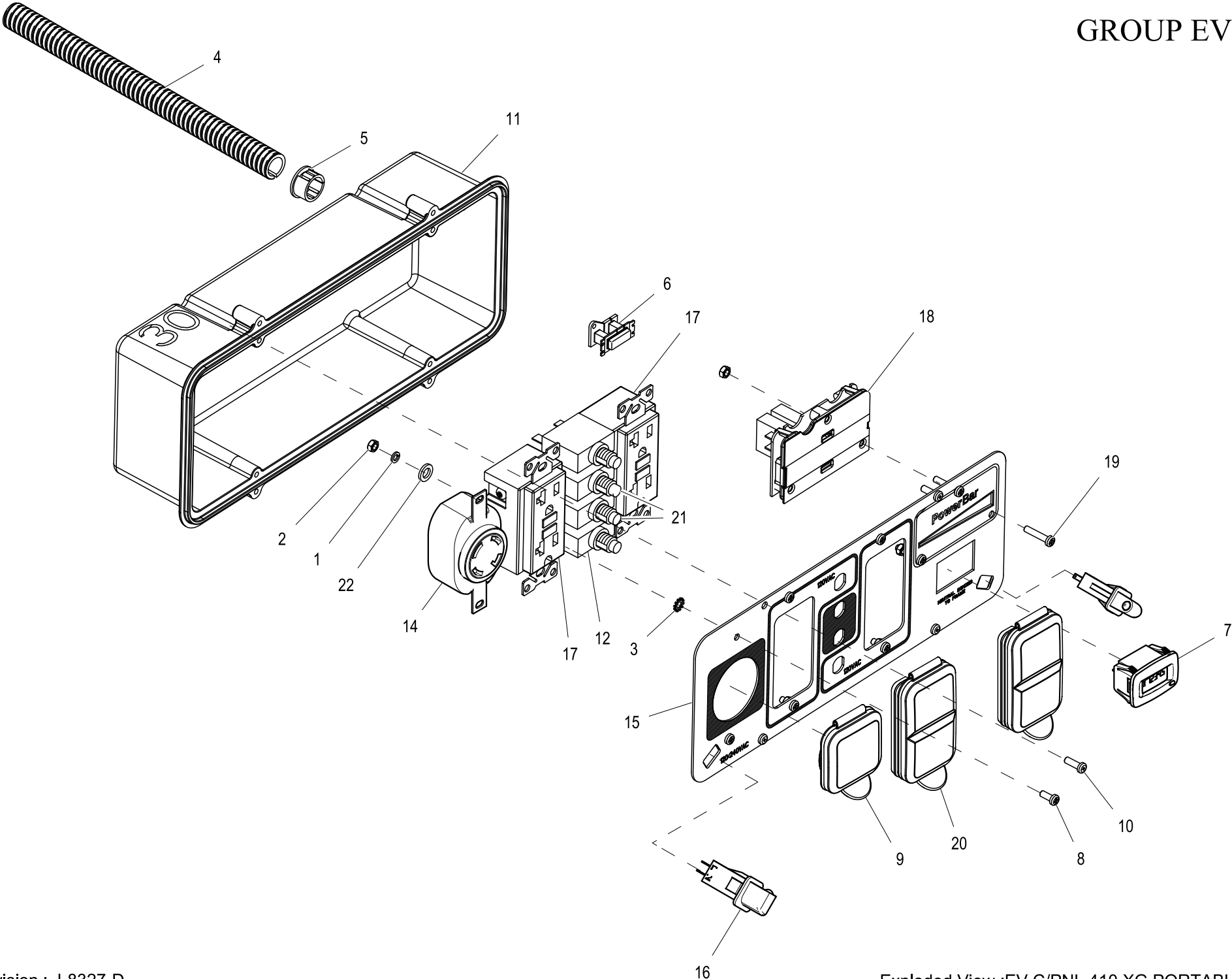
HANDLE DETAIL



DETAIL OF BACK PANEL

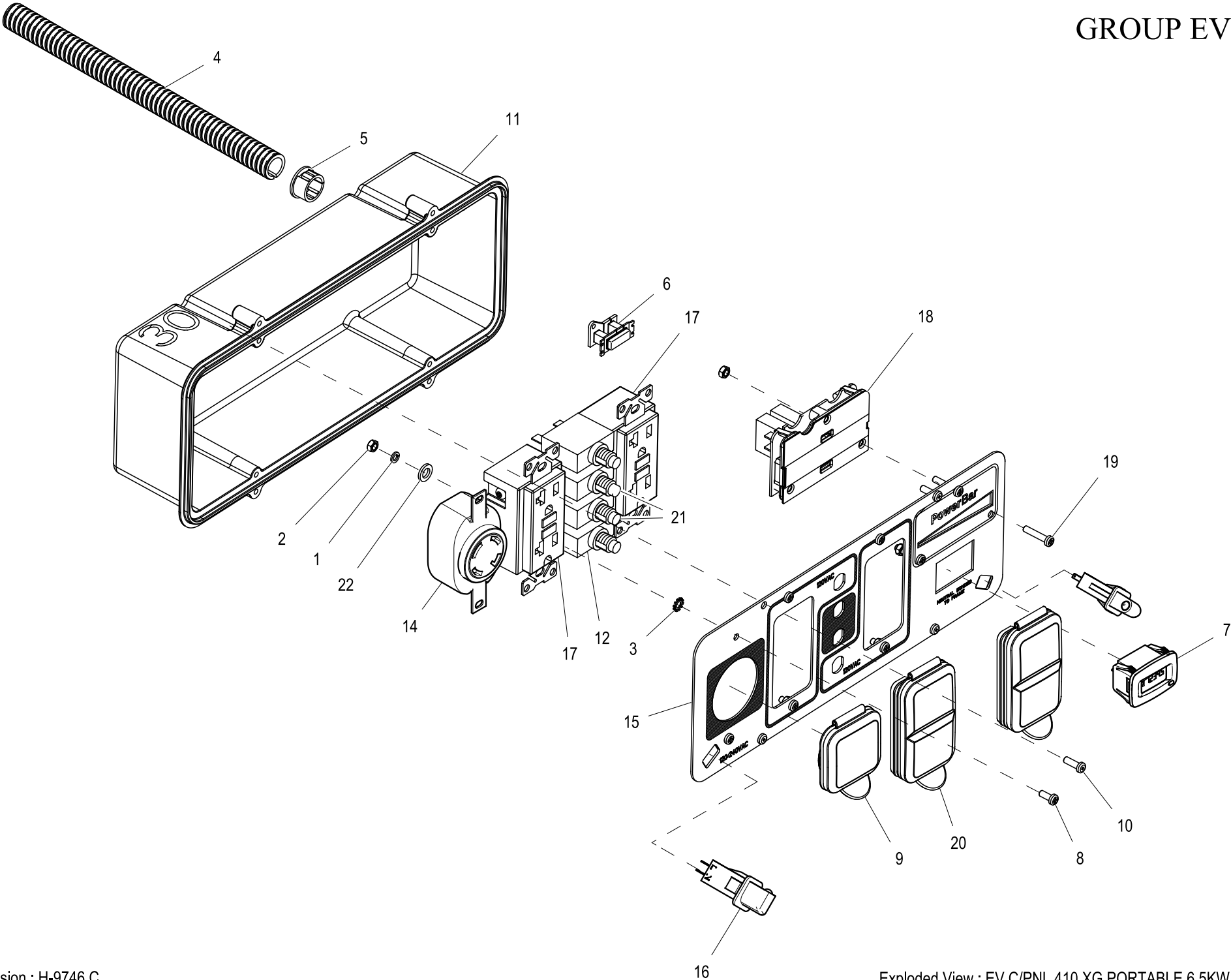
ITEM	PART	QTY.	DESCRIPTION
1	0J4654	1	FRAME,BASE,ASSY,XG8000E
2	0J4653	1	FRAME,END,ASSY,XG8000E
3	0H2392C	1	ASSY,END PNL ALT. END
4	0H2392A	1	ASSY,END PANEL XG8
5	0H2564A	1	ASSY,FUEL TANK XG8 9GAL CARB
6	0H2394B	1	PANEL, SIDE
7	0H2394A	1	PANEL,C/PNL SIDE
8	0H2802E	1	ASSY CTRL PNL XG8000
9	0H6371	1	HEAT SHIELD, XG6.5-8
10	0H4420	2	WHEEL,9.5",1/2" AXLE,XG RALLYE
11	0H1129	2	AXLE, PIN, 1/2 IN, XG
12	087171	2	WASHER FLAT 1/2 SS
13	0H3443	2	COTTER HAIRPIN 2.56 X
14	022145	6	WASHER FLAT 5/16-M8 ZINC
15	051731	4	SCREW HHC M8-1.25 X 50 C8.8
16	0G5445	6	SCREW HHTT M8-1.25 X 20
17	0L2176	2	SCREW HHSD PREMIUM 1/4-14X1 BZ
18	0H3590	2	VIB MNT 38.4 X 30.5 X M8-1.25
19	067989	14	NUT HEX FL WHIZ M8-1.25
20	0H0720	1	BRACKET, BENT, FOOT, GX
21	039253	2	SCREW HHC M8-1.25 X 20 C8.8
22	0G2018	1	SCREW HHSD 1/4-14 X 7/8
23	055414	1	LUG SLDLSS #2-#8 X 17/64 CU
24	0742600186	1	GROUND WIRE BRG CAR-LUG 4KW
25	0A1658	1	WASHER LOCK SPECIAL 1/4"
26	090388	4	SCREW HHTT M6-1.0 X 12 ZINC
27	0G8465	2	GRIP NUBBED 1-1/4"X4-3/8"
28	0J1208B	1	ASSY HANDLE XG
29	0H5307	8	SPACER, SELF LOCATING
30	----	--	-----
31	----	--	-----
32	0H2205	2	BEARING,HANDLE,XG
33	0H9525	2	BEARING EXTERNAL HANDLE XG
34	0H9529B	1	BRACKET MOUNTING HANDLE
35	0H6887	2	BOLT CARR 5/16-18 X 2" G2 BLCK ZINC
36	0G8382	4	SCREW PPPH #8-16 X .66" BZC
37	0H2142	1	VALVE HOLDER,FUEL SHUTOFF
38	0G9549	1	SWITCH SPDT (ON)-OFF-ON 20A
39	0G9560A	1	CABLE CHOKE PORT NOM 382
40	0H3455E	1	FUEL HOSE, 160 MM LONG
41	0H3419	1	VALVE,FUEL SHUTOFF
42	0742600188	1	WIRE ASSEMBLY
43	0742600192	1	WIRE ASSEMBLY
44	0H1326	1	FILTER, FUEL
45	0H0958A	1	ASSY GAS CAP SEALED - BLACK
46	0H1357	2	SCREW PFHM M5-0.8 X 12
47	0H1359	1	PLATE, FUEL GAGE
48	0H1345	1	FUEL GAGE, 153 MM LONG ARM
49	0J2515A	1	410CC ENGINE - XG7000 CR
50	048031G	4	CLAMP HOSE BAND .41
51	0H2043	4	VIB MOUNT 35 X 12 X M8-1.25

ITEM	PART	QTY.	DESCRIPTION
52	0E4190	1	CLAMP, 3/16" COATED CABLE
53	0F5579	1	SCREW HHC SHLDR M5-0.8X20 G8.8
54	0H6059	8	SCREW FHSC M8-1.25 X 60 BZC
55	0G3730	2	SCREW SHC M8-1.25 X 20 SEMS
56	0J9403A	1	ASSY MUFFLER 410 XG 8KW
57	090239	1	GASKET, EXHAUST
58	0K0071	1	ALT 8000W COPPER BRUSH TYPE
59	0742600191	1	WIRE ASSEMBLY
60	0B2236	1	NUT HEX LOCK M6-1 NY INS
61	0H0228C	1	WIRE ASSY RED SOL TO SOL
62	0H4768A	2	JUMPER WIRE ASSEMBLY, 5.00"
63	0G6392	4	BOOT, VINYL STARTER-SOLENOID
64	0742600189	1	WIRE ASSEMBLY
65	0H3535	6	NUT FLANGE M5-0.8 NYLOCK
66	052618	2	SCREW HHC M5-0.8 X 12 C8.8
67	0742600193	1	WIRE ASSEMBLY
68	0G9449	1	BATTERY 12V10AH SEALED
69	0H2764	1	BRACKET,BATTERY,HOLD DOWN
70	092079	2	SCREW HHTT M6-1.0 X 25 BP
71	086729	1	CONTACTOR, STARTER SOLENOID
72	049815	4	SCREW HHC M5-0.8 X 16 G8.8
73	089338	2	NUT HEX LOCK #8-32 NY INS BRS
74	027529	2	NUT HEX LOCK 1/4-20 NY INS
75	052618	2	SCREW HHC M5-0.8 X 12 C8.8
76	0G9832	1	BRACKET, MOUNTING, ALT 7KW
77	0H2579C	1	AVR, 8.0KW VISION ALTERNATOR
78	0H3049	1	COVER ALTERNATOR INLET 5-7KW
79	0J6371	1	BRACKET WLDMMNT MUFFLER
80	0D5303	2	WASHER FLAT .25ID X 1"OD ZINC
81	022129	1	WASHER LOCK M8-5/16
82	070005	2	WASHER LOCK M6 SS
83	040945	2	SCREW SHC M6-1.0 X 20 C12.9 ZP
84	070008	1	WASHER FLAT M8 SS
85	070006	1	WASHER LOCK M8 SS
86	049821	1	SCREW SHC M8-1.25 X 30 C12.9
87	022511	3	SCREW HHC 3/8-16 X 1-1/4 G5
88	046526	3	WASHER LOCK M10
89	051713	1	WASHER FLAT M5
90	0G8486	2	CAP NUT 5/16-18 ZBC
91	0H0919	1	ASSEMBLY,BRUSH
92	030209	4	SCREW HHSC 5/16-24 x 1-1/4 G5
93	0H0025	1	ASSY 12VDC POWER JACK W/LUGS
94	0H4218	1	HARNESS ENGINE GH410 XG ES
95	0H5762	1	FUEL LINE FORMED VLV TO ENG XG
96	0H3631	1	GROMMET ROLLOVER VALVE
97	0H3630	1	ROLLOVER VALVE
98	0J1699	1	EVAP HOSE FORMED
99	023484E	1	BUSHING SNAP SB-687-8
100	0H1411	5	RUBBER MOUNT, 10.8 ID X 9 TALL
101	0H1610	4	INSERT, ANTI-CRUSH FOR TANKS



EXPLODED VIEW: EV C/PNL 410 XG PORTABLE 6.5KW**DRAWING #: 0H4099****GROUP EV**

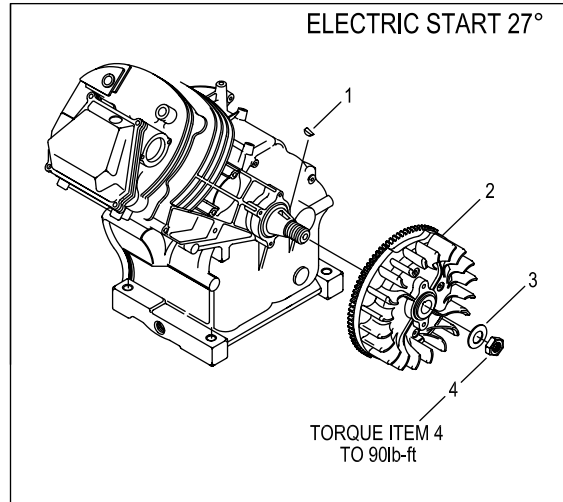
ITEM	PART#	QTY.	DESCRIPTION
1	022264	6	WASHER LOCK #8-M4
2	051715	9	NUT HEX M4-0.7 G8 YEL CHR
3	026579	1	WASHER LOCKF EXT #8 STEEL
4	077043B	1	CONDUIT FLEX .50"ID
5	0A5489	1	SNAP BUSHING.75 OPEN
6	0D4804B	1	XFMR IDLE CURRENT
7	0H8214	1	HOUR METER W/ALERTS AC/DC
8	0G9060	2	SCREW PPHM M4-0.7 X 10 BZC
9	0G9391	1	COVER,30A 120/240V
10	0G8382	4	SCREW PPPH #8-16 X .66" BZC
11	0G9756	1	RECTANGLE PANEL STORM-GEN
12	0H0265C	2	CB 20A 1P 120V CUL/CSA JOEMEX
13	SEE TABLE 1	-	WIRE HARNESS (NOT SHOWN)
14	0H2929	1	OUTLET 30A 120/250V SPCGR
15	0H3343F	1	PANEL COVER, XG PORTABLE
16	0H6784	2	LED CONTROL PANEL SNAP-FIT XG
17	0D4966	2	OUTLET 20A 120V GFCI GF20BK
18	SEE TABLE 1	-	TRULOAD POWERBAR ASSY
19	0H3968	3	SCREW PPHM M4-0.7 X 20 BLK ZC
20	0G9392	2	COVER, 20A 120V GFCI/DUPLEX
21	0H0265E	2	CB 30A 1P 120V CUL/CSA JOEMEX
22	043180	6	WASHER FLAT M4



ITEM	PART	QTY.	DESCRIPTION
1	022264	6	WASHER LOCK #8-M4
2	051715	9	NUT HEX M4-0.7 G8 YEL CHR
3	026579	1	WASHER LOCKF EXT #8 STEEL
4	077043B	1	CONDUIT FLEX .50"ID
5	0A5489	1	SNAP BUSHING.75 OPEN
6	0D4804B	1	XFMR IDLE CURRENT
7	0H8214	1	HOUR METER W/ALERTS AC/DC
8	0G9060	2	SCREW PPHM M4-0.7 X 10 BZC
9	0G9391	1	COVER,30A 120/240V
10	0G8382	4	SCREW PPPH #8-16 X .66" BZC
11	0G9756	1	RECPTACLE PANEL STORM-GEN
12	0H0265C	2	CB 20A 1P 120V CUL/CSA JOEMEX
13	SEE TABLE 1	-	WIRE HARNESS (NOT SHOWN)
14	0H2929	1	OUTLET 30A 120/250V SPCGR
15	0H3343F	1	PANEL COVER, XG PORTABLE
16	0H6784	2	LED CONTROL PANEL SNAP-FIT XG
17	0H3346	2	OUTLET 20A 120V GFCI GF20BK
18	SEE TABLE 1	-	TRULOAD POWERBAR ASSY
19	0H3968	3	SCREW PPHM M4-0.7 X 20 BLK ZC
20	0G9392	2	COVER, 20A 120V GFCI/DUPLEX
21	0H0265E	2	CB 30A 1P 120V CUL/CSA JOEMEX
22	043180	6	WASHER FLAT M4

TABLE 1					
ITEM	QTY.	DESCRIPTION	6500W	7000W	8000W
13	1	WIRE HARNESS (NOT SHOWN)	0H3341	0H3341	0H5146
18	1	POWERBAR ASSY	0H3362B	0H3362C	0H3362D

FLYWHEEL OPTION
ENGINE PRODUCTION LEVEL 10E



1	082774	1	KEY, WOODRUFF 4 x 19D
2	091222C	1	ASSY, FLYWHEEL W/RING GEAR 27 DEGREE
3	067198N	1	WASHER, BELV-20 X 2.2
4	067890	1	NUT, HEX – FLYWHEEL