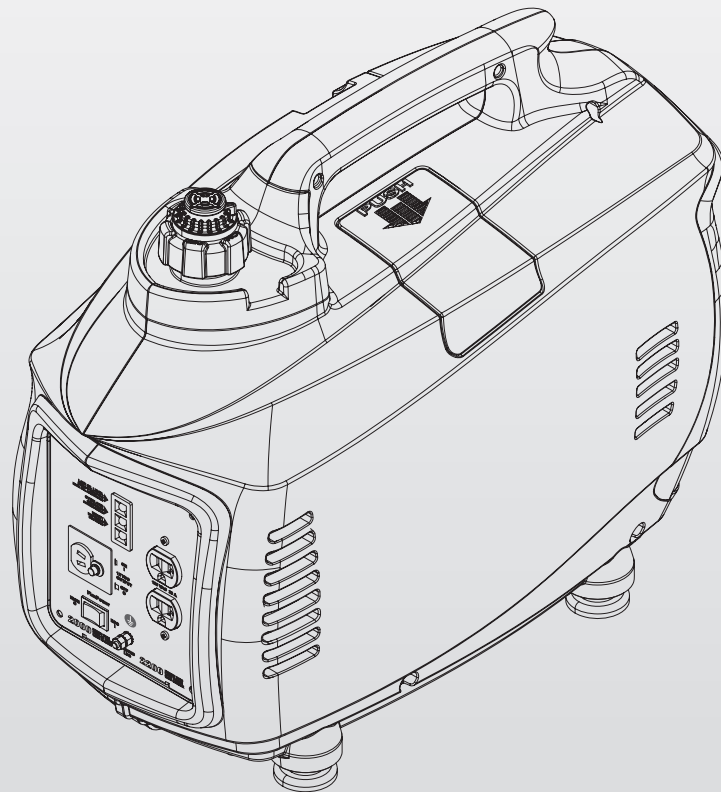
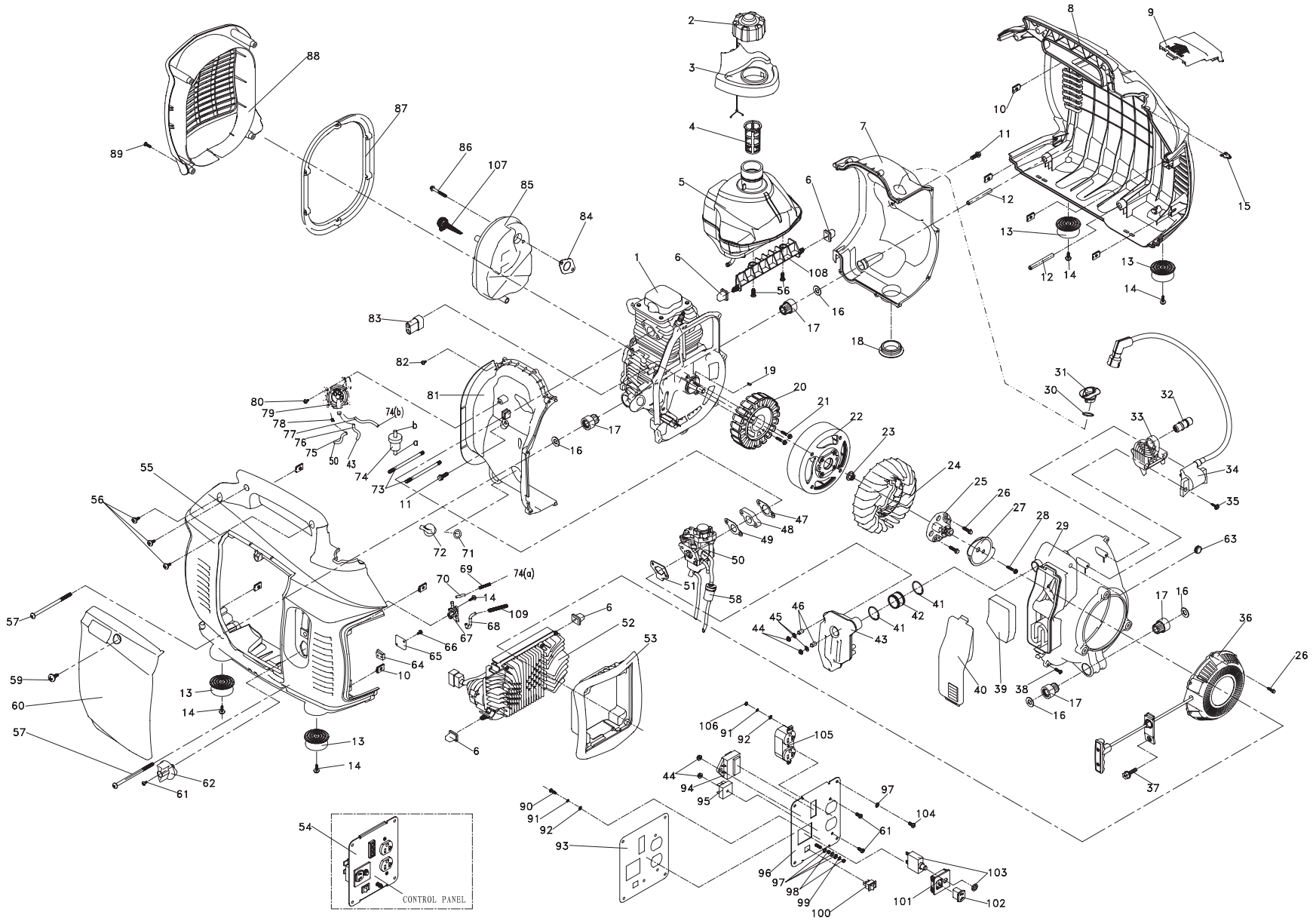


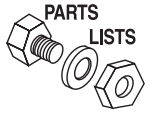
# 1400 Watt Inverter Generator Parts Manual





1400 Watt Model 0060670

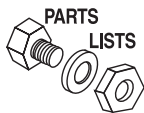
# 1400 Watt Model 0060670



| ITEM | PART NO.   | DESCRIPTION                        | QTY. |
|------|------------|------------------------------------|------|
| 1    | 0K2092     | ENGINE                             | 1    |
| 2    | 0H4347H110 | CAP, SUPER CHARGED FUEL TANK ASSY. | 1    |
| 3    | 0H63620111 | RUBBER RING, FUEL CHARGING         | 1    |
| 4    | 0H43470112 | CUP, FUEL                          | 1    |
| 5    | 0H63620190 | TANK, FUEL, (STEEL)                | 1    |
| 6    | 0H43470114 | MOUNT, RUBBER                      | 4    |
| 7    | 0H63620118 | CASING, LOWER ENGINE               | 1    |
| 8    | 0H6362H115 | SHELL, LOWER                       | 1    |
| 9    | 0H6362H114 | COVER, LOWER SHELL                 | 1    |
| 10   | 0H43470117 | CLIP, SCREW                        | 8    |
| 11   | 0H43470121 | BOLT, HEX HEAD FLANGE M6X12        | 2    |
| 12   | 0H63620117 | PIN, ALIGNMENT                     | 2    |
| 13   | 0H43470118 | FEET, VIBRATION MOUNTS             | 4    |
| 14   | 0H43470119 | SCREW, PHILLIPS ST6.3 X 19         | 5    |
| 15   | 0H43470195 | CLIP, SHELL RETAINING              | 1    |
| 16   | 0H43470123 | WASHER                             | 4    |
| 17   | 0H43470124 | SLEEVE, DAMPING                    | 4    |
| 18   | 0H63620120 | SEAL COVER, OIL SENSOR             | 1    |
| 19   | 0H43470125 | KEY, WOODRUFF 3X5X13               | 1    |
| 20   | 0H63620191 | STATOR ASSY.                       | 1    |
| 21   | 0H63620122 | BOLT, HEX HEAD FLANGE M5X30        | 2    |
| 22   | 0H63620123 | FLYWHEEL/ROTOR ASSY.               | 1    |
| 23   | 0J95780114 | NUT, HEX HEAD FLANGED M10X1.25-8   | 1    |
| 24   | 0H63620125 | FAN                                | 1    |
| 25   | 0H63620126 | SEAT, STARTING JAW                 | 1    |
| 26   | 0H63620127 | BOLT, HEX HEAD FLANGED M6X16       | 5    |
| 27   | 0H63620128 | COUPLER, STARTING JAW              | 1    |
| 28   | 0H63620129 | BOLT, HEX HEAD FLANGED M8X14       | 1    |
| 29   | 0H63620130 | COWLING & INLET COVER ASSY.        | 1    |
| 30   | 0H43470196 | O-RING, RUBBER                     | 1    |
| 31   | 0J95780127 | SLEEVE, RUBBER HIGH VOLTAGE        | 1    |
| 32   | 0H63620132 | PIN, MOUNTING (POT HOOK)           | 1    |
| 33   | 0H63620133 | POTHOOK                            | 1    |

| ITEM | PART NO.   | DESCRIPTION                          | QTY. |
|------|------------|--------------------------------------|------|
| 34   | 0H43470136 | COIL, IGNITION                       | 1    |
| 35   | 0H63620179 | SCREW, TAPPING CR, REC, HHF ST4.8X25 | 2    |
| 36   | 0H63620145 | STARTER ASSY.                        | 1    |
| 37   | 0H43470200 | BOLT, HEX/HEAD WWASHER M5X12         | 1    |
| 38   | 0H63620136 | SCREW, TAPPING CR, REC, HHF ST4.8X35 | 6    |
| 39   | 0H63620134 | ELEMENT, AIR FILER                   | 1    |
| 40   | 0H63620135 | COVER, AIR FILTER                    | 1    |
| 41   | 0H43470151 | CIRCLIP, ADAPTER                     | 2    |
| 42   | 0H43470152 | FILTER, ADAPTER SLEEVE               | 1    |
| 43   | 0H63620144 | CASE, ASSY., FILTER                  | 1    |
| 44   | 0H63620142 | NUT, HEX HEAD FLANGED M5             | 4    |
| 45   | 0H43470161 | WASHER, FLAT                         | 2    |
| 46   | 0H63620143 | PIN, ALIGNMENT FILTER CASE           | 2    |
| 47   | 0H63620137 | GASKET, CARB, B (OUT)                | 1    |
| 48   | 0H63620138 | BLOCK, CARB CUSHION/SPACER           | 1    |
| 49   | 0H63620139 | GASKET, CARB, A (OUT)                | 1    |
| 50   | 0H63620140 | CARBURETOR ASSY.                     | 1    |
| 51   | 0H63620141 | GASKET, CARB, INTAKE                 | 1    |
| 52   | 0H63620146 | INVERTER ASSY.                       | 1    |
| 53   | 0H63620147 | FRAME, FRONT PANEL                   | 1    |
| 54   | 0J60620100 | PLATE ASSY., CONTROL                 | 1    |
| 55   | 0H6362H154 | SHELL, UPPER                         | 1    |
| 56   | 0H63620153 | SCREW, CR, REC PAN HEAD M6X14        | 5    |
| 57   | 0J95780117 | SCREW, CR, REC PAN HEAD M6X120       | 2    |
| 58   | 0J95780143 | FILTER, FUEL                         | 1    |
| 59   | 0H63620151 | SCREW, M6X14                         | 1    |
| 60   | 0H6362H152 | COVER, UPPER SHELL                   | 1    |
| 61   | 0H43470214 | SCREW, CR, REC PAN HEAD M4X12        | 3    |
| 62   | 0H43470167 | KNOB, FUEL SWITCH, ON/OFF            | 1    |
| 63   | 0J60620105 | PLUG, RUBBER                         | 1    |
| 64   | 0H43470170 | SWITCH, IGNITION, ON/OFF             | 1    |
| 65   | 0H43470171 | COVER, SWITCH                        | 1    |

Continued on back



# 1400 Watt Model 0060670

| ITEM | PART NO.   | DESCRIPTION                                  | QTY. |
|------|------------|--|------|
| 66   | 0H43470172 | SCREW, CR, REC PAN HEAD<br>ST4.2X9.5 TAPPING | 2    |
| 67   | 0H43470173 | SWITCH, FUEL                                 | 1    |
| 68   | 0J95780131 | PIPE, FUEL OUTLET A                          | 1    |
| 69   | 0H43470175 | SHIELD, PIPE SPRING                          | 2    |
| 70   | 0J60620102 | PIPE, FUEL INLET                             | 1    |
| 71   | 0H43470177 | O-RING GASKET, DIP STICK                     | 1    |
| 72   | 0J95780142 | CAP, OIL FILL                                | 1    |
| 73   | 0H43470179 | BOLT, STUD                                   | 2    |
| 74   | 0H43470180 | FILTER, FUEL                                 | 1    |
| 75   | 0J60620103 | PIPE, FUEL PUMP OUTLET                       | 1    |
| 76   | 0H63620158 | PIPE, FUEL PUMP GAS                          | 1    |
| 77   | 0J60620104 | PIPE, FUEL PUMP INLET B                      | 1    |
| 78   | 0J95780113 | CLAMP, FUEL HOSE                             | 10   |
| 79   | 0H43470184 | PUMP ASSY., FUEL                             | 1    |
| 80   | 0H43470185 | SCREW, TAPPING REC PAN HEAD<br>ST4.8X19      | 1    |
| 81   | 0H63620160 | CASING, UPPER ENGINE                         | 1    |
| 82   | 0J95780118 | SCREW, TAPPING REC PAN HEAD<br>ST4.2X16      | 4    |
| 83   | 0H63620162 | SLEEVE, RESPERATOR ADAPTOR                   | 1    |
| 84   | 0H63620163 | SHIM, MUFFLER                                | 1    |
| 85   | 0H63620164 | MUFFLER ASSY.                                | 1    |
| 86   | 0H63620165 | BOLT, HHF, M6X55                             | 3    |

| ITEM | PART NO.   | DESCRIPTION                    | QTY. |
|------|------------|--------------------------------|------|
| 87   | 0H63620166 | SEAL, BACK WINDOW RUBBER       | 1    |
| 88   | 0H63620167 | WINDOW, BACK, (EXH. CVR)       | 1    |
| 89   | 0H63620168 | SCREW, PHILLIPS PAN HEAD       | 4    |
| 90   | 0H56810151 | SCREW, PHILLIPS PAN HEAD       | 6    |
| 91   | 0H43470208 | WASHER, FLAT M4                | 8    |
| 92   | 0H43470207 | WASHER, LOCK M4                | 8    |
| 93   | 0J3273     | OVERLAY, CONTROL PANEL         | 1    |
| 94   | 0H43470210 | IGNITOR ASSY. W/INDICATOR      | 1    |
| 95   | 0H43470211 | DIODE, RECTIFIER               | 1    |
| 96   | 0J95780141 | PLATE ASSY., FACE              | 1    |
| 97   | 0H43470161 | WASHER, FLATE                  | 7    |
| 98   | 0H56810172 | NUT, HEX                       | 2    |
| 99   | 0H63620176 | WASHER, STD TYPE SPRING        | 1    |
| 100  | 0H43470215 | SWITCH, FLEXPPOWER (ROCKER)    | 1    |
| 101  | 0H43470217 | DC-SOCKET PANEL                | 1    |
| 102  | 0H43470218 | RECEPTACLE, 12 VDC             | 1    |
| 103  | 0H43470216 | BREAKER, CIRCUIT 5A DC         | 1    |
| 104  | 0J95780116 | SCREW, PHILLIPS PAN HEAD M5X25 | 4    |
| 105  | 0J95780145 | OUTLET, 120V                   | 1    |
| 106  | 0H43470206 | NUT, HEX M4                    | 2    |
| 107  | 0H8811     | SPARK ARRESTOR                 | 1    |
| 108  | 0J95780134 | BRACKET, FUEL TANK             | 1    |