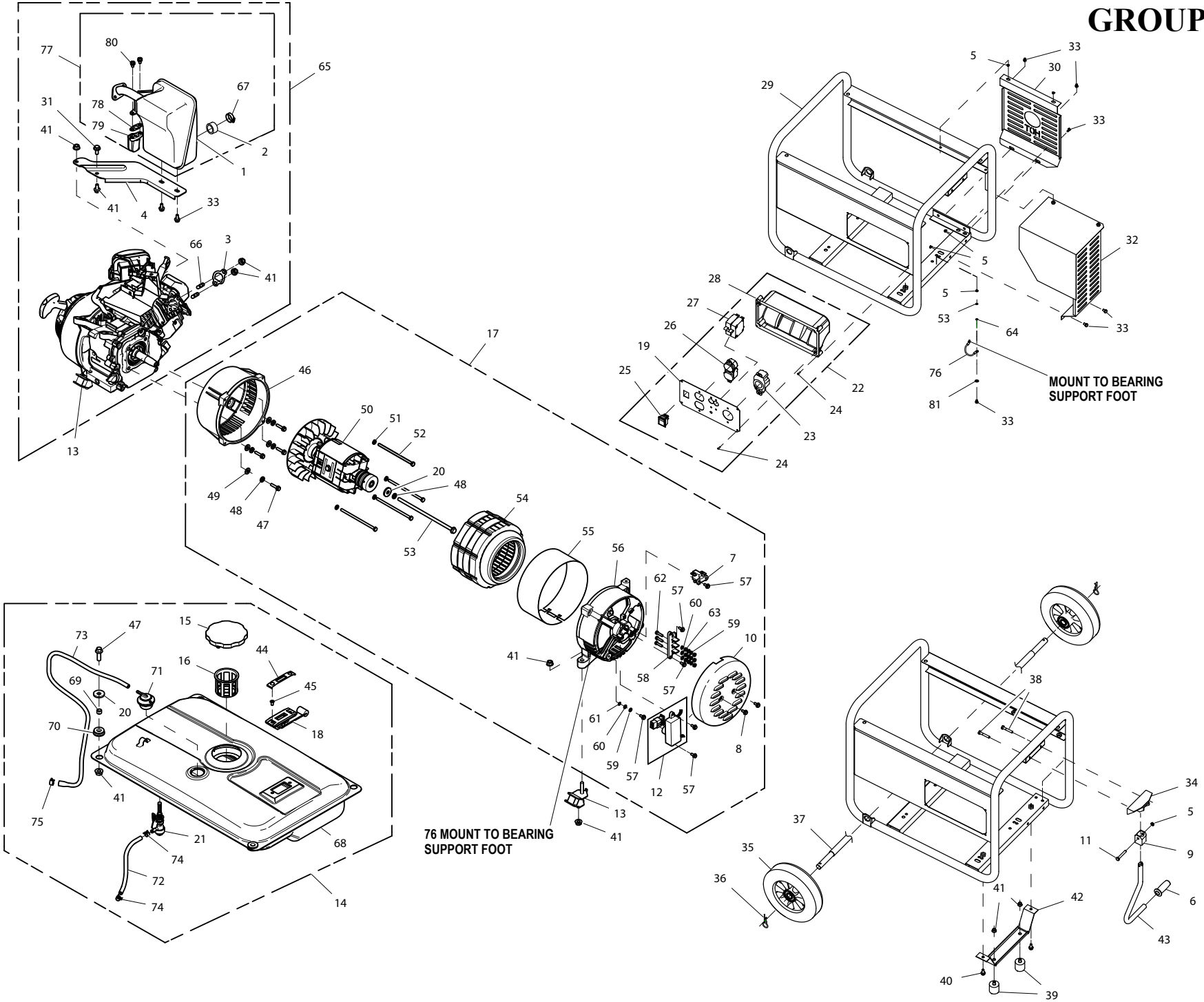


# GROUP EV



# GROUP EV

ITEM	PART	QTY.	DESCRIPTION
1	0H3376C	1	WLDMNT MUFFLER W/CAT BLACK
2	0H3377	1	SPARK ARRESTOR, 163/208CC
3	0H3378	1	GASKET,MUFFLER 163/208CC
4	0H3379A	1	BRACKET MUFFLER MNT EPA PH3
5	0E8388	5	NUT HEX FL WHIZ M6-1.0
6	0J6631	1	GRIP HANDLE 3250W
7	0H3380	1	ASSEMBLY BRUSH 3.25KW PORTABLE
8	0J4967	2	SCREW HHFC M5-0.8 X 12
9	0H3396	1	SPACER,HANDLE PLASTIC 3.25KW
10	0H3382	1	COVER,ALTERNATOR 3.25KW UNITED
11	051753	1	SCREW HHC M6-1.0 X 40 C8.8 FTH
12	0H3381	1	AVR 3.25KW UNITED PORTABLE
13	0H3415	4	VIB MOUNT 35 X 15 X M8-1.25
14	0H9264B	1	ASSY FUEL TANK 3.5GAL EPA PH3
15	0H0958	1	ASSY GAS CAP SEALED - CHROME
16	0H1326	1	FILTER, FUEL
17	0H3578	1	ASSY,ALTERNATOR,3250W PORTABLE
18	0H3383	1	FUEL GAGE 77MM LONG ARM
19	0J7631	1	FACE PLATE 3250 UP
20	050190	5	WASHER FLAT .344ID X 1.00D
21	0H3384	1	VALVE FUEL SHUTOFF 4GAL TANK
22	0H3388	1	ASSY, RECEPTACLE PANEL 3.25KW
23	0J7664	1	OUTLET 20A 120/250V
24	0G8382	8	SCREW PPPH #8-16 X .66" BZC
25	0H3414	1	DPST SWITCH ASSY
26	0G8507	1	OUTLET 20A 120V DPLX 20A SPCGD
27	0H3417	1	CB 0014A 2P 250V
28	0H3386	1	BACK BOX C-PNL 1.8/3.25KW
29	0H3407	1	ASSY FRAME GP3250 1-PIECE
30	0J6619	1	SIDE MUFFLER SHIELD H3250
31	089230	1	SCREW HHFC M8-1.25 X 35 G8.8
32	0J7082	1	INSIDE MUFFLER SHIELD H3250
33	0G1705	10	SCREW HHFC M6-1.0 X 14 G8.8
34	0H3408	1	BRACKET,HANDLE 3.25KW PORTABLE
35	0H3392	2	WHEEL, 8" NEVER-FLAT 3.25KW UP
36	0H3443	2	COTTER HAIRPIN 2.56 X .80
37	0H3391	1	AXLE, SOLID 3.25KW UP PORTABLE
38	057821	2	SCREW HHC M8-1.25 X 40 C8.8
39	0H1829	2	VIB MNT 38.1 X 25.4 X M8-1.25
40	042907	2	SCREW HHC M8-1.25 X 16 C8.8
41	067989	18	NUT HEX FL WHIZ M8-1.25

ITEM	PART	QTY.	DESCRIPTION
42	0H3393	1	BRACKET FOOT 3.25KW UP PORTBLE
43	0H3394	1	HANDLE 3250W GP
44	0H1359	1	PLATE, FUEL GAGE
45	0E9509	2	SCREW PFHM M6-1.0 X 12
46	0H3976	1	ADAPTOR CASTING,ENG/ALT 3250W
47	0E9507B	8	SCREW HHFC M8-1.25 X 25 W/M10
48	070006	4	WASHER LOCK M8 SS
49	070008	4	WASHER FLAT M8 SS
50	0J6971	1	ROTOR ASSY 2 POLE 3250W
51	022097	2	WASHER LOCK M6-1/4
52	0J6589	4	SCREW HHC M6-1.0 X 130
53	0J6588	1	SCREW HHFC 5/16-24 X 8.27
54	0J6972	1	STATOR ASSY 2 POLE 3250W
55	0J6977	1	WRAPPER 620X70
56	0J6975	1	REAR BEARING CARRIER 190
57	0J4968	7	SCREW HHFC M5-0.8 X 16
58	0J6979	1	REAR WIRING FRAME ORANGE
59	080856	5	WASHER LOCK M5 SS
60	080857	8	WASHER FLAT M5 SS
61	0J6678	7	WASHER LOCK INT M5 SS
62	052619	3	SCREW HHC M5-0.8 X 20 G8.8
63	051716	6	NUT HEX M5-0.8 G8 CLEAR ZINC
64	049811	1	WASHER FLAT M6
65	0J5628D	1	ENGINE 208 PS WMFLR PH3 GP
66	045761A	2	STUD M8-1.25/10MM X 30 G5 ZINC
67	057824	1	CLAMP HOSE #16 .87-1.50
68	0H9263A	1	FUEL TANK WLDMNT EPA PHASE 3
69	0H1610	4	ANTI-CRUSH 10.80D 9ID 7.8LG
70	0H1411A	4	RUBBER MOUNT,10.3 ID X 8.5 HGT
71	0J7921	1	ASSEMBLY ROV
72	0J6626	1	FUEL HOSE,4.5 ID,8.5 OD,160 LG
73	0J8900	1	FORMED HOSE 8.5 OD TO 11.5 OD
74	048031B	2	CLAMP HOSE BAND SPRING .38
75	048031F	1	CLAMP HOSE BAND .47
76	0G8753C	1	WIRE ASSY GND ALT TO BASE
77	0J6617B	1	ASSY MUFFLER BLACK EPA PH3
78	0J5205	1	GASKET AIR VALVE 2010 CARB
79	0J5204	1	AIR VALVE 2010 LONCIN
80	078606	2	SCREW PPHM M6-1.0 X 12 SEMS
81	026850	1	WASHER LOCK EXT 1/4 STL