



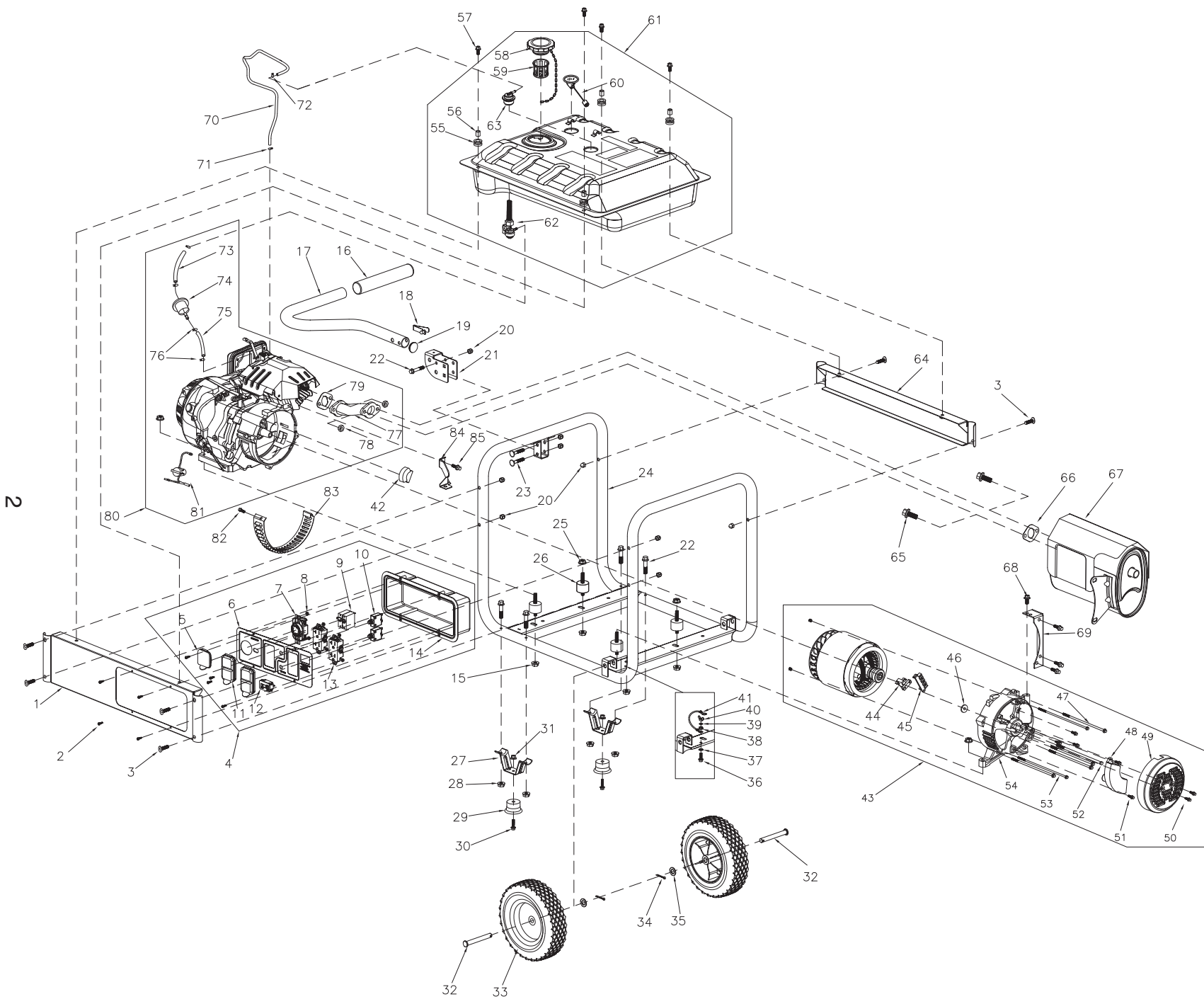
# Parts Manual

## GP5500 389cc (Model 0059752)

First unit begins with serial number 7442866A

### **NOTICE!**

The information in this manual is known to be accurate as of the date of release shown on the cover. However, engineering changes can occur without notice. To obtain the proper parts, please be sure to use the serial number of the unit being serviced when ordering from this manual. Always refer to any parts notes and changes before ordering. All other parts not shown in this manual can be found on Generac's exploded view drawings online on GENservice at [www.generac.com](http://www.generac.com).



2

GP5500

# GP5500



Item	Part #	Qty	Description
1	0H97480ST03	1	FRAME, RAIL
2	0H91980159	8	SCREW, PAN, M5 X 16
3	0H1780	6	BOLT, CURVED HEAD, M8X40
4	0H9775A	1	PANEL ASSY., CONTROL
5	0G9391	1	COVER, OUTLET
6	0J4536B	1	FACE PLATE GP PORTABL PS CSA
7	0G8758	1	OUTLET 30A 120/250V SPCGR
8	0J86620108	6	NUT, M4
9	0G9023B	1	BREAKER, CIRCUIT, 25A 2P
10	0H0265C	2	BREAKER, CIRCUIT, 20A
11	0G9392	2	COVER, OUTLET
12	0G8321	1	METER, HOUR
13	0D4968	2	OUTLET 20A, 1P, 120V DUPLEX
14	0G9756	1	COVER, BACK, CNTL PNL
15	067989	4	NUT, M8
16	0G8442C113	1	GRIP, HANDLE
17	0H97560ST15	1	HANDLE
18	0J5347	1	BUTTON, SNAP
19	0H9760	1	CAP, END
20	0H1782	9	NUT, LOCKING CAP, M8
21	0H97670ST15	1	BRACKET, HANDLE
22	0B1214	5	BOLT, M8X45
23	0H1781	2	BOLT, CARRIAGE HEAD M8X46
24	0J86620100	1	FRAME ASSY., GP
25	0G84420107	4	NUT, M10
26	0h1783	4	MOUNT, RUBBER VIB
27	0K0097	2	FRAME, BENT FOOT
28	0K0098	4	NUT, M8
29	0K0099	2	FOOT, RUBBER
30	0k0100	2	BOLT, M6X28
31	0k0105	2	NUT, M6
32	0H0204	2	PIN, AXLE
33	0K6011	2	WHEEL
34	0D4999	2	PIN, COTTER
35	022304	2	WASHER, FLAT 13X2
36	0J35220156	1	BOLT, M6X20
37	0K0093	1	WASHER, SPECIAL LOCK
38	0G84420272	1	NUT, M6
39	0J47870118	1	WASHER, FLAT 6X0.8
40	0K0094	1	NUT, M6
41	0K0092	1	WIRE ASSY., GRND
42	0J86620104	1	BAFFLE
43	0J8363	1	ALTERNATOR ASSY., 5500W BT

Item	Part #	Qty	Description
44	0H0919	1	BRUSH, ALTERNATOR
45	0J6072	1	TERMINAL
46	070264	1	WASHER, FLAT, M10X4
47	0J83630110	2	BOLT, M5X204
48	0H2579B	1	AVR
49	0H3049	1	COVER ALTERNATOR INLET
50	0J4967	6	BOLT, M5X12
51	0J4968	3	BOLT, M5X16
52	0J8448	1	BOLT, ROTOR, M10-1.5X255
53	0J9069	4	M6-1.0X170 C8.8
54	0H91980171	1	HOUSING, REAR BEARING
55	0H1411B	4	RUBBER MOUNT,10.3 ID X 11 HGT
56	0H1610A	4	ANTI-CRUSH 10.8OD 9ID 10LG
57	0E9507C	4	BOLT, M8X20
58	0H1326	1	FILTER, FUEL
59	0H0958	1	CAP, FUEL
60	0K09150112	1	GAUGE, FUEL, 7 GAL TANK
61	0H7510A0SRV	1	TANK, FUEL, 7 GAL
62	0J0974	1	VALVE FUEL SHUTOFF
63	0J7921	1	ASSEMBLY ROV
64	0H9749AST03	1	PANEL RAIL BACK
65	0E9507B	2	BOLT, M8X25
66	0J4691	1	GASKET, EXH., MUFFLER
67	0J8672	1	MUFFLER ASSY., GP
68	0E9470	4	BOLT, M8X16
69	0G8542	1	BRACKET, MUFFLER
70	0K0091	1	HOSE FORMED ROV-AIRBOX
71	0J35220173	1	CLAMP, 012
72	0J35220174	1	CLAMP, 010
73	0G9757A	1	HOSE, FUEL, 08X55
74	0G9914	1	FILTER, FUEL
75	0G9757B	1	HOSE, FUEL, 08X80
76	0J25910115	4	CLAMP, HOSE, 09
77	0J4535A	1	MANIFOLD, EXHAUST
78	0J35220161	2	NUT, M8
79	0G9028	1	GASKET, EXH, CYLNDR
80	0G8442C	1	ENG. 389cc PS, w/o MUFFLER
81	0G9911	1	SWITCH, ENG. ON/OFF RED ROTARY
82	0J00620100	1	BOLT, M5X10
83	0H9761	1	SCROLL, ALTERNATOR
84	0G8442C112	1	BRACKET, AIR CLEANER
85	0G84420194	1	BOLT, M6X12