

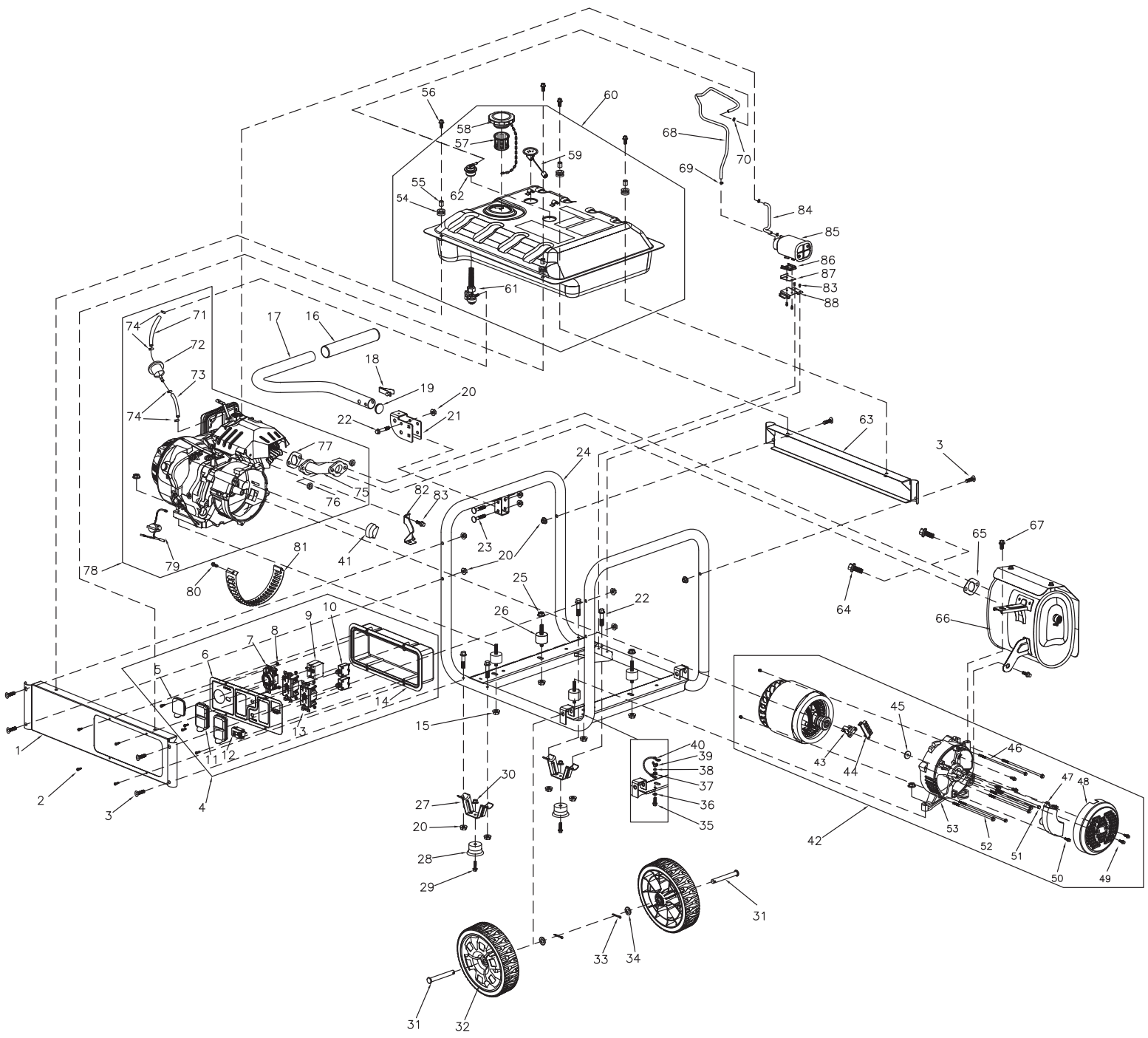


Parts Manual

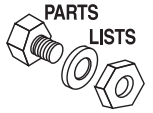
GP6500 389cc CARB (Model 0059462)

NOTICE!

The information in this manual is known to be accurate as of the date of release shown on the cover. However, engineering changes can occur without notice. To obtain the proper parts, please be sure to use the serial number of the unit being serviced when ordering from this manual. Always refer to any parts notes and changes before ordering. All other parts not shown in this manual can be found on Generac's exploded view drawings online on GENservice at www.generac.com.



GP6500



Item	Part #	Qty	Description
1	0H97480ST03	1	FRAME RAIL
2	0H91980159	8	PAN HEAD SCREW (M5X16)
3	0H1780	6	CURVED HEAD BOLT (M8X40)
4	0H9775H	1	CONTROL PANEL ASSEMBLY
5	0G9391	1	OUTLET COVER
6	0J4536B	1	CONTROL PANEL FACE PLATE
7	0G8758	1	RECEPTACLE
8	0J86620108	6	NUT (M4)
9	0G9023C	1	CIRCUIT BREAKER (30A, 2P)
10	0H0265C	2	CIRCUIT BREAKER (20A)
11	0G9392	2	OUTLET COVER
12	0G8321	1	HOUR METER
13	0D4966	2	RECEPTACLE GFCI
14	0G9756	1	CONTROL PANEL BACK COVER
15	067989	4	NUT (M8)
16	0G8442C113	1	HANDLE GRIP
17	0H97560ST15	1	HANDLE
18	0J5347	1	SNAP BUTTON
19	0H9760	1	HANDLE END PLUG
20	067989	13	NUT (M8)
21	0H97670ST15	1	HANDLE BRACKET
22	073144	5	BOLT (M8X45)
23	0H1781	2	CARRIAGE HEAD BOLT (M8X46)
24	0J19730ST15	1	FRAME
25	0G84420107	4	NUT (M10)
26	0K09150110	4	RUBBER VIBRATION MOUNT
27	0K0097	2	BENT FOOT FRAME
28	0K0099	2	RUBBER FOOT
29	0K09150111	2	BOLT (M6X28)
30	0K0105	2	NUT (M6)
31	0H0204	2	AXLE PIN
32	0L1366	2	WHEEL ASSEMBLY
33	0D4999	2	COTTER PIN
34	022304	2	FLAT WASHER
35	0J35220156	1	BOLT (M6X20)
36	0K0093	1	SPECIAL LOCK WASHER
37	0G84420196	1	NUT (M6)
38	0J47870118	1	FLAT WASHER
39	0K0094	1	NUT (M6)
40	0K20670114	1	GROUND WIRE ASSEMBLY
41	0J86620104	1	BAFFLE
42	0K9546	1	ROTOR AND STATOR ASSEMBLY
43	0H0919	1	BRUSH ASSEMBLY
44	0J83630111	1	WIRE CONNECTOR TERMINAL
45	0J47870118	1	FLAT WASHER (M10X4)
46	0L11890110	2	STATOR BOLT (M5X198)

Item	Part #	Qty	Description
47	0H2579B	1	AUTOMATIC VOLTAGE REGULATOR
48	0H3049	1	GENERATOR END COVER
49	0J4967	6	BOLT (M5X12)
50	0J4968	3	BOLT (M5X16)
51	0L11890111	1	ROTOR BOLT (M10X250)
52	0J6071	4	STATOR BOLT (M6X160)
53	0H91980171	1	REAR BEARING HOUSING
54	0H1411B	4	FUEL TANK RUBBER MOUNT
55	0H1610A	4	ANTI-CRUSH LINING INSERT
56	0E9507C	4	BOLT (M8X20)
57	0H1326	1	FUEL FILTER
58	0H0958	1	FUEL CAP
59	0H9005	1	FUEL GAUGE
60	0H7510ABSRV	1	FUEL TANK (7 GALLON)
61	0J0974	1	FUEL SHUTOFF VALVE
62	0J7921	1	ROLL-OVER VALVE
63	0H9749AST03	1	BACK FRAME RAIL
64	0E9507B	2	BOLT (M8X25)
65	0J4691	1	MUFFLER EXHAUST GASKET
66	0J8672	1	MUFFLER
67	0E9470	2	BOLT (M8X16)
68	0J96230110	1	PREFORMED HOSE (ROLL-OVER VALVE TO CARBON CANISTER)
69	0H9838C110	3	HOSE CLAMP
70	0J35220174	1	HOSE CLAMP
71	0G9757A	1	FUEL HOSE (8X55)
72	0G9914	1	FUEL FILTER
73	0G9757B	1	FUEL HOSE (8X80)
74	0J25910115	4	HOSE CLAMP
75	0J4535A	1	EXHAUST MANIFOLD
76	0J35220161	2	NUT (M8)
77	0G9028	1	CYLINDER EXHAUST GASKET
78	0G8442D	1	ENGINE 389CC
79	0G9911	1	ENGINE ON/OFF SWITCH
80	0J00620100	1	BOLT (M5X10)
81	0H9761	1	ALTERNATOR SCROLL
82	0G8442C112	1	AIR CLEANER BRACKET
83	0G84420194	5	BOLT (M6X12)
84	0K18360110	1	CARBON CANISTER CONNECTION PIPE
85	0H0957	1	CARBON CANISTER
86	0J47650ST03	1	CARBON CANISTER BRACKET
87	0J19610ST03	1	BRACKET GUIDE PLATE
88	0J1962	1	FRAME TO CARBON CANISTER BRACKET
NOT SHOWN	0J5207C110	1	SPARK ARRESTOR