



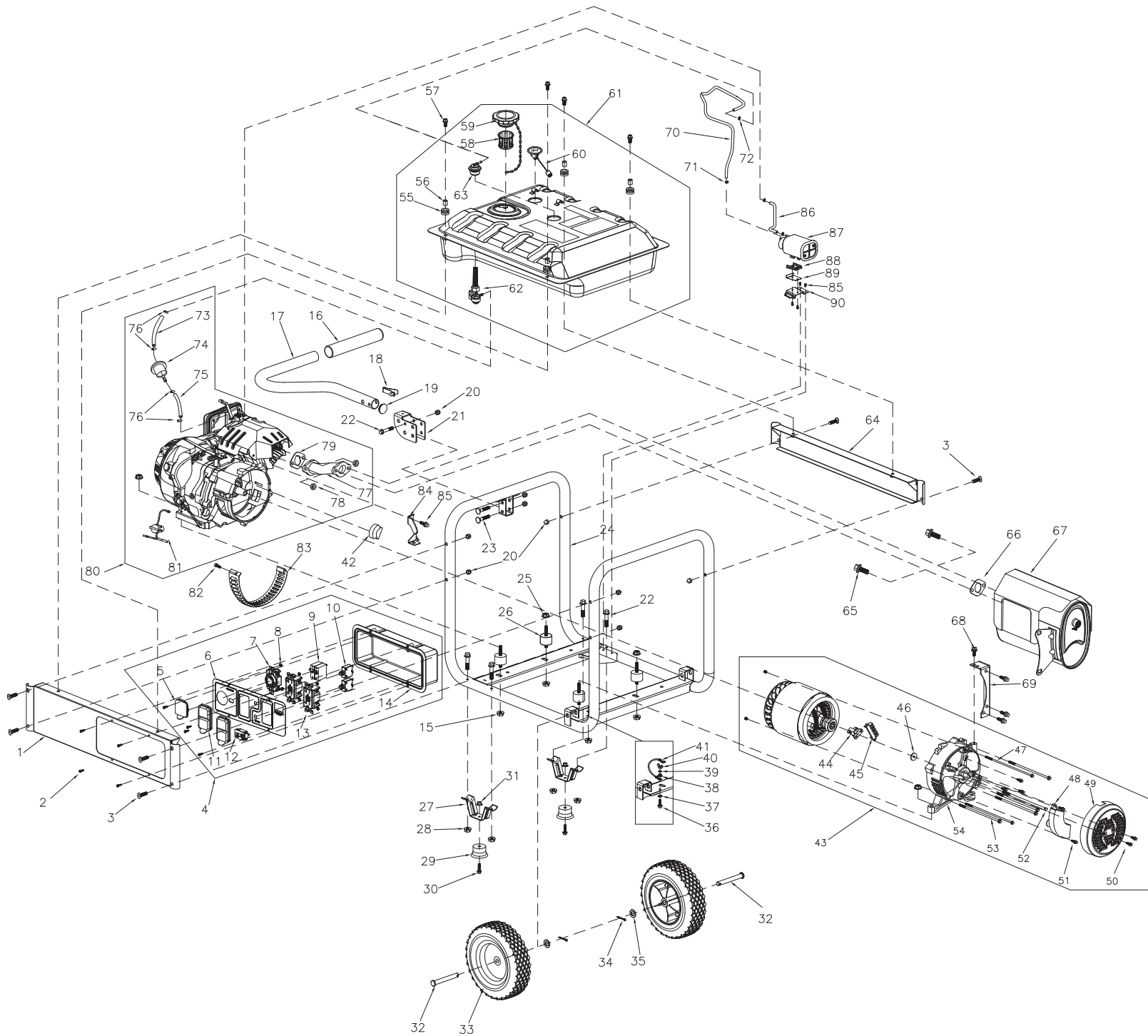
Parts Manual

GP6500 389cc CARB (Model 0059461)

NOTICE!

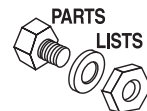
The information in this manual is known to be accurate as of the date of release shown on the cover. However, engineering changes can occur without notice. To obtain the proper parts, please be sure to use the serial number of the unit being serviced when ordering from this manual. Always refer to any parts notes and changes before ordering. All other parts not shown in this manual can be found on Generac's exploded view drawings online on GENservice at www.generac.com.

2



GP6500

GP6500



Item	Part #	Qty	Description
1	0H97480ST03	1	PANEL RAIL C/PNL SIDE GP
2	0H91980159	8	SCREW, PAN M5-16
3	0H1780	6	CURVED HEAD M8-1.25 X 41MM LNG
4	0H9775H	1	ASSY RCP PNL 30A PS CARB
5	0G9391	1	COVER, 30A 120/240V
6	0J4536B	1	FACE PLATE GP PORTABL PS
7	0G8758	1	OUTLET 30A 120/250V SPCGR
8	0J86620108	6	NUT, M4
9	0G9023C	1	CB 0030A 2P 240V C AA2 QT
10	0H0265C	2	CB 20A 1P CUL/CSA
11	0G9392	2	COVER, 20A 120V GFCI/DUPLEX
12	0G8321	1	METER, HOUR
13	0D4966	2	OUTLET 20A 120V GFCI GF20BK
14	0G9756	1	RECPTACLE PANEL STORM-GEN
15	067989	4	NUT, M8
16	0G8442C113	1	GRIP, HANDLE
17	0H97560ST15	1	HANDLE
18	0J5347	1	BUTTON, SNAP
19	0H9760	1	CAP, END
20	0H1782	9	NUT, LOCKING CAP M8
21	0H97670ST15	1	BRACKET, HANDLE
22	0B1214	5	BOLT, M8X45
23	0H1781	2	BOLT, CARRIAGE HEAD M8X46
24	0J19730ST15	1	ASSY FRAME GP5-6.5KW CARB
25	0G84420107	4	NUT, M10
26	0H1783	4	VIB MNT 35MM X 25.4 X M8-1.25
27	0K0097	2	FOOT, BENT
28	0K0098	4	NUT, M8
29	0K0099	2	RUBBER,SHOCK ABSORBER
30	0K0100	2	BOLT, M6X28
31	0K0105	2	NUT, M6
32	0H0204	2	PIN, AXLE
33	0K6011	2	WHEEL, INCH 9.5 DIA PLASTIC
34	0D4999	2	PIN, COTTER
35	022304	2	WASHER, FLAT 13X2
36	0J35220156	1	BOLT, M6X20
37	0K0093	1	WASHER, SPECIAL LOCK
38	0G84420272	1	NUT, M6
39	0J47870118	1	WASHER, FLAT 6X0.8
40	0K0094	1	NUT, M6
41	0K0092	1	GROUND LINE
42	0J86620104	1	BAFFLE
43	0K1291	1	ALT 6500W ALUMINUM BRUSH TYPE
44	0H0919	1	BRUSH, ALTERNATOR
45	0J6072	1	TERMINAL
46	070264	1	WASHER, FLAT M10X4

Item	Part #	Qty	Description
47	0H91980158	2	BOLT, FLANGE M5X220
48	0H2579B	1	AVR
49	0H3049	1	COVER ALTERNATOR INLET 5-7KW
50	0J4967	6	BOLT, M5X12
51	0J4968	3	BOLT, M5X16
52	0J86620103	1	BOLT, ROTOR M10X275
53	0H12810104	4	BOLT, STATOR M6X185
54	0H91980171	1	HOUSING, REAR BEARING
55	0H1411B	4	RUBBER MOUNT,10.3 ID X 11 HGT
56	0H1610A	4	ANTI-CRUSH 10.8OD 9ID 10LG
57	0E9507C	4	BOLT, M8X20
58	0H1326	1	FILTER, FUEL
59	0H0958	1	CAP, FUEL
60	0H9005	1	GAUGE, FUEL 7 GAL TANK
61	0H7510A0SRV	1	FUEL TANK W/ DECALS
62	0J0974	1	VALVE FUEL SHUTOFF
63	0J7921	1	ROV
64	0H9749AST03	1	PANEL RAIL BACK GP
65	0E9507B	2	BOLT, M8X25
66	0J4691	1	GASKET, EXHAUST MUFFLER
67	0J96230111	1	MUFFLER
68	0E9470	4	BOLT, M8X16
69	0G8542	1	BRACKET, MUFFLER
70	0J96230110	1	HOSE, FORMED ROV TO CARB CAN.
71	0J35220173	3	CLAMP, 012
72	0J35220174	1	CLAMP, 010
73	0G9757A	1	HOSE, FUEL, 08X55
74	0G9914	1	FILTER, FUEL
75	0G9757B	1	HOSE, FUEL, 08X80
76	0J25910115	4	CLAMP, HOSE 09
77	0J4535A	1	MANIFOLD, EXHAUST
78	0J35220161	2	NUT, M8
79	0G9028	1	GASKET, EXHAUST CYLNDR
80	0G8442D	1	ENGINE 389 PS W/O MFLR CARB
81	0G9911	1	SWITCH, ON/OFF RED-ROTARY
82	0J00620100	1	BOLT, M5X10
83	0H9761	1	SCROLL, ALTERNATOR
84	0G8442C112	1	BRACKET, AIR CLEANER
85	0G84420194	5	BOLT, M6X12
86	0J4051A	1	HOSE, FORMED CARBON CANISTER
87	0H0957	1	CANISTER, CARBON
88	0J47650ST03	1	BRACKET, CARBON CANISTER
89	0J19610ST03	1	BRACKET, CARBON CNSTR. STOP
90	0J1962	1	BRKT, FRAME TO CARBON CNSTR.
Not Shown	0J5207C110	1	ARRESTOR W/ CLAMP, SPARK