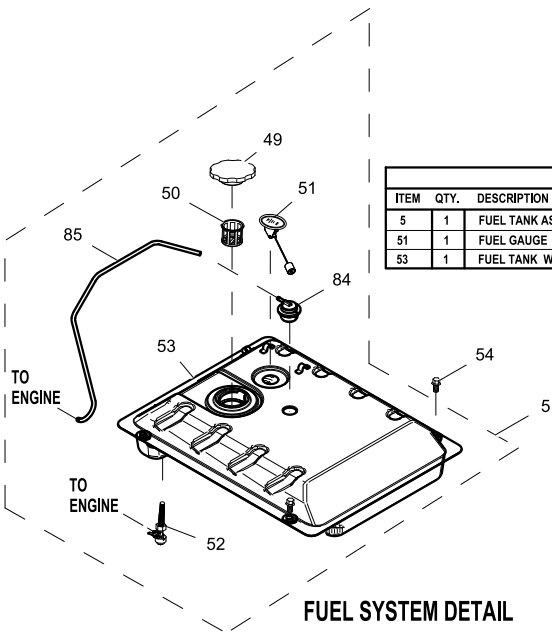


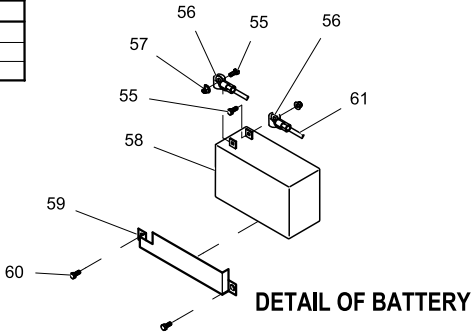
ITEM	PART	QTY.	DESCRIPTION
1	0H9756	1	HANDLE GP
2	0H9759	1	HANDLE GRIP GP
3	0G5442	1	SNAP BUTTON - .437" DIA. HEAD
4	0H9760	1	CAP, END NYLON BLACK
5	SEE SHEET 2	1	FUEL TANK ASSEMBLY GP
6	0H1411B	4	RUBBER MOUNT,10.3 ID X 11 HGT
7	0H1610A	4	INSERT, ANTI-CRUSH FOR TANKS
8	073144	1	SCREW HHFC M8-1.25 X 45 G8.8
9	0H1781	2	CHB M8-1.25 X 46MM LONG
10	0H9767	1	HANDLE BRACKET GP LN
11	0H1782	9	CAP NUT M8-1.25 BLACK ZINC
12	048031B	4	CLAMP HOSE BAND SPRING .38
13	0G9757A	1	FUEL HOSE
14	0G9914	1	FUEL FILTER
15	0G9757B	1	FUEL HOSE
16	SEE TABLE 1	1	ENGINE W/O MUFFLER
17	045770	1	SCREW HHC M5-0.8 X 10 C8.8
18	0H9761	1	ALTERNATOR SCROLL GP
19	SEE SHEET 2	1	CONTROL PANEL ASSEMBLY
20	0H9748	1	PANEL RAIL C/PNL SIDE GP
21	0G8382	4	SCREW PPPH #8-16 X .66" BZC
22	0H1780	6	CURVED HEAD M8-1.25 X 41MM LNG
23	039414	4	SCREW HHC M8-1.25 X 35 C8.8
24	022129	4	WASHER LOCK M8-5/16
25	022145	4	WASHER FLAT 5/16-M8 ZINC
26	0H1783	4	VIB MNT 35MM X 25.4 X M8-1.25
27	067989	8	NUT HEX FL WHIZ M8-1.25
28	0H1114	1	FOOT, BENT, GP5000-GP8000
29	0E9470	6	SCREW HHFC M8-1.25 X 16 G8.8
30	0H1829	2	VIB MNT 38.1 X 25.4 X M8-1.25
31	076340	1	SCREW HHFC M6-1.0 X 16 G8.8
32	0G8753C	1	WIRE ASSY GND ALT TO BASE
33	0A1658	1	WASHER LOCK SPECIAL 1/4"
34	0J4534	1	LUG, SOLDERLESS #2-#8
35	SEE TABLE 1	1	ASSEMBLY FRAME GP
36	045771	2	NUT HEX M8-1.25 G8 CLEAR ZINC
37	0G9028	1	GASKET, EXHAUST
38	0E9507B	2	SCREW HHFC M8-1.25 X 25 W/M10
39	0J4535A	1	MANIFOLD EXHAUST GP5-7.5E 2011
40	0J4691	1	GASKET, EXHAUST, MFLR SIDE
41	0H9749	1	PANEL RAIL BACK GP
42	SEE TABLE 1	1	ASSY MUFFLER GP
43	0G8542	1	BRACKET, MUFFLER
44	SEE SHEET 2	1	ALTERNATOR, BRUSHED
45	022304	2	WASHER FLAT 1/2 ZINC
46	0D4999	2	PIN COTTER 1/8 X 1-1/4 ZN PLT
47	0G8651	2	WHEEL, INCH 9.5 DIA, PLASTIC
48	0H0204	2	AXLE PIN, 1/2"X 4", 3/4" HEAD

ITEM	QTY.	DESCRIPTION	5500W PS	6500W PS	6500W ES
16	1	ENGINE W/O MUFFLER	0G8442A	0G8442A	0H9198A
35	1	FRAME	0H9762	0H9762	0J0246
42	1	ASSY MUFFLER GP	0H9763A	0H9763A	0H9763A

NOTE: PS = PULL START
ES = ELECTRIC START



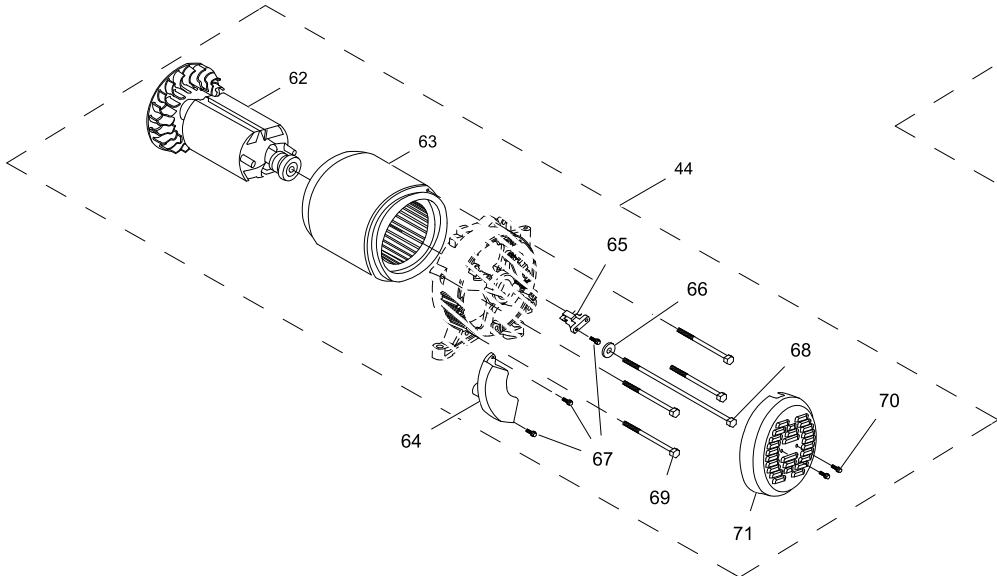
FUEL SYSTEM TABLE					
ITEM	QTY.	DESCRIPTION	5500W PS	6500W PS	6500W ES
5	1	FUEL TANK ASSEMBLY GP	0H7510A	0H7510A	0H7510A
51	1	FUEL GAUGE	0H9005	0H9005	0H9005
53	1	FUEL TANK WELDMENT	0H7509A	0H7509A	0H7509A



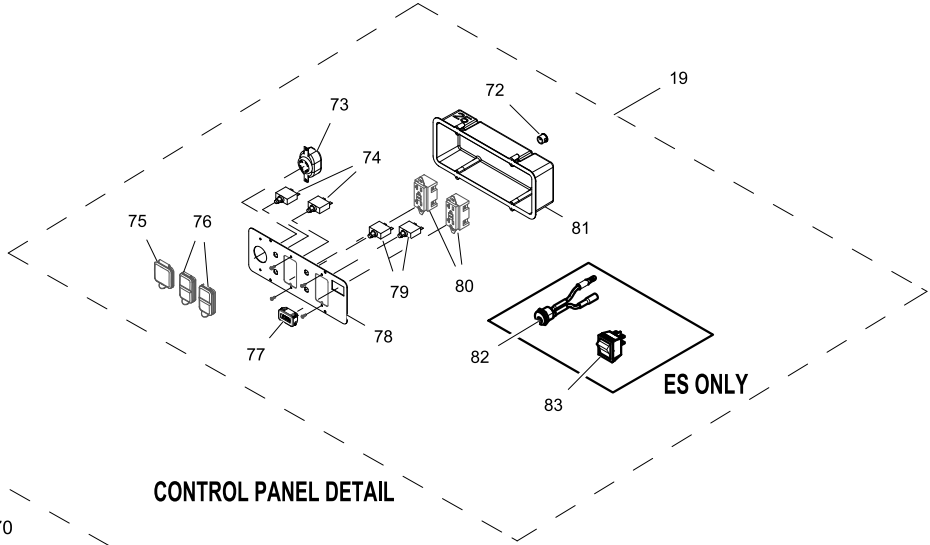
DETAIL OF BATTERY

CONTROL PANEL TABLE					
ITEM	QTY.	DESCRIPTION	5500W PS	6500W PS	6500W ES
19	1	CONTROL PANEL	0H9775D	0H9775B	0H9775E
72	-	SNAP BUSHING.75 OPEN	0A5489 (QTY: 1)	0A5489 (QTY: 1)	0A5489 (QTY: 2)
74	2	BREAKER 1P 120V CUL/CSA JOEMEX	0H0265D	0H0265E	0H0265E
78	1	FACE PLATE	0J4536	0J4536	0J4536A
81	1	BOX	0G9756	0G9756	0G9756A

ALTERNATOR TABLE				
ITEM	QTY.	DESCRIPTION	5500W	6500W
44	1	ASSY ALTERNATOR	0J4062	0H1281
62	1	ASSY ROTOR W/FAN VN	0J4970	0J4971
63	1	ASSY STATOR VN	0J4974	0J4975
64	1	AVR	0H2579B	0H2579B
68	1	SCREW HHC M10-1.5 ROTOR	0J4982	0J4982
69	4	SCREW HHC M6-1.0 STATOR	0J4979	0J4979



ALTERNATOR DETAIL



CONTROL PANEL DETAIL

ITEM	PART	QTY.	DESCRIPTION
49	0H0958	1	ASSY GAS CAP SEALED - CHROME
50	0H1326	1	FILTER, FUEL
51	See FUEL SYSTEM TABLE	-	FUEL GAUGE
52	0J0974	1	VALVE FUEL SHUTOFF
53	See FUEL SYSTEM TABLE	-	FUEL TANK WELDMENT
54	0E9507C	4	SCREW HHFC M8-1.25 X 20 W/M10
55	052618	2	SCREW HHC M5-0.8 X 12 C8.8
56	0J4157A	1	WIRE ASSY,BATT NEG,GRN
57	0H3535	2	NUT FLANGE M5-0.8 NYLOCK
58	0G9449	1	BATTERY 12V10AH SEALED
59	0J0694	1	BRACKET BATTERY GP 5.5-7.5E
60	0J4033	2	SCREW HHFC M6-1.0 X 14
61	0J4157B	1	WIRE ASSY,BATT POS,RED
62	See ALTERNATOR TABLE	-	ASSY ROTOR W/FAN VN
63	See ALTERNATOR TABLE	-	ASSY STATOR VN
64	See ALTERNATOR TABLE	-	AVR
65	0H0919	1	ASSEMBLY,BRUSH VN
66	070264	1	WASHER FLAT M10
67	0J4968	4	SCREW HHFC M5-0.8 X 16
68	See ALTERNATOR TABLE	-	SCREW HHC M10-1.5 ROTOR
69	See ALTERNATOR TABLE	-	SCREW HHC M6-1.0 STATOR
70	0J4967	2	SCREW HHFC M5-0.8 X 12
71	0H3049	1	COVER ALTERNATOR INLET 5-7KW
72	See CONTROL PANEL TABLE	-	SNAP BUSHING .75 OPEN
73	0G8758	1	OUTLET 30A 120/250V SPCGR
74	See CONTROL PANEL TABLE	-	BREAKER 1P 120V CUL/CSA JOEMEX
75	0G9391	1	COVER,30A 120/240V
76	0G9392	2	COVER, 20A 120V GFCI/DUPLEX
77	0G8321	1	HOUR METER W/ALERTS AC/DC
78	See CONTROL PANEL TABLE	1	FACE PLATE GP PORTABLE
79	0H0265C	2	CB 20A 1P 120V CUL/CSA JOEMEX
80	0D4968	2	OUTLET 20A 120V DPLX 6342BK
81	See CONTROL PANEL TABLE	-	RECPTACLE PANEL STORM-GEN
82	0J4959	1	CHARGING JACK
83	0J0251A	1	SW RUN-STOP HONEYWELL
84	0J7921	1	ASSEMBLY ROV
85	0J2921	1	HOSE FORMED ROV-AIRBOX GP EPA