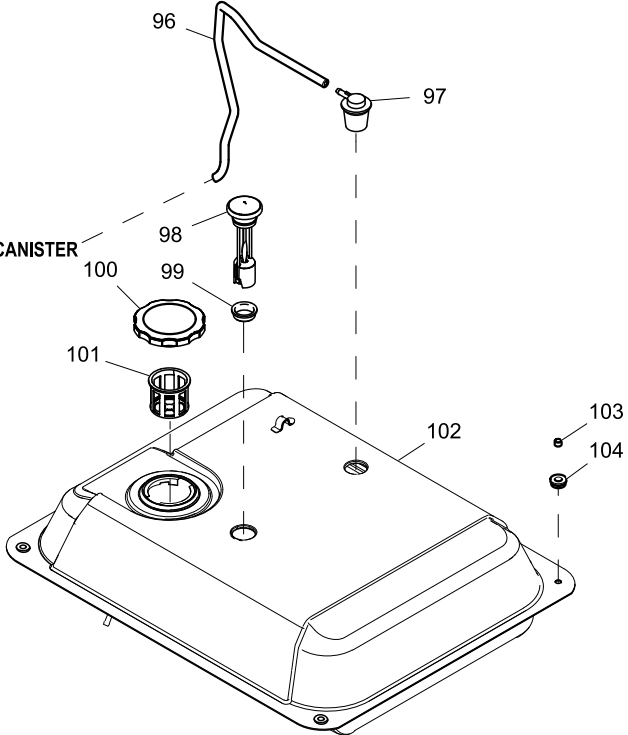
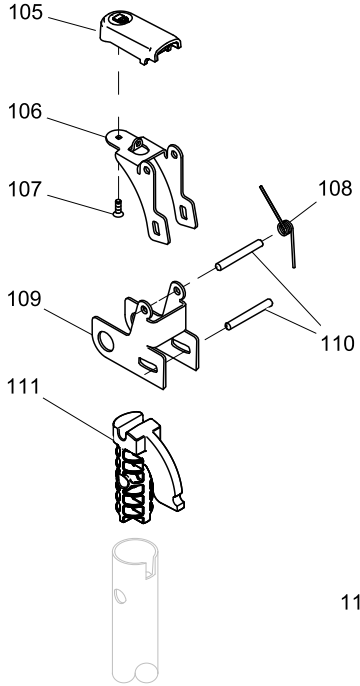


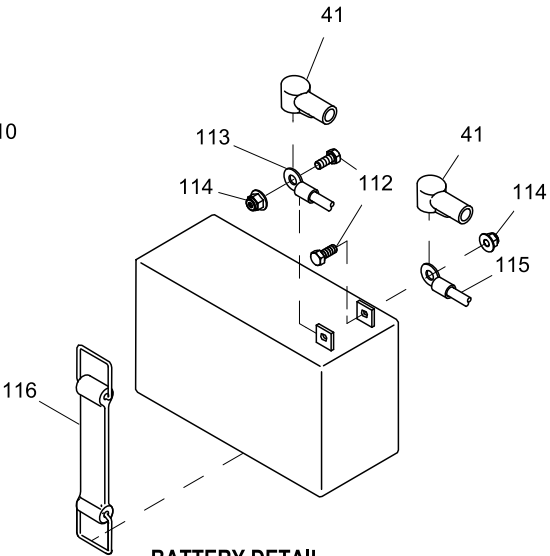
ENGINE DETAIL



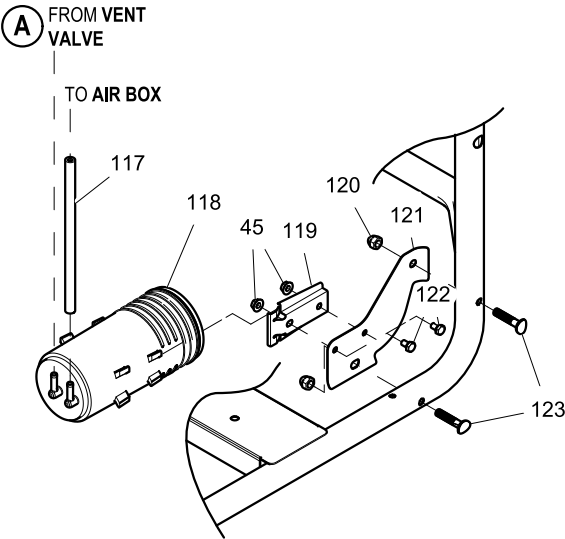
GAS TANK DETAIL



HANDLE LOCK DETAIL



BATTERY DETAIL



CANISTER DETAIL

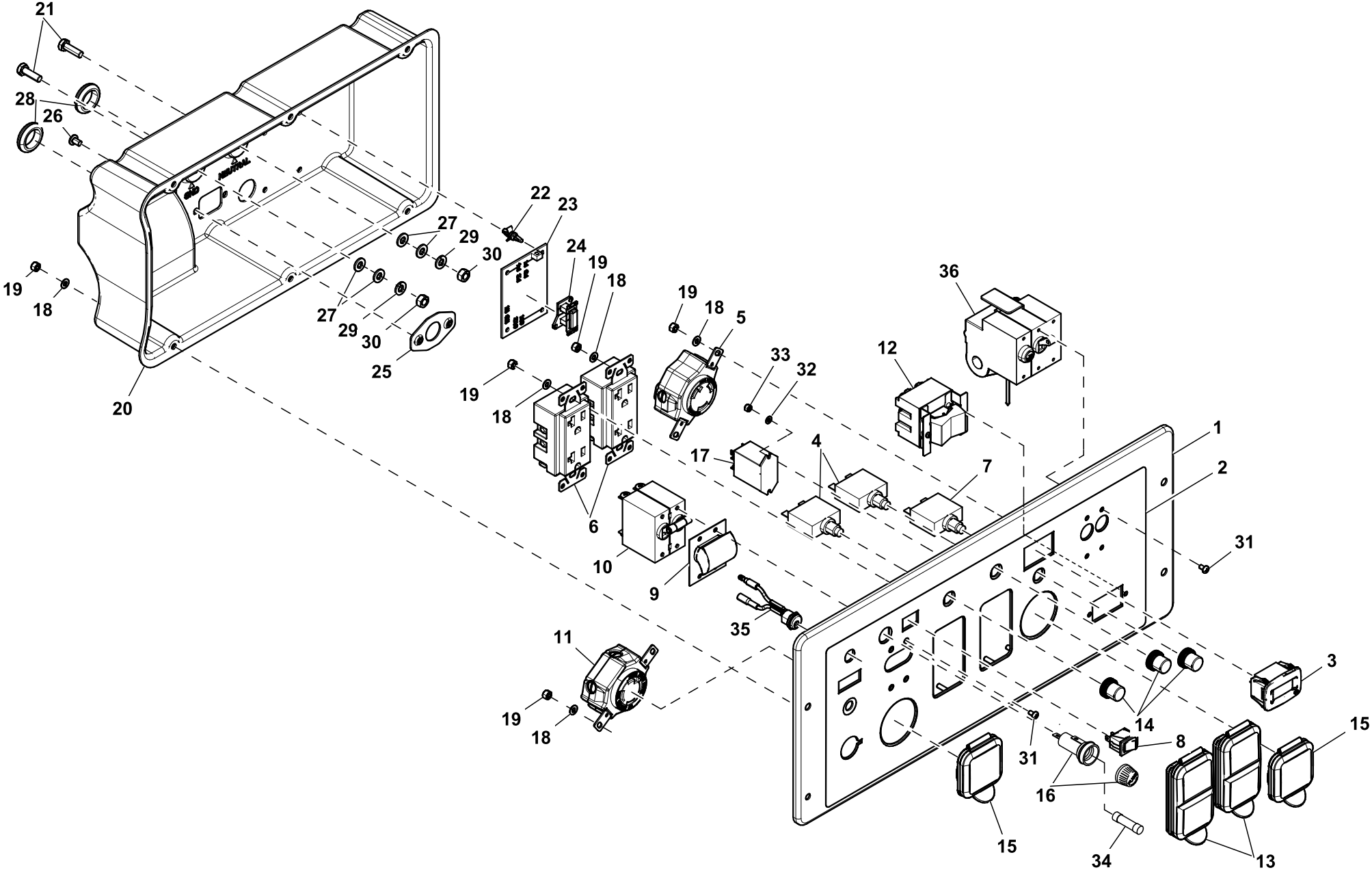
GROUP EV

ITEM	PART	QTY.	DESCRIPTION
1	0H7504A	1	ASSY FUEL TANK 9 GAL XP CARB
2	0G9029	4	SCREW TTH M8-1.25 X 20
3	0G4933	16	SCREW SWT 1/4-20 X 5/8 W/W
4	0H8149	1	PANEL SIDE XP
5	052677	2	WASHER NYLON .50 X .87 X .06
6	0H7950	2	BUSHING, FLANGED HEAD
7	049820	2	NUT HEX LOCK M8-1.25 NY INS
8	0H7955	1	ASSY LIFTING BEAM XP6.5-8
9	0G3730	5	SCREW SHC M8-1.25 X 20 SEMS
10	070008	1	WASHER FLAT M8 SS
11	0J1075	1	WLDMNT MTG MUFFLER ALT SIDE
12	0J2953	1	SCREW HHFC M6-1X25 8.8 W/PATCH
13	030209	1	SCREW HHC 5/16-24 X 1-1/4 G5
14	022129	1	WASHER LOCK M8-5/16
15	0G9832	1	BRACKET, MOUNTING, ALT 7KW
16	022511	3	SCREW HHC 3/8-16 X 1-1/4 G5
17	046526	3	WASHER LOCK M10
18	0J5341	1	ASSY ENGINE 410 XP CARB
19	0F5579	1	SCREW HHC SHLDR M5-0.8X20 G8.8
20	0E4190	1	CLAMP, 3/16" COATED CABLE
21	067989	10	NUT HEX FL WHIZ M8-1.25
22	045771	3	NUT HEX M8-1.25 G8 CLEAR ZINC
23	0742600195	1	WIRE ASSY FRAME TO BATT-NEG
24	070006	1	WASHER LOCK M8 SS
25	084508A	2	VIBRATION MNT 45 ANGLE 65 DURO
26	057821	1	SCREW HHC M8-1.25 X 40 C8.8
27	081990	2	SCREW SHC M8-1.25 X 40 C8.8
28	085651	2	VIB MNT 25 X 31.8 X M8-1.25
29	0H8083	1	WELD CRADLE ALT END
30	0G8590A	2	CORNER SUPPORT - OUTER XP PORT
31	0G8590B	2	CORNER SUPPORT - INNER XP PORT
32	0H8013	8	SCREW HHFC M8-1.25X60 C8.8 ZP
33	0G8584	4	BRACKET END PANEL
34	0H8152	1	PANEL END XP
35	0G9035A	1	CORNER HANDLE SUPT-LFT INNER
36	0G9035B	1	CORNER HANDLE SUPT-LFT OUTER
37	0G9093	2	SCREW SHSH M8-1.25 X 40
38	0H8399	1	WELD END PANEL XP
39	0G8023H	1	BATTERY CHARGER 13.4VDC 2.5A
40	0H8401	1	BRKT HOLD DOWN BATT CHRGR
41	0G6392	4	BOOT, VINYL STARTER-SOLENOID
42	089338	2	NUT HEX LOCK 1/4-20 NY INS

ITEM	PART	QTY.	DESCRIPTION
43	086729	1	CONTACTOR, STARTER SOLENOID
44	027529	2	NUT HEX LOCK #8-32 NY INS BRS
45	0E8388	11	NUT HEX FL WHIZ M6-1.0
46	0H8168	1	WELD HDL H-STYLE FOLD DOWN
47	0H8644	2	GRIP HANDLE FOAM
48	0G9034A	1	CORNER HANDLE SUPT-RT OUTER
49	0G9034B	1	CORNER HANDLE SUPT-RT INNER
50	0H8084	1	WELD CRADLE ENGINE END
51	0H1708A	2	CURVED HEAD M8-1.25 X 42MM LNG
52	0C5786	1	VALVE, FUEL SHUT OFF
53	0H8205	1	MTG FUEL VALVE RETAINER
54	0G9560B	1	CABLE CHOKE PORT NOM 465
55	0G9549	1	SWITCH SPDT (ON)-OFF-ON 20A
56	0G9449	1	BATTERY 12V10AH SEALED
57	0H9159	2	ASSY FOOT
58	051767	2	SCREW HHC M6-1.0 X 45 C8.8 FTH
59	070007	2	WASHER FLAT M6 SS
60	0L2176	2	SCREW HHSD PREMIUM 1/4-14X1 BZ
61	0G3110	1	SCREW HHTT M6-1.0 X 25 ZINC
62	055414	1	LUG SLDLSS #2-#8 X 17/64 CU
63	0742600194	1	GRND WIRE PORT BRG CARR-FRAME
64	0A1658	1	WASHER LOCK SPECIAL 1/4"
65	0H8130	1	WELD PANEL SIDE C-PNL XP
66	0H3443	2	COTTER HAIRPIN 2.56 X .80
67	0H0653	2	WASHER FLAT 5/8 ID X 0.039"THK
68	0G8582	2	WHEEL 10"DIA, OFFSET HUB
69	022247	2	WASHER FLAT 5/8 ZINC
70	0J1057	1	AXLE 16MM DIA X 681 CLR ZINC
71	0J4192	1	WLDMNT SUPPORT MUFFLER
72	0J3826	1	J-BOLT MUFFLER M8-1.25
73	052858	1	NUT TOP LOCK FL M8-1.25
74	0J4968	3	SCREW HHFC M5-0.8 X 16
75	0J4967	2	SCREW HHFC M5-0.8 X 12
76	0H3049	1	COVER ALTERNATOR INLET 5-7KW
77	0912970099	1	WIRE, JUMPER, SOL COIL-CONTACT
78	0J0772	1	CLIP SNAP-IN WIRE MANAGEMENT
79	048031G	2	CLAMP HOSE BAND .41
80	0H3455E	1	FUEL HOSE, 160 MM LONG
81	0J1757	1	WLDMNT MTG MUFFLER SIDE
82	0H0919	1	BRUSH ASSY
83	058653	2	WASHER FLAT M8
84	042907	2	SCREW HHC M8-1.25 X 16 C8.8

ITEM	QTY.	DESCRIPTION	6500W	8000W
85	1	ALTERNATOR SAE BT COP-AL VN	0H8886	0H8887
86	1	AVR	0H2579B	0H2579C
87	1	ASSY C-PNL	0J2460	0J2412

ITEM	PART	QTY.	DESCRIPTION
86	048031B	4	CLAMP HOSE BAND SPRING .38
87	0G9757A	1	FUEL HOSE 4 ID X 8.5OD X 55MM
88	0G9914	1	FUEL FILTER 389
89	0G9757B	1	FUEL HOSE 4 ID X 8.5OD X 80MM
90	090239	1	GASKET, EXHAUST
91	0J1708	1	MANIFOLD 410CC
92	0H8159A	2	SCREW SHC SEMS FLAT M8-1.25X20
93	040976	2	SCREW SHC M8-1.25 X 20 C12.9
94	0C4138	1	GASKET,EXHAUST PORT
95	0J3423	1	MUFFLER GTH410 CARB
96	0H1207	1	HOSE 11MM OD X 5.5MM ID X 33IN
97	0H1142	1	ASSY, ROLL OVER SLANT VALVE
98	0H7520A	1	FUEL GAUGE,ROUND 6.5" LONG
99	0H7521	1	GROMMET FUEL GAUGE ROUND
100	0H0958A	1	ASSY GAS CAP SEALED - BLACK
101	0H1326	1	FILTER, FUEL
102	0H7503A	1	WELDMENT FUEL TANK XP CAL
103	0H1610	4	INSERT, ANTI-CRUSH FOR TANKS
104	0H1411	5	RUBBER MOUNT, 10.8 ID X 9 TALL
105	0G9039	2	BUTTON LATCH RELEASE
106	0G9038	2	LEVER, LATCH RELEASE
107	0G9096	2	SCREW PFHP #8-16 X 1/2
108	0G9040	2	SPRING TORSION, LATCH RELEASE
109	0G9037	2	BRACKET, LATCH
110	0G9041	4	PIVOT PIN, LATCH RELEASE
111	0G9036	2	PLUG, FOLD DOWN HANDLE
112	052618	2	SCREW HHC M5-0.8 X 12 C8.8
113	0742600183	1	WIRE, #16 START SOL-STARTER XP
114	0H3535	6	NUT FLANGE M5-0.8 NYLOCK
115	0742600196	1	WIRE ASSY SOL TO BATT-POS
116	0H7945	1	ASSEMBLY, BATTERY STRAP
117	0H1207G	1	HOSE 11MM OD X 5.5MM ID X 8IN
118	0H5994	1	CARBON CANISTER,410CC ENGINE
119	0H5993	1	BRACKET,CARBON CAN 410CC ENGINE
120	0G8486	2	CAP NUT 5/16-18 ZBC
121	0H8110	1	BRKT CARBN CANISTER MNT XP
122	043146	2	SCREW HHC M6-1.0 X 10 C8.8
123	0G8467	2	CURVED HEAD 5/16-18 X 1.625 LG



EXPLODED VIEW: EV CNTRL PANEL 410 PORT 6.5KW**DRAWING #:0J2956****GROUP EV****APPLICABLE TO:**

ITEM	PART#	QTY.	DESCRIPTION
1	0J2461	1	ASSY COVER C-PNL 6.5KW XP
2	0J2463	1	OVERLAY CONTROL PANEL XP6.5
3	0H8214	1	HOUR METER W/ALERTS AC/DC
4	0H0265C	2	CB 20A 1P 120V CUL/CSA JOEMEX
5	068868	1	OUTLET 30A 120V RECEIPT
6	0D4968	2	OUTLET 20A 120V DPLX 6342BK
7	0H0265E	1	CB 30A 1P 120V CUL/CSA JOEMEX
8	087968	1	SWITCH, ROCKER -/0
9	0C7340	1	BOOT, CIRCUIT BREAKER
10	0G9023C	1	CB 0030A 2P 240V C AA2 QT
11	0G8758	1	OUTLET 30A 120/250V SPCGR
12	0H8037	1	SWITCH,SELECTOR,120/240V,30A
13	0G9392	2	COVER, 20A 120V GFCI/DUPLEX
14	0J3223	3	BOOT/NUT,SWITCH COVER
15	0G9391	2	COVER,30A 120/240V
16	0H6856	1	FUSE HOLDER,10A/250V AC,R3-13
17	0E3927	1	RELAY DPDT NO 10A 120VAC COIL
18	043180	14	WASHER FLAT M4
19	0E6480	14	NUT HEX LOCK M4-0.7 NY INS
20	0H8118	1	CONTROL BOX XP SERIES PORTABLE
21	042568	2	SCREW HHC M6-1.0 X 20 C8.8
22	040213C	4	PCB SUPPORT SNAP-IN 3/16"
23	0H8447	1	ASSY PCB XP PORTABLE CNTRL.
24	084028	1	TRANSFORMER IDLE CNT
25	0H3349	1	WIRE ADAPTER PLATE
26	0E5333	2	SCREW PHTT M5-0.8 X 8 ZINC
27	049811	4	WASHER FLAT M6
28	038057	2	GROMMET 7/8 X 1/16 X 3/4
29	022097	2	WASHER LOCK M6-1/4
30	049813	2	NUT HEX M6-1.0 G8 CLEAR ZINC
31	036900	8	SCREW PPHM #6-32 X 1/4
32	052777	2	WASHER FLAT M3
33	0D9784	2	NUT HEX LOCK M3-0.5 NY INS
34	067682D	1	FUSE SLOBLO 1.5A GLASS
35	0H9126	1	ASSY 12VDC POWER JACK XP
36	0J2352A	1	GFCI RCBO ASSY 30AMP UL943