

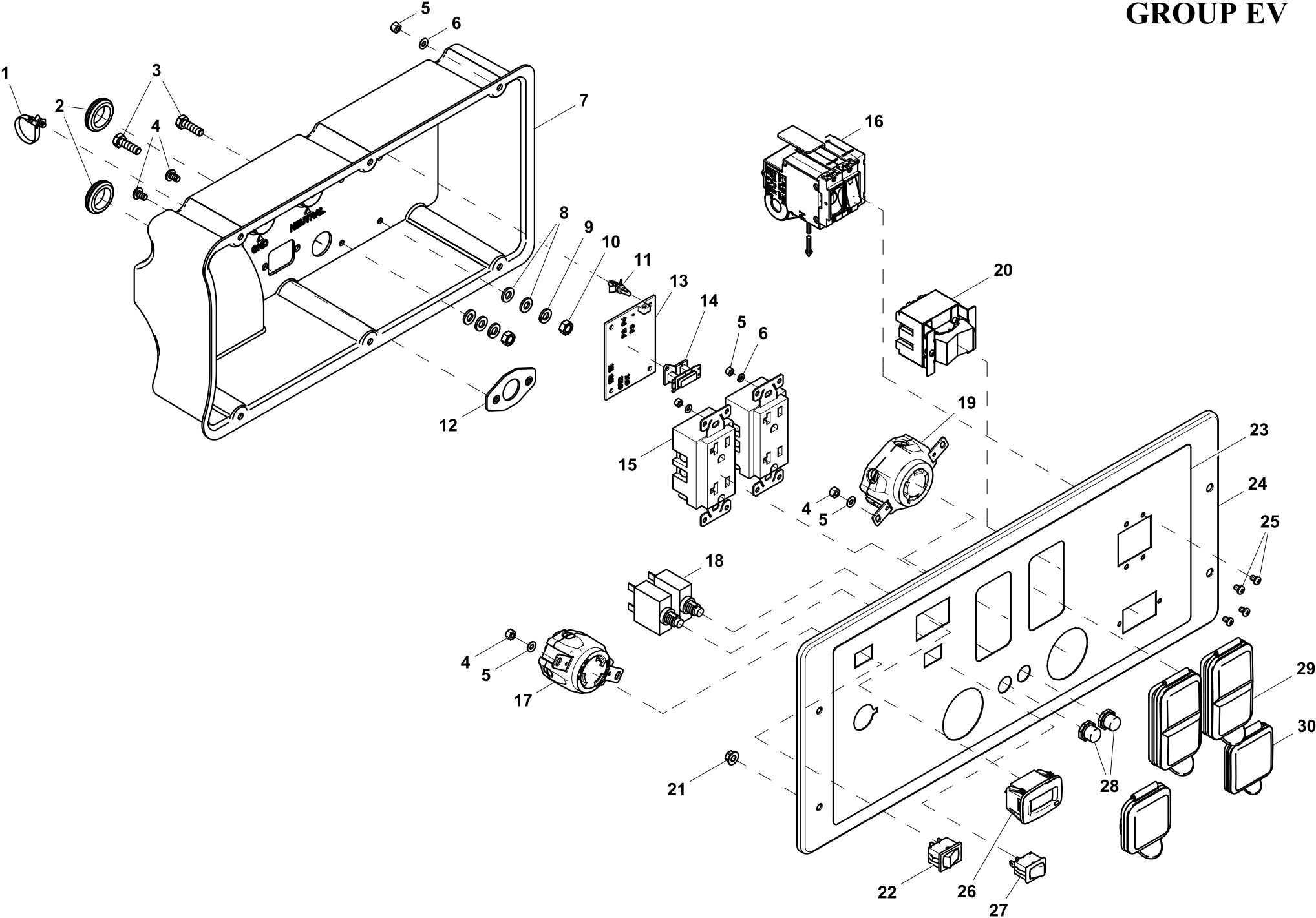
## EXPLODED VIEW: EV GENERATOR 220 PORTABLE XP

DRAWING #: 0J3568A

## GROUP EV

ITEM	PART#	QTY.	DESCRIPTION
1	0H8500A	1	ASSY FUEL TANK 5 GAL XP CARB
2	0G9029	4	SCREW TTH M8-1.25 X 20
3	0G4933	16	SCREW SWT 1/4-20 X 5/8 W/W
4	0H8534	1	PANEL, SIDE XP4
5	052677	2	WASHER NYLON .50 X .87 X .06
6	0H7950	2	BUSHING, FLANGED HEAD
7	0K8086	2	COTTER HAIRPIN .078" X 1.188"
8	0H8658	1	ASSY, LIFTING BEAM XP4
9	0H8473	1	ENGINE GH220 XP4 PS 49ST 2011
9A	0J3583	1	ENGINE GH220 XP4 ES CARB 2011 SEE NOTE 1
10	089476	1	GASKET, EXHAUST 1.6 MM
11	0G0919	2	SCREW HHFCS M6-1 X 12 G8.8
12	0H2757	1	MUFFLER, GH220, SIDE OUT, XG
13	022145	5	WASHER FLAT 5/16-M8 ZINC
14	022129	4	WASHER LOCK M8-5/16
15	030209	4	SCREW HHC 5/16-24 X 1-1/4 G5
16	0J2348	1	WLDMNT PANEL END XP 3.6KW
17	0K8152	2	CURVED HEAD CLEVIS PIN
18	0K8661	1	WELD CRADLE ENGINE END
19	0H1218	4	NUT FLANGE 5/16-18 NYLON
20	0H2698	1	BRACKET, MOUNTING, MUFFLER, 220XG
21	0D4662	1	SCREW HHTR 5/16-18 X 3/4"
22	0H1113	2	VIB MNT 1.38X1.0X5/16-18 MXM
23	0H8409	1	WELD CRADLE ALT END
24	0J2348A	1	WLDMNT PANEL END XP 3.6KW
25	067989	6	NUT HEX FL WHIZ M8-1.25
26	084508A	2	VIBRATION MNT 45 ANGLE 65 DURO
27	081990	2	SCREW SHC M8-1.25 X 40 C8.8
28	0K2918	1	ASSY C-PNL XP4000
29	078653	1	SWITCH ENGINE RUN-STOP
30	0E8388	5	NUT HEX FL WHIZ M6-1.0
31	0H8205	1	MTG FUEL VALVE RETAINER
32	0C5786	1	VALVE, FUEL SHUT OFF
33	0H8532	1	WELD PANEL SIDE C-PNL XP4
34	0L2176	2	SCREW HHSD PREMIUM 1/4-14X1 BZ
35	0H7520	1	FUEL GAUGE, ROUND 6" LONG
36	0H7521	1	GROMMET FUEL GAUGE ROUND
37	0J1699A	1	EVAP HOSE FORMED NOM 851
37A	0H1207K	1	HOSE 8MM OD X 4MM ID X 20" SEE NOTE 1
38	0H1326	1	FILTER, FUEL
39	0G3110	1	SCREW HHTT M6-1.0 X 20 ZINC
40	055414	1	LUG SLDLSS #2-#8 X 17/64 CU
41	0742600194	1	GRND WIRE PORT BRG CARR-FRAME
42	0A1658	1	WASHER LOCK SPECIAL 1/4"
43	0J4446	1	HEAT SHIELD 3.6KW XP PORTABLE
44	0F7806	4	NUT HEX FL WHIZ M4-0.7
45	0J2347	1	BRKT CARBON CANISTERSEE NOTE 1
46	0H5726	1	CARBON CANISTER, 216CC SEE NOTE 1
47	0H8601	1	ALTERNATOR SAE BT COP-AL VN
48	0H2579	1	AVR
49	0H0919	1	BRUSH ASSY
50	049815	2	SCREW, BRUSH ASSY
51	052618	2	SCREW, ALTERNATOR COVER
52	0H3049	1	ALTERNATOR COVER
53	0H1207J	1	HOSE 14MM OD X 9MM ID X 22.5" SEE NOTE 1
54	0H0958A	1	ASSY GAS CAP SEALED - BLACK
55	0H8499A	1	WLDMNT FUEL TANK 5 GAL XP CARB
56	0H3630	1	ROLLOVER VALVE
57	0H3455H	1	FUEL HOSE 122MM LONG
58	022473	2	WASHER FLAT 1/4-M6 ZINC
59	0J0772	1	CLIP SNAP-IN WIRE MANAGEMENT
60	0G3730	2	SCREW SHC M8-1.25 X 20 SEMS
61	048031G	2	CLAMP HOSE BAND .41
62	0H3631	1	GROMMET, ROLLOVER VALVE

**GROUP EV**



ITEM	PART	QTY.	DESCRIPTION
1	0J7549	1	TIE WRAP PUSH MNT QUICK REL
2	038057	2	GROMMET 7/8 X 1/16 X 3/4
3	042568	2	SCREW HHC M6-1.0 X 20 C8.8
4	0E5333	2	SCREW PHTT M5-0.8 X 8 ZINC
5	0E6480	14	NUT HEX LOCK M4-0.7 NY INS
6	043180	14	WASHER FLAT M4
7	0H8118	1	CONTROL BOX XP6.5-8KW PORTABLE
8	049811	4	WASHER FLAT M6
9	022097	2	WASHER LOCK M6-1/4
10	049813	2	NUT HEX M6-1.0 G8 CLEAR ZINC
11	040213C	4	PCB SUPPORT SNAP-IN 3/16"
12	0H3349	1	WIRE ADAPTER PLATE
13	0H8447	1	ASSY PCB XP PORTABLE CTRL
14	084028	1	TRANSFORMER IDLE CNT
15	0D4968	2	OUTLET 20A 120V DPLX 6342BK
16	0K2706A	1	GFCI RCBO ASSY UL943 RCKR 15A
17	0G8758	1	OUTLET 30A 120/250V SPCGR
18	0H0265C	2	CB 20A 1P 120V CUL/CSA JOEMEX
19	068868	1	OUTLET 30A 120V RECEPT
20	0H8037	1	SWITCH SELECTOR 120/240V 30A
21	0E8388	4	NUT HEX FL WHIZ M6-1.0
22	078653	1	SWITCH ENGINE RUN-STOP
23	0K2917	1	OVERLAY C-PNL XP4000
24	0K2916	1	ASSY COVER C-PNL XP4000
25	036900	4	SCREW PPHM #6-32 X 1/4
26	0H8214	1	HOUR METER W/ALERTS AC/DC
27	087968	1	SWITCH, ROCKER -/0
28	0J3223	2	BOOT/NUT, SWITCH COVER
29	0G9392	2	COVER, 20A 120V GFCI/DUPLEX
30	0G9391	2	COVER, 30A 120/240V