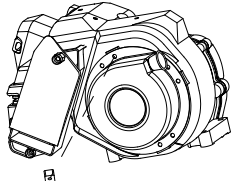
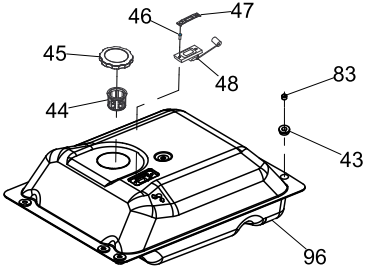


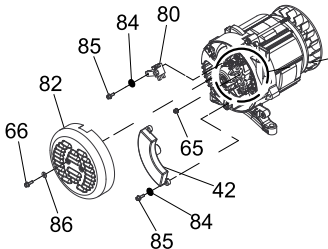
# GROUP



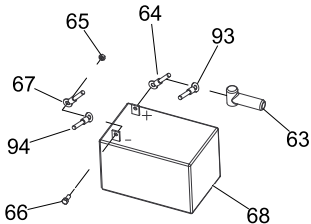
ROUTE HOSE THROUGH CLIP  
DETAIL OF FRONT OF ENGINE



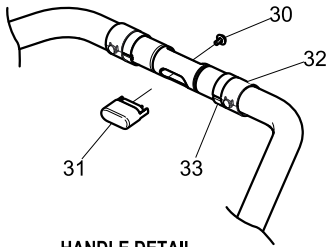
DETAIL OF GAS TANK



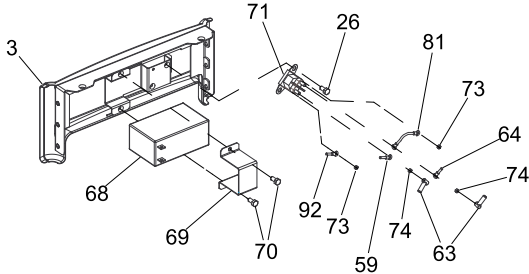
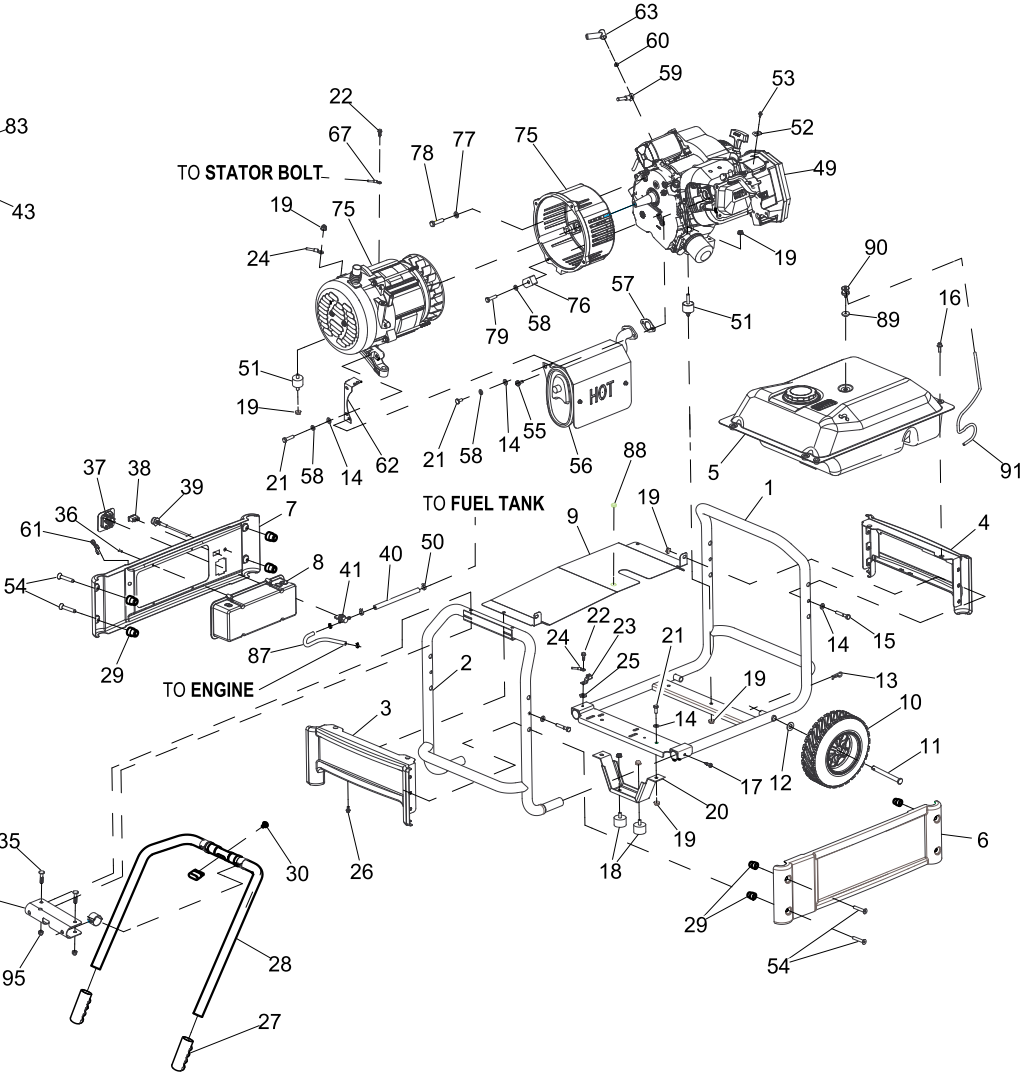
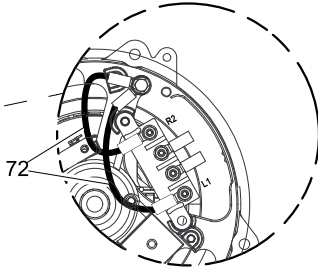
DETAIL OF ALTERNATOR



DETAIL OF BATTERY



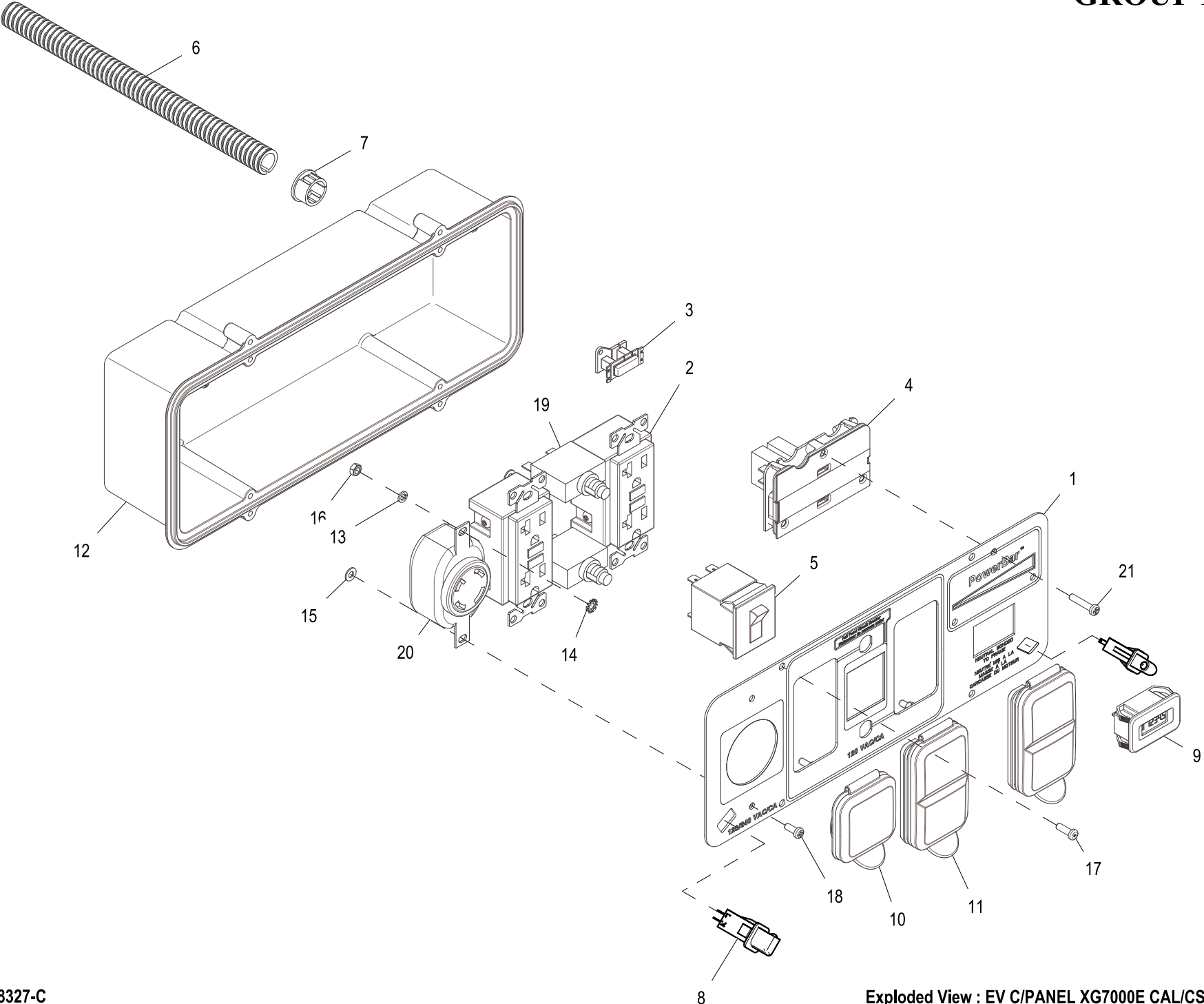
HANDLE DETAIL



DETAIL OF BACK PANEL

# GROUP EV

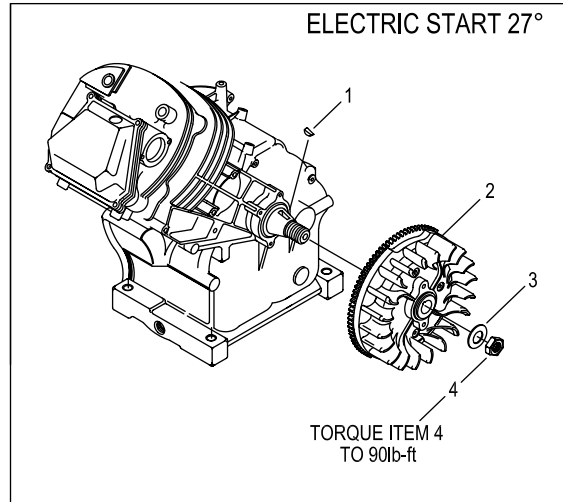
ITEM	PART	QTY.	DESCRIPTION	ITEM	PART	QTY.	DESCRIPTION
1	0J4654	1	FRAME BASE ASSY XG8000E	49	0J2515	1	410CC ENGINE - XG7000
2	0J4653	1	FRAME,END,ASSY XG8000E	50	048031G	4	CLAMP HOSE BAND .41
3	0H2392C	1	ASSY,END PNL ALT. END	51	0H2043	4	VIB MOUNT 35 X 12 X M8-1.25
4	0H2392A	1	ASSY,END PANEL XG8	52	0E4190	1	CLAMP, 3/16" COATED CABLE
5	0H2564A	1	ASSY,FUEL TANK XG8 9GAL CARB	53	0F5579	1	SCREW HHC SHLDR M5-0.8X20 G8.8
6	0H2394B	1	PANEL, SIDE	54	0H6059	8	SCREW FHSC M8-1.25 X 60 BZC
7	0H2394A	1	PANEL,C/PNL SIDE	55	0G3730	2	SCREW SHC M8-1.25 X 20 SEMS
8	0H5285B	1	ASSY RECP PANEL XG7KW CSA	56	0H3033	1	ASSY MUFFLER 410CC XG 6.5-7
9	0H6371	1	HEAT SHIELD, XG6.5-8	57	090239	1	GASKET, EXHAUST
10	0H4420	2	WHEEL,9.5",1/2" AXLE,XG RALLYE	58	022129	5	WASHER LOCK M8-5/16
11	0H1129	2	AXLE, PIN, 1/2 IN, XG	59	0742600191	1	WIRE ASSEMBLY
12	087171	2	WASHER FLAT 1/2 SS	60	0B2236	1	NUT HEX LOCK M6-1 NY INS
13	0H3443	2	COTTER HAIRPIN 2.56 X .80	61	0H0025	1	ASSY 12VDC POWER JACK W/LUGS
14	022145	10	WASHER FLAT 5/16-M8 ZINC	62	0G8542	1	BRACKET, MUFFLER 389CC
15	051731	4	SCREW HHC M8-1.25 X 50 C8.8	63	0G6392	4	BOOT, VINYL STARTER-SOLENOID
16	0G5445	4	SCREW HHTT M8-1.25 X 20	64	0742600189	1	WIRE ASSEMBLY
17	0L2176	2	SCREW HHSD PREMIUM 1/4-14X1 BZ	65	0H3535	6	NUT FLANGE M5-0.8 NYLOCK
18	0H3590	2	VIB MNT 38.4 X 30.5 X M8-1.25	66	052618	4	SCREW HHC M5-0.8 X 12 C8.8
19	067989	14	NUT HEX FL WHIZ M8-1.25	67	0742600193	1	WIRE ASSEMBLY
20	0H0720	1	BRACKET, BENT, FOOT, GX	68	0G9449	1	BATTERY 12V10AH SEALED
21	039253	6	SCREW HHC M8-1.25 X 20 C8.8	69	0H2764	1	BRACKET,BATTERY,HOLD DOWN
22	0G2018	2	SCREW HHSD 1/4-14 X 7/8	70	092079	2	SCREW HHTT M6-1.0 X 25 BP
23	055414	1	LUG SLDLSS #2-#8 X 17/64 CU	71	086729	1	CONTACTOR, STARTER SOLENOID
24	0742600186	1	GROUND WIRE BRG CAR-LUG 4KW	72	0H4768A	2	JUMPER WIRE ASSEMBLY, 5.00"
25	0A1658	1	WASHER LOCK SPECIAL 1/4"	73	089338	2	NUT HEX LOCK #8-32 NY INS BRS
26	090388	4	SCREW HHTT M6-1.0 X 12 ZINC	74	027529	2	NUT HEX LOCK 1/4-20 NY INS
27	0G8465	2	GRIP NUBBED 1-1/4"X4-3/8"	75	0H4863	1	7KW ALTERNATOR W/JUMPER WIRE
28	0J1208B	1	ASSY HANDLE XG	76	0G9832	1	BRACKET, MOUNTING ALT7KW
29	0H5307	8	SPACER, SELF LOCATING	77	046526	3	WASHER LOCKING
30	0F2659	1	SCREW HHTT M3-0.5 X 6 BP	78	022511	3	SCREW HHC 3/8-16 X 1-1/4 G5
31	0H9527	1	ASSY BUTTON HANDLE XG	79	030209	1	SCREW HHC 5/16-24 X 1-1/4 G5
32	0H2205	2	BEARING,HANDLE,XG	80	0H0919	1	ASSEMBLY BRUSH VISION
33	0H9525	2	BEARING EXTERNAL HANDLE XG	81	0H0228C	1	WIRE ASSY RED SOL TO SOL
34	0H9529B	1	BRACKET MOUNTING HANDLE	82	0H3049	1	COVER ALTERNATOR INLET 5-7KW
35	0H6887	2	BOLT CARR 5/16-18X2 BLCK ZINC	83	0H1610	4	INSERT, ANTI-CRUSH FOR TANKS
36	0G8382	4	SCREW PPPH #8-16 X .66" BZC	84	049226	3	LOCK WASHER M5
37	0H2142	1	VALVE HOLDER,FUEL SHUTOFF	85	049815	3	SCREW HHC M5-0.8 X 16
38	0G9549	1	SWITCH SPDT (ON)-OFF-ON 20A	86	051713	2	FLAT WASHER M5
39	0G9560A	1	CABLE CHOKE PORT NOM 382	87	0H5762	1	FUEL LINE FORMED
40	0H3455E	1	FUEL HOSE, 160 MM LONG	88	023484E	1	BUSHING SNAP SB-687-8
41	0H3419	1	VALVE,FUEL SHUTOFF	89	0H3631	1	GROMMET, ROLLOVER VALVE
42	0H4284	1	AVR, 7KW VN ALTERNATOR	90	0H3630	1	ROLLOVER VALVE
43	0H1411	5	RUBBER MOUNT	91	0J1699	1	EVAP HOSE FORMED
44	0H1326	1	FILTER, FUEL	92	0H4218	1	HARNESS ENGINE GH410 XG ES
45	0H0958	1	ASSY GAS CAP SEALED - CHROME	93	0742600192	1	WIRE ASSEMBLY
46	0H1357	2	SCREW PFHM M5-0.8 X 12	94	0742600188	1	WIRE ASSEMBLY
47	0H1359	1	PLATE, FUEL GAGE	95	0G8486	2	CAP NUT 5/16-18 ZBC
48	0H1345	1	FUEL GAGE, 153 MM LONG ARM	96	0H2565A	1	WELDMNT,FUEL TANK XG 9GAL CARB



ITEM	PART	QTY.	DESCRIPTION
1	SEE TABLE	1	ASSY RECEPTACLE PANEL
2	0D4966	2	OUTLET 20A 120V GFCI GF20BK
3	0D4804B	1	XFMR IDLE CURRENT
4	SEE TABLE	1	POWERBAR ASSY
5	0H5283B	1	CB 2P 30A 250W CSA M SERIES
6	077043B	1	CONDUIT FLEX .50"ID
7	0A5489	1	SNAP BUSHING.75 OPEN
8	0H6784	2	LED CONTROL PANEL SNAP-FIT XG
9	0G8321	1	HOUR METER W/ALERTS AC/DC
10	0G9391	1	COVER,30A 120/240V
11	0G9392	2	COVER, 20A 120V GFCI/DUPLEX
12	0G9756	1	RECPTACLE PANEL STORM-GEN
13	022264	6	WASHER LOCK #8-M4
14	026579	1	WASHER LOCKF EXT #8 STEEL
15	043180	6	WASHER FLAT M4
16	051715	9	NUT HEX M4-0.7 G8 YEL CHR
17	0G8382	4	SCREW PPPH #8-16 X .66" BZC
18	0G9060	2	SCREW PPHM M4-0.7 X 10 BZC
19	0H0265C	2	CB 20A 1P 120V CUL/CSA JOEMEX
20	0H2929	1	OUTLET 30A 120/250V SPCGR
21	0H3968	3	SCREW PPHM M4-0.7 X 20 BLK ZC
22	SEE TABLE	1	WIRE HARNESS (NOT SHOWN)

TABLE 1				
ITEM	QTY.	DESCRIPTION	7000W	8000W
1	1	ASSY RECEPTACLE PANEL	0H5280B	0H5280C
4	1	POWERBAR ASSY	0H3362C	0H3362D
22	1	WIRE HARNESS (NOT SHOWN)	0H5275	0H5276

FLYWHEEL OPTION  
ENGINE PRODUCTION LEVEL 10E



1	082774	1	KEY, WOODRUFF 4 x 19D
2	091222C	1	ASSY, FLYWHEEL W/RING GEAR 27 DEGREE
3	067198N	1	WASHER, BELV-20 X 2.2
4	067890	1	NUT, HEX – FLYWHEEL