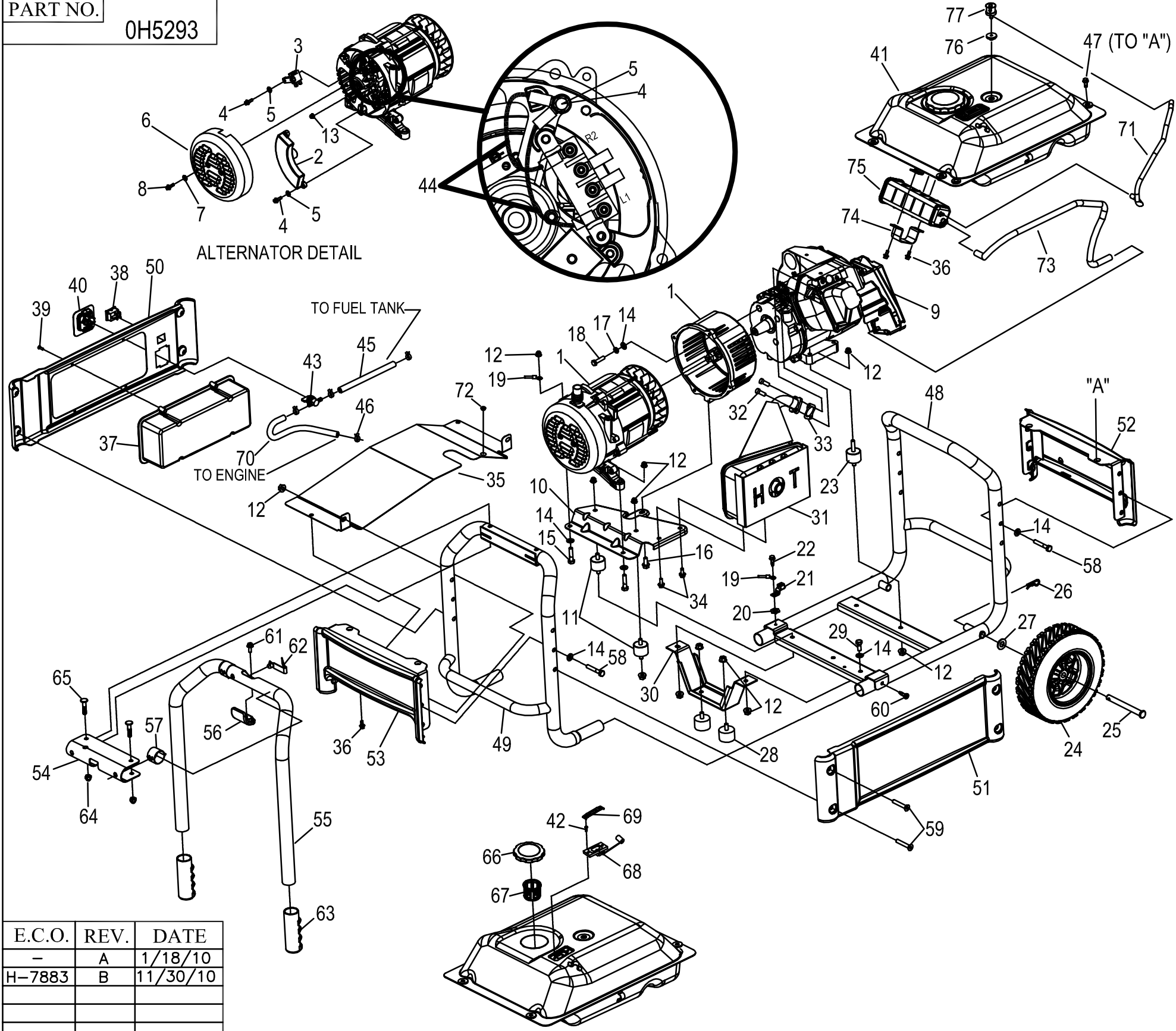


PART NO. 0H5293



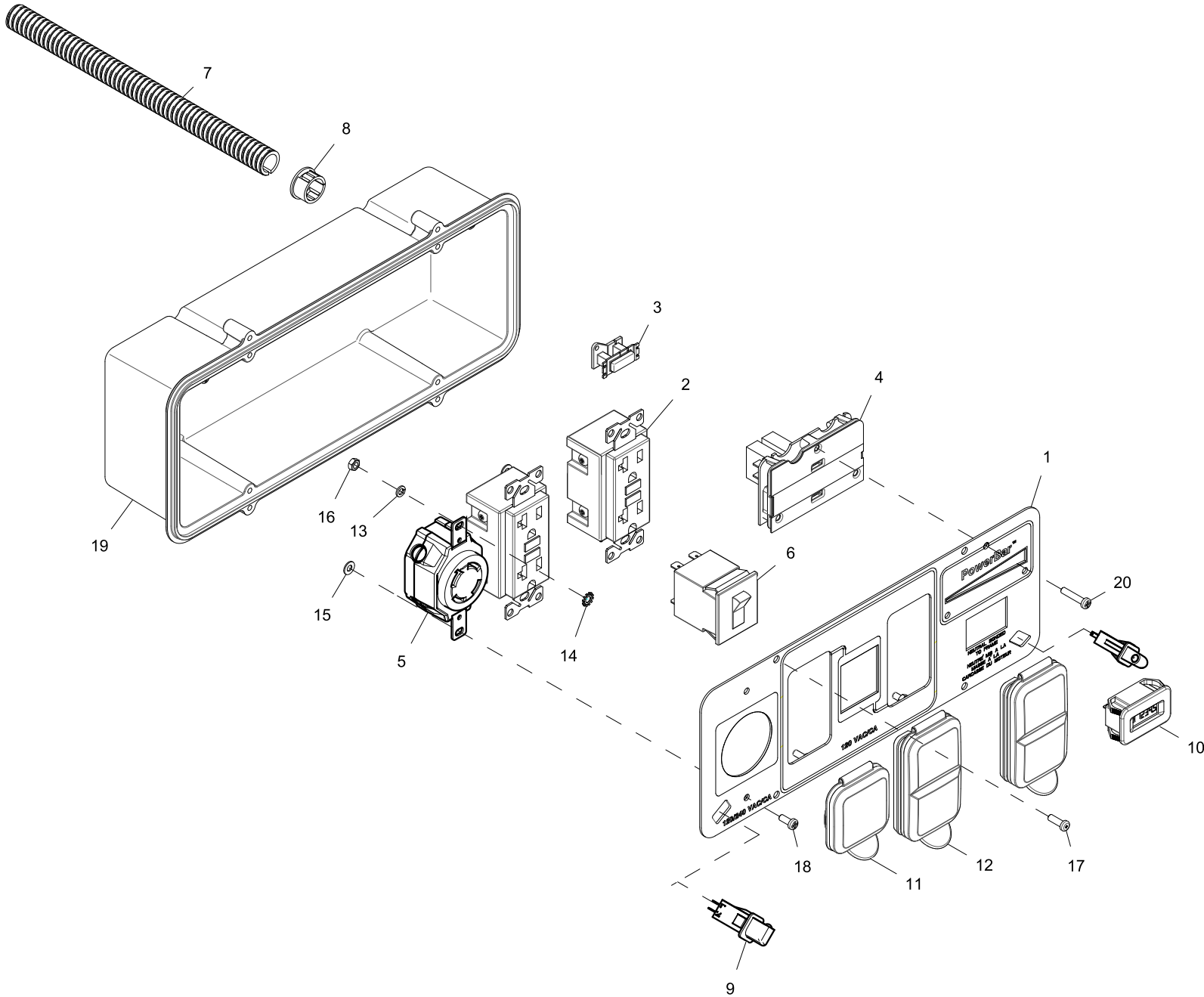
ITEM	PART #	QTY.	DESCRIPTION	ITEM	PART #	QTY.	DESCRIPTION
1	0H4860	1	XG4000 ALTERNATOR W/JUMPER WIRES	74	0H5720	1	BRKT, CARBON CAN HOLD DOWN
2	0H2579	1	AVR, XG4000 ALTERNATOR	75	0H5726	1	CARBON CANISTER, 220CC
3	0H0919	1	ASSEMBLY, BRUSH	76	0H3631	1	GROMMET, ROLL-OVER VALVE
4	049815	4	SCREW HHC M5.0 X 16	77	0H3630	1	ROLL-OVER VALVE
5	051713	4	FLAT WASHER, M5				
6	0H3049	1	END COVER				
7	049226	2	LOCK WASHER, M5				
8	052618	2	SCREW HHC M5.0 X 12				
9	0H6222	1	ENGINE, G H220 XG PS CARB				
10	0H2698	1	BRACKET, MUFFLER MOUNT				
11	0H2770	2	VIBRATION MOUNT				
12	067989	16	NUT HEX FL WHIZ M8-1.25				
13	0H3535	4	NUT FLG NYLN LOCK M5-0.8				
14	022145	12	WASHER FLAT 5/16-M8				
15	039414	2	SCREW HHC M8-1.25 X 35				
16	0D4662	1	SCREW HHTR 5/16-18 X 3/4				
17	022129	4	WASHER LOCK M8-5/16				
18	030209	4	SCREW HHC 5/16-24 X 1-1/4				
19	0742600186	1	WIRE ASSY GND ALT TO BASE				
20	0A1658	1	WASHER LOCK SPECIAL 1/4				
21	055414	1	LUG SL DL SS #2-#8 X 17/64 CU				
22	0G2018	1	SCREW HHS D 1/4-20 X 7/8				
23	0H2771	2	VIBRATION MOUNT				
24	0H4420	2	WHEEL, 9.5" DIAMETER				
25	0H1129	2	AXLE, PIN				
26	0H3443	2	COTTER HAIRPIN				
27	0B7171	2	WASHER FLAT 1/2 SS				
28	0H3590	2	VIBRATION MNT 3/8 X 30 X M8-1.25				
29	039253	2	SCREW HHC M8-1.25 X 20				
30	0H0720	1	BRACKET, FRAME FOOT				
31	0H2757	1	MUFFLER, GH220, SIDE OUT, XG				
32	0G3730	2	SCREW SHC M8-1.25 X 20				
33	0B9476	1	GASKET, EXHAUST				
34	0G0926	2	SCREW HHFCS M6-1 X 16				
35	0H6370	1	HEAT SHIELD XG 4				
36	090388	4	SCREW HHTT M6-1.0 X 12				
37	0H5285A	1	AS SY, RECEPTACLE PANEL XG4				
38	0H3451	1	SWITCH, ENGINE RUN-STOP				
39	0G8382	4	SCREW PPPH #8-16 X 0.66				
40	0H2142	1	HOLDER, FUEL SHUTOFF VALVE				
41	0H2017A	1	AS SY, FUEL TANK 4.5 GAL XG CARB				
42	0H1357	2	SCREW, PFHM M5.0 X 12				
43	0H3419	1	VALVE, FUEL SHUTOFF				
44	0H4768A	2	WIRE ASSY JUMPER				
45	0H3455E	1	FUEL HOSE, 160mm LONG				
46	048031G	4	HOSE CLAMP				
47	0G5445	4	SCREW HHTT M8-1.25 X 20				
48	0H2176	1	AS SY, FRAME BASE				
49	0H2203	1	AS SY, FRAME END BACK				
50	0H2161A	1	PANEL RAIL				
51	0H2161B	1	PANEL RAIL				
52	0H2187A	1	ASSEMBLY, END RAIL				
53	0H2187B	1	ASSEMBLY, END RAIL				
54	0H2206A	1	BRACKET, HANDLE MOUNT				
55	0H2209	1	TUBE, HANDLE				
56	0H3854	1	HANDLE STOP XG				
57	0H2205	2	BEARING, HANDLE, XG				
58	051731	4	SCREW HHC M8-1.25 X 50				
59	0H3456	8	SCREW FHS C M8-1.25 X 50				
60	0H5030	2	SCREW HHS D 1/2 X 7/8 BZ				
61	0G0926	1	SCREW HHFCS M6-1 X 16				
62	0G5442	1	SNAP BUTTON				
63	0G8465	2	GRIP NUBBED 1-1/4 X 4-3/8				
64	0G8486	2	CAP NUT 5/16-18				
65	0H0031	2	CHB CUSTOM 5/16-18 X 46				
66	0H0958A	1	AS SY, GAS CAP SEALED				
67	0H1326	1	FUEL FILTER				
68	0H1345	1	FUEL GAGE, 153 MMLONG ARM				
69	0H1359	1	PLATE, FUEL GAGE				
70	0H5762	1	FUEL LINE, FORMED VALVE TO ENG.				
71	0H1207D	1	HOSE, 4mm ID X 8mm OD X 19" LONG				
72	023484D	1	SNAP BUSHING				
73	0H1207E	1	HOSE, 9mm ID X 14mm OD X 32"				

E.C.O.	REV.	DATE
-	A	1/18/10
H-7883	B	11/30/10

DO NOT SCALE

GROUP

EXPLODED VIEW:		XG4000 PORTABLE CARB		GENERAC POWER SYSTEMS	
DRAWN BY:	DMC	DATE:	12/01/09	P.O. BOX 8 WAUKESHA, WIS. 53186	
CHECKED BY:	C. RICHARDSON	DATE:	1/9/10	FIRST USE:	05844-0
APPROVED BY:	D. VALERIO	DATE:	1/12/10	PART NO.:	0H5293
RELEASED FOR PRODUCTION BY:	K. BAUER	DATE:	1/18/10	REV.:	B



ITEM	PART	QTY.	DESCRIPTION
1	0H5280A	1	ASSY COVER RECP PANEL XG4 CSA
2	0H3346	2	OUTLET 20A 120V GFCI GF20BK
3	0D4804B	1	XFMR IDLE CURRENT
4	0H6566	1	POWERBAR ASSY
5	0H3342	1	OUTLET 20A 120/250V SPCGR
6	0H5283A	1	CB 20A 250W CSA M SERIES
7	077043B	1	CONDUIT FLEX .50"ID
8	0A5489	1	SNAP BUSHING.75 OPEN
9	0H6784	2	LED CONTROL PANEL SNAP-FIT XG
10	0G8321	1	HOUR METER W/ALERTS AC/DC
11	0G9391	1	COVER,30A 120/240V
12	0G9392	2	COVER, 20A 120V GFCI/DUPLEX
13	022264	6	WASHER LOCK #8-M4
14	026579	1	WASHER LOCKF EXT #8 STEEL
15	043180	6	WASHER FLAT M4
16	051715	9	NUT HEX M4-0.7 G8 YEL CHR
17	0G8382	4	SCREW PPPH #8-16 X .66" BZC
18	0G9060	2	SCREW PPHM M4-0.7 X 10 BZC
19	0G9756	1	RECPTACLE PANEL STORM-GEN
20	0H3968	3	SCREW PPHM M4-0.7 X 20 BLK ZC
21	0H5274	1	WIRE HARNESS XG 4 (NOT SHOWN)