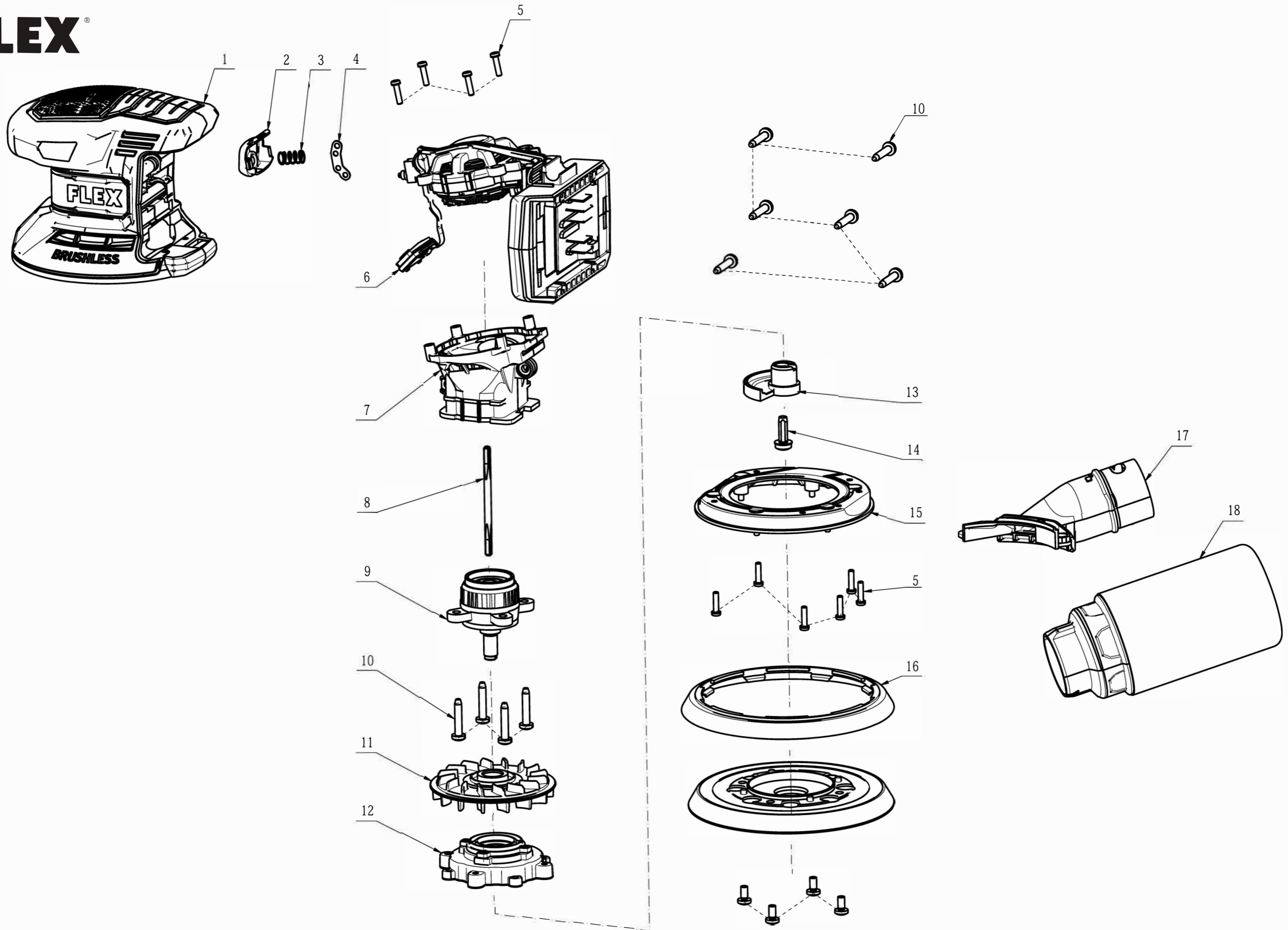


FLEX[®]



No.	Product	Part Number	Description	Qty
1	FX3411-Z	3900679002	L R Housing Set	1
2	FX3411-Z	3133939001	Switch Button	1
3	FX3411-Z	3660701001	Compression Spring	1
4	FX3411-Z	3709003001	Pressure Plate	1
5	FX3411-Z	5620371003	Hexagon Socket Screw	10
6	FX3411-Z	2850241001	Stator and Electronic Compone	1
7	FX3411-Z	2850304001	Support Assembly	1
8	FX3411-Z	3650304001	Flexible Shaft	1
9	FX3411-Z	2850295001	Output Shaft Assembly	1
10	FX3411-Z	5610284001	Tapping Screw	13
11	FX3411-Z	3300065001	Fan	1
12	FX3411-Z	2829856001	Bearing Assembly	1
13	FX3411-Z	3522112001	Balancing Weight	1
14	FX3411-Z	2850242001	Screw and Washer Set	1
15	FX3411-Z	2829858001	Cover Plate Assembly	1
16	FX3411-Z	3133941001	Collection Cover	1
17	FX3411-Z	2850238001	Vacuum Adapter Assembly	1
18	FX3411-Z	2829318001	Dust Bag Assembly	1

