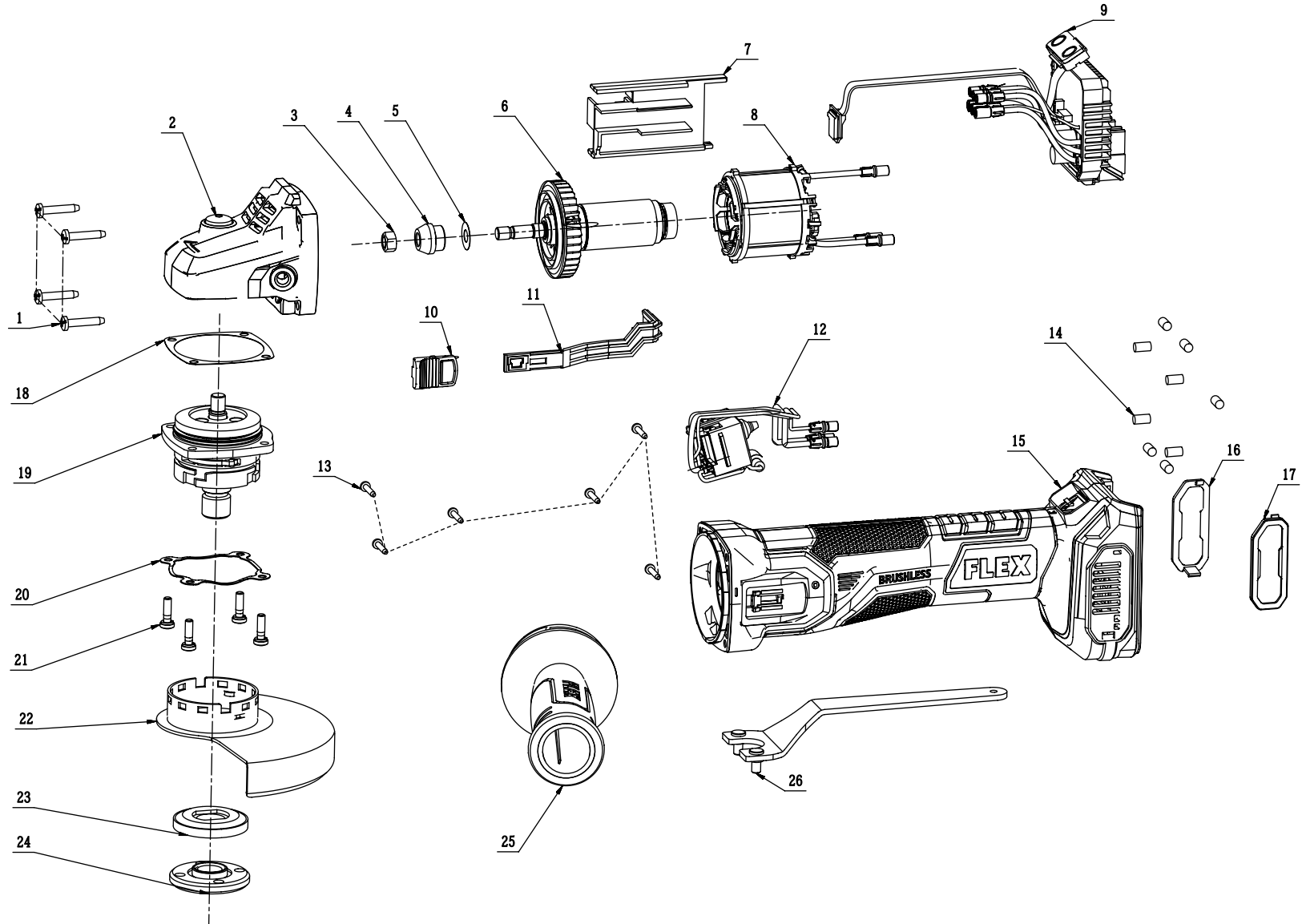


FLEX



No.	Product Model#	Part Number	Description	Qty
1	FX3181A-Z	5610284002	Tapping Screw	4
2	FX3181A-Z	2827241001	Gear Case Assembly	1
3	FX3181A-Z	5630224002	Nut	1
4	FX3181A-Z	3552378001	Bevel Pinion	1
5	FX3181A-Z	5650326001	Dust Washer	1
6	FX3181A-Z	2751303001	Rotor Set	1
7	FX3181A-Z	3131290001	Wire Slot	1
8	FX3181A-Z	2740392001	Stator Assembly	1
9	FX3181A-Z	2830805002	5003.2_Electric Assembly	1
10	FX3181A-Z	3129628001	Switch Button	1
11	FX3181A-Z	3130929001	Switch Actuator	1
12	FX3181A-Z	4870849001	Switch Assembly	1
13	FX3181A-Z	5610241002	Screw	6
14	FX3181A-Z	3123928002	Rubber Pole	9
15	FX3181A-Z	3900335001	L R Housing Set	1
16	FX3181A-Z	3403185001	Dust Cover	1
17	FX3181A-Z	3403184001	Dust Cover	1
18	FX3181A-Z	3705836001	Gasket Seal	1
19	FX3181A-Z	2827349001	Output Shaft Assembly	1
20	FX3181A-Z	5650877001	Wave Washer	1
21	FX3181A-Z	5620360003	Hexagon Lobuar Screw	4
22	FX3181A-Z	3705835001	Guard	1
23	FX3181A-Z	2820067001	Inner Flange	1
24	FX3181A-Z	3550333003	Outer Flange	1
25	FX3181A-Z	3322966001	Auxiliary Handle	1
26	FX3181A-Z	3700583004	Wrench	1