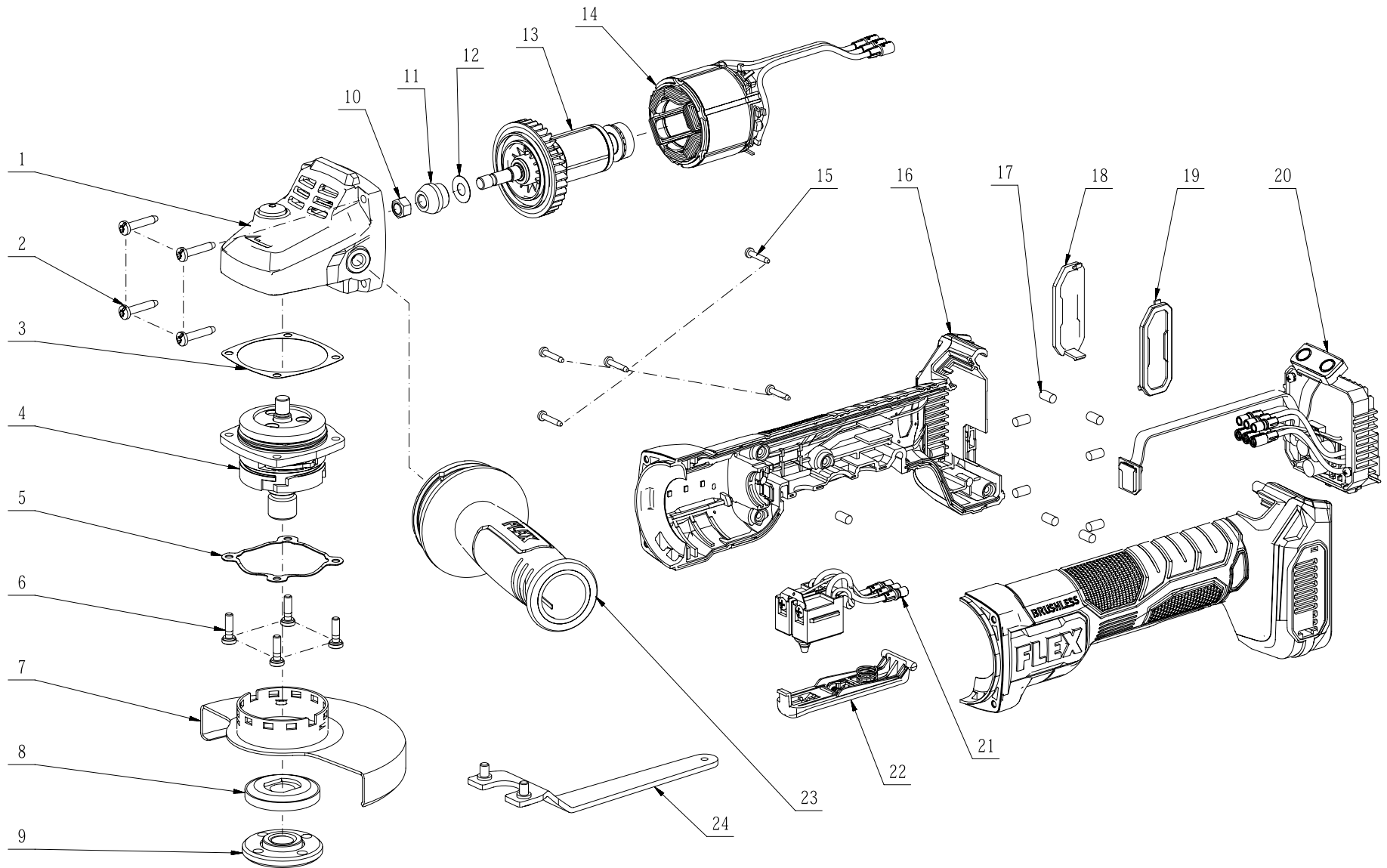


FLEX



No.	Product Model#	Part Number	Description	Qty
1	FX3171A	2790571001	Gear Case Assembly	1
2	FX3171A	5610284002	Tapping Screw	4
3	FX3171A	3705836001	Gasket Seal	1
4	FX3171A	2827349001	Output Shaft Assembly	1
5	FX3171A	5650877001	Wave Washer	1
6	FX3171A	5620360003	Hexagon Lobuar Screw	4
7	FX3171A	3705835001	Guard	1
8	FX3171A	2820067001	Inner Flange	1
9	FX3171A	3550109002	Outer Flange	1
10	FX3171A	5630224002	Nut	1
11	FX3171A	3552378001	Bevel Pinion	1
12	FX3171A	5650326001	Dust Washer	1
13	FX3171A	2751309001	Rotor Set	1
14	FX3171A	2740034001	Stator Assembly	1
15	FX3171A	5610241002	Screw	5
16	FX3171A	2828296001	L R Housing Set	1
17	FX3171A	3123928002	Rubber Pole	9
18	FX3171A	3403185001	Dust Cover	1
19	FX3171A	3403184001	Dust Cover	1
20	FX3171A	2830805001	5004_Electric Assembly	1
21	FX3171A	4870694003	Switch Assembly	1
22	FX3171A	2827721001	Switch Lever Assembly	1
23	FX3171A	3322966001	Auxiliary Handle	1
24	FX3171A	3700583004	Wrench	1