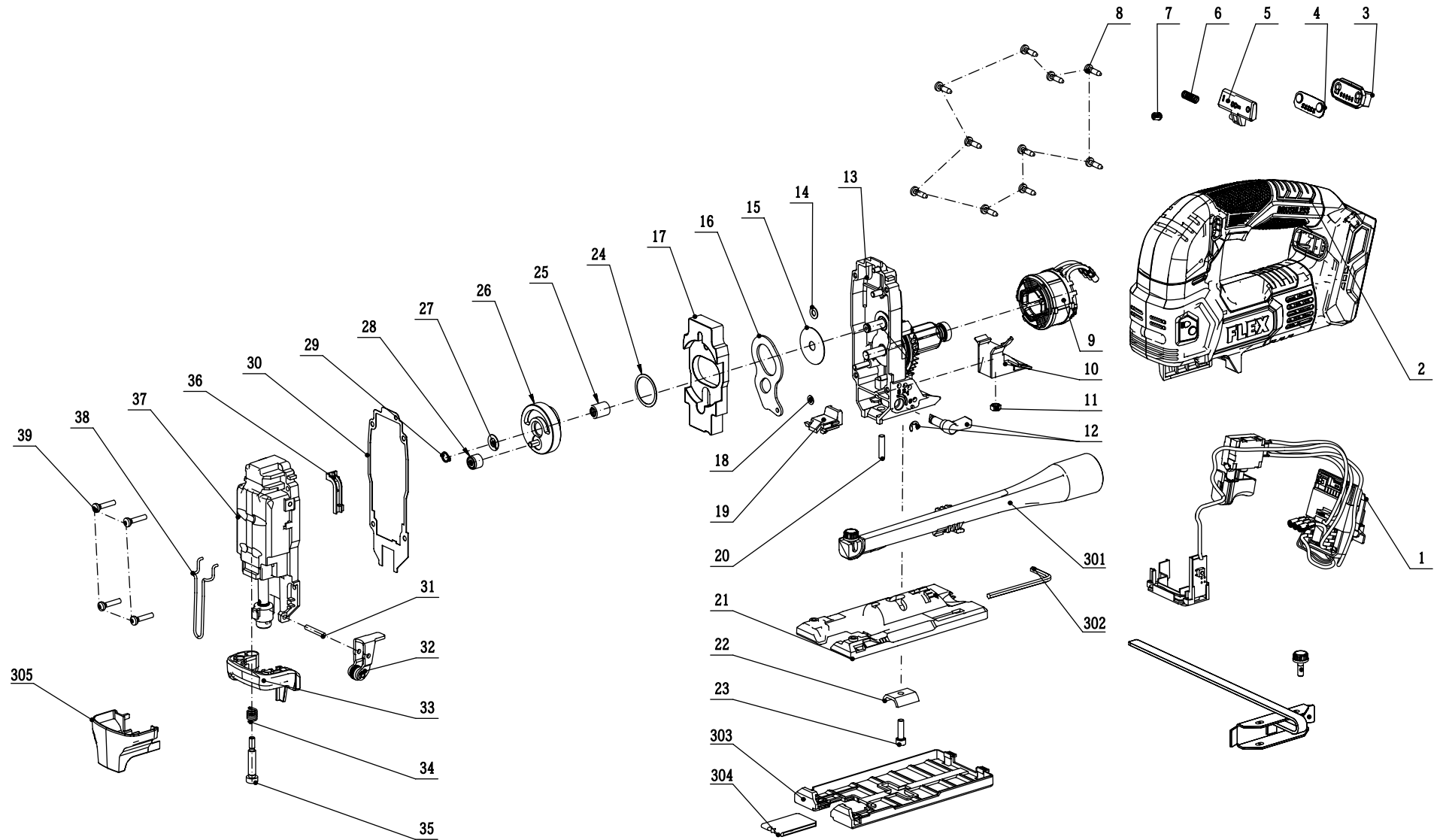


FLEX



No.	Product Model#	Part Number	Description	Qty
1	FX2231	2830840001	Electric Assembly	1
2	FX2231	2828437001	L R Housing Set	1
3	FX2231	3131473001	Speed Governor Housing	1
4	FX2231	3131445001	Indicator Label	1
5	FX2231	3131183001	Push Button	1
6	FX2231	3660622001	Compression Spring	1
7	FX2231	5700214001	Orientation Ball	1
8	FX2231	5610223002	Hexagon Lobuar Screw	10
9	FX2231	2740550002	Stator	1
10	FX2231	3130484001	Fan Baffle	1
11	FX2231	5630003008	Hexagon Nut	1
12	FX2231	2827302001	Pendulum Knob Set	1
13	FX2231	2790616001	Gear Case Assembly	1
14	FX2231	3700197003	Washer	1
15	FX2231	3700184001	Washer D	1
16	FX2231	3707048001	Pendulum Plate	1
17	FX2231	3521191001	Counterweight	1
18	FX2231	5650006001	Plain Washer	1
19	FX2231	3130480001	Blower Tube	1
20	FX2231	5670326001	Pendulum Pin	1
21	FX2231	2826758001	Base Plate Set	1
22	FX2231	3703884002	Clamp	1
23	FX2231	5620446004	Hexagon Socket Screw	1
24	FX2231	3700203001	Washer 1	1
25	FX2231	5700029001	Needle Bearing	1
26	FX2231	2826803001	Gear Assembly	1
27	FX2231	3700183001	Washer C	1
28	FX2231	2828438001	Crank Roller Assembly	1
29	FX2231	5660007001	Circlips For Shaft	1
30	FX2231	3707063001	Gasket Seal	1
31	FX2231	3550883001	Guiding Roller Support Pin	1
32	FX2231	2823334003	Roller Support Set	1
33	FX2231	3403126001	Lever	1
34	FX2231	3660770001	Torsion Spring	1
35	FX2231	5620368002	Screw	1
36	FX2231	3130474001	Wire Box	1
37	FX2231	2828439001	Gear Case Cover Assembly	1
38	FX2231	3650240001	Wire Guard	1
39	FX2231	5620450002	Pan Head Screw	4
301	FX2231	2828443001	Vacuum Adapter Assembly	1
302	FX2231	5680031005	Hexagon Wrench	1
303	FX2231	3130481001	Guard	1
304	FX2231	3130586001	Clamp	1
305	FX2231	3130475001	Transparent Guard	1