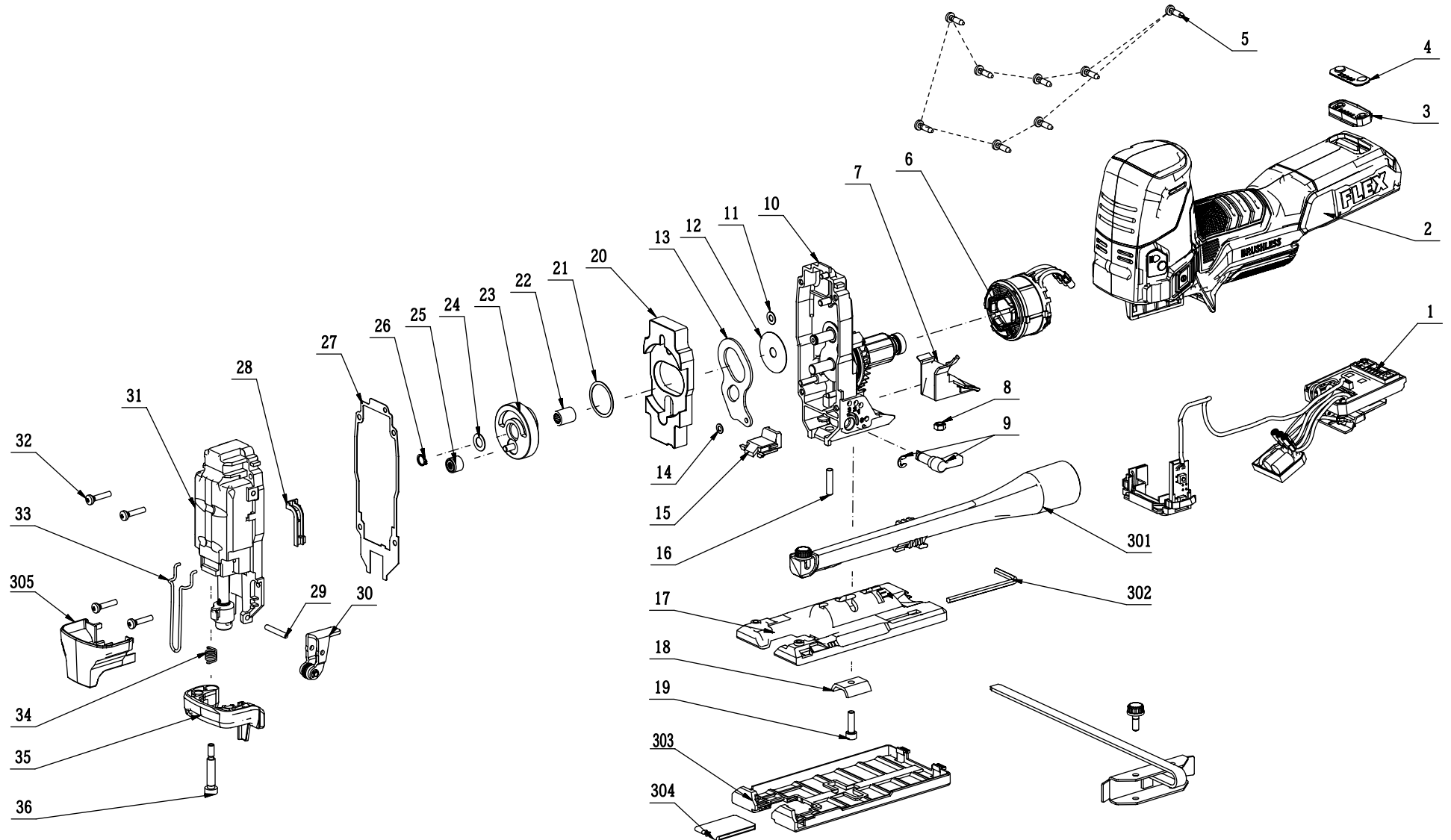


FLEX



No.	Product Model#	Part Number	Description	Qty
1	FX2221-Z	2830759001	Electric Assembly	1
2	FX2221-Z	2828459001	L R Housing Set	1
3	FX2221-Z	3131444001	Speed Governor Housing	1
4	FX2221-Z	3131445001	Indicator Label	1
5	FX2221-Z	5610223002	Hexagon Lobuar Screw	8
6	FX2221-Z	2740550002	Stator	1
7	FX2221-Z	3130484001	Fan Baffle	1
8	FX2221-Z	5630003008	Hexagon Nut	1
9	FX2221-Z	2827302001	Pendulum Knob Set	1
10	FX2221-Z	2790616001	Gear Case Assembly	1
11	FX2221-Z	3700197003	Washer	1
12	FX2221-Z	3700184001	Washer D	1
13	FX2221-Z	3707048001	Pendulum Plate	1
14	FX2221-Z	5650006001	Plain Washer	1
15	FX2221-Z	3130480001	Blower Tube	1
16	FX2221-Z	5670326001	Pendulum Pin	1
17	FX2221-Z	2826758001	Base Plate Set	1
18	FX2221-Z	3703884002	Clamp	1
19	FX2221-Z	5620446004	Hexagon Socket Screw	1
20	FX2221-Z	3521191001	Counterweight	1
21	FX2221-Z	3700203001	Washer 1	1
22	FX2221-Z	5700029001	Needle Bearing	1
23	FX2221-Z	2826803001	Gear Assembly	1
24	FX2221-Z	3700183001	Washer C	1
25	FX2221-Z	2828438001	Crank Roller Assembly	1
26	FX2221-Z	5660007001	Circlips For Shaft	1
27	FX2221-Z	3707063001	Gasket Seal	1
28	FX2221-Z	3130474001	Wire Box	1
29	FX2221-Z	3550883001	Guiding Roller Support Pin	1
30	FX2221-Z	2823334003	Roller Support Set	1
31	FX2221-Z	2828439001	Gear Case Cover Assembly	1
32	FX2221-Z	5620450002	Pan Head Screw	4
33	FX2221-Z	3650240001	Wire Guard	1
34	FX2221-Z	3660770001	Torsion Spring	1
35	FX2221-Z	3403126001	Lever	1
36	FX2221-Z	5620368002	Screw	1
301	FX2221-Z	2828443001	Vacuum Adapter Assembly	1
302	FX2221-Z	5680031005	Hexagon Wrench	1
303	FX2221-Z	3130481001	Guard	1
304	FX2221-Z	3130586001	Clamp	1
305	FX2221-Z	3130475001	Transparent Guard	1