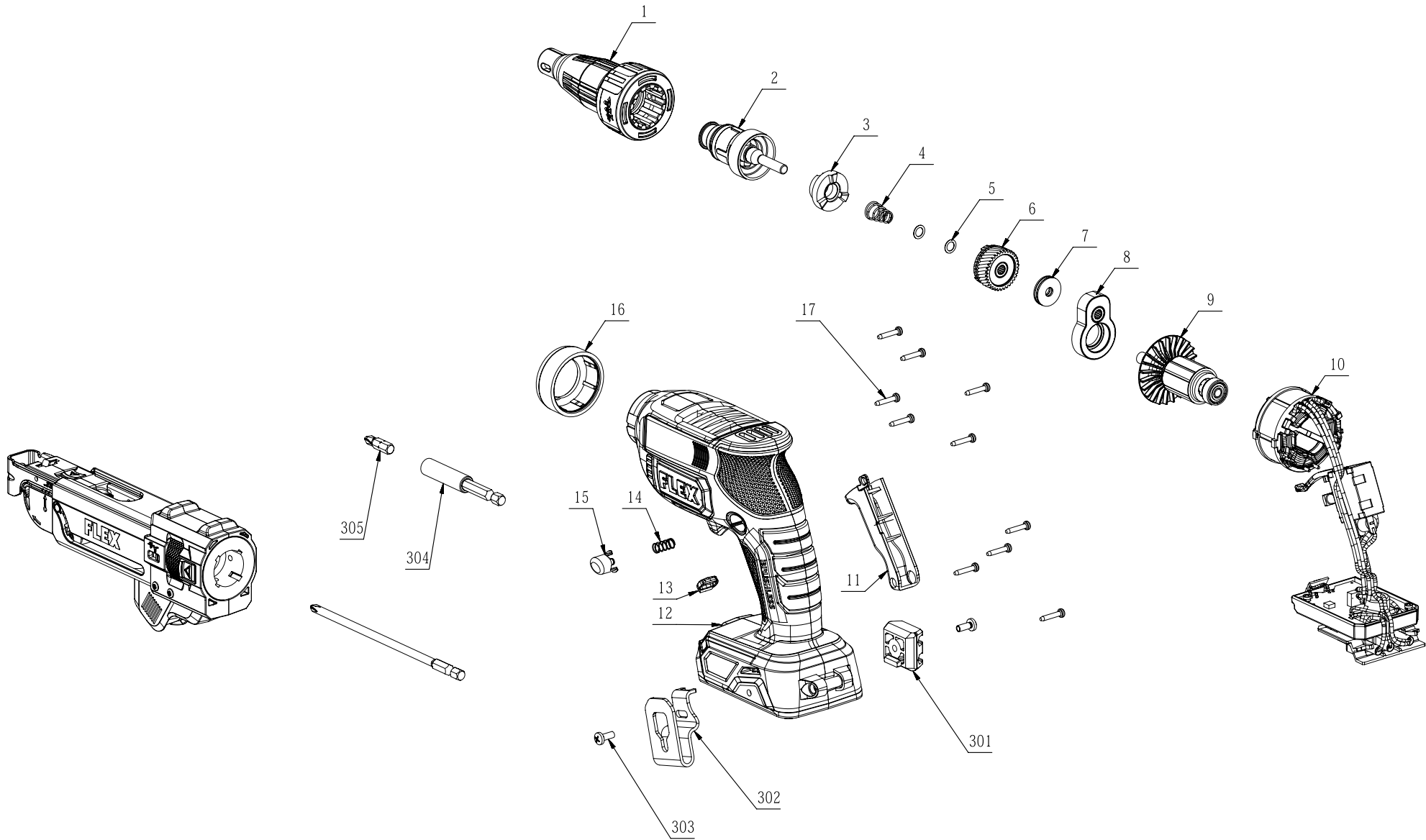


FLEX



No.	Product Model#	Part Number	Description	Qty
1	FX1611-Z	2827539002	Depth Locator Assembly	1
2	FX1611-Z	2825902002	Output Shaft ASSY	1
3	FX1611-Z	3552956001	Clutch	1
4	FX1611-Z	3660709001	Spring	1
5	FX1611-Z	5650663001	Plain Washer	2
6	FX1611-Z	2825904002	Transmitting Gear ASSY	1
7	FX1611-Z	5700387001	Bearing Assembly	1
8	FX1611-Z	2825903002	Bearing Support ASSY	1
9	FX1611-Z	2751153002	Rotor	1
10	FX1611-Z	2827623002	Stator and Electronic Components	1
11	FX1611-Z	3129491001	Switch Trigger	1
12	FX1611-Z	2827615002	Housing Assembly	1
13	FX1611-Z	3127733001	LED Cover	1
14	FX1611-Z	3660091001	Reset Spring	1
15	FX1611-Z	3129492001	Switch Lock	1
16	FX1611-Z	3129483001	Outer Lock Cover	1
17	FX1611-Z	5610241002	Screw	10
301	FX1611-Z	3127743001	Bit Holder	1
302	FX1611-Z	3707622001	Buckle	1
303	FX1611-Z	5620039010	Screw	2
304	FX1611-Z	3810770001	Bit Extension Bar	1
305	FX1611-Z	3810102001	Screw Bit	1