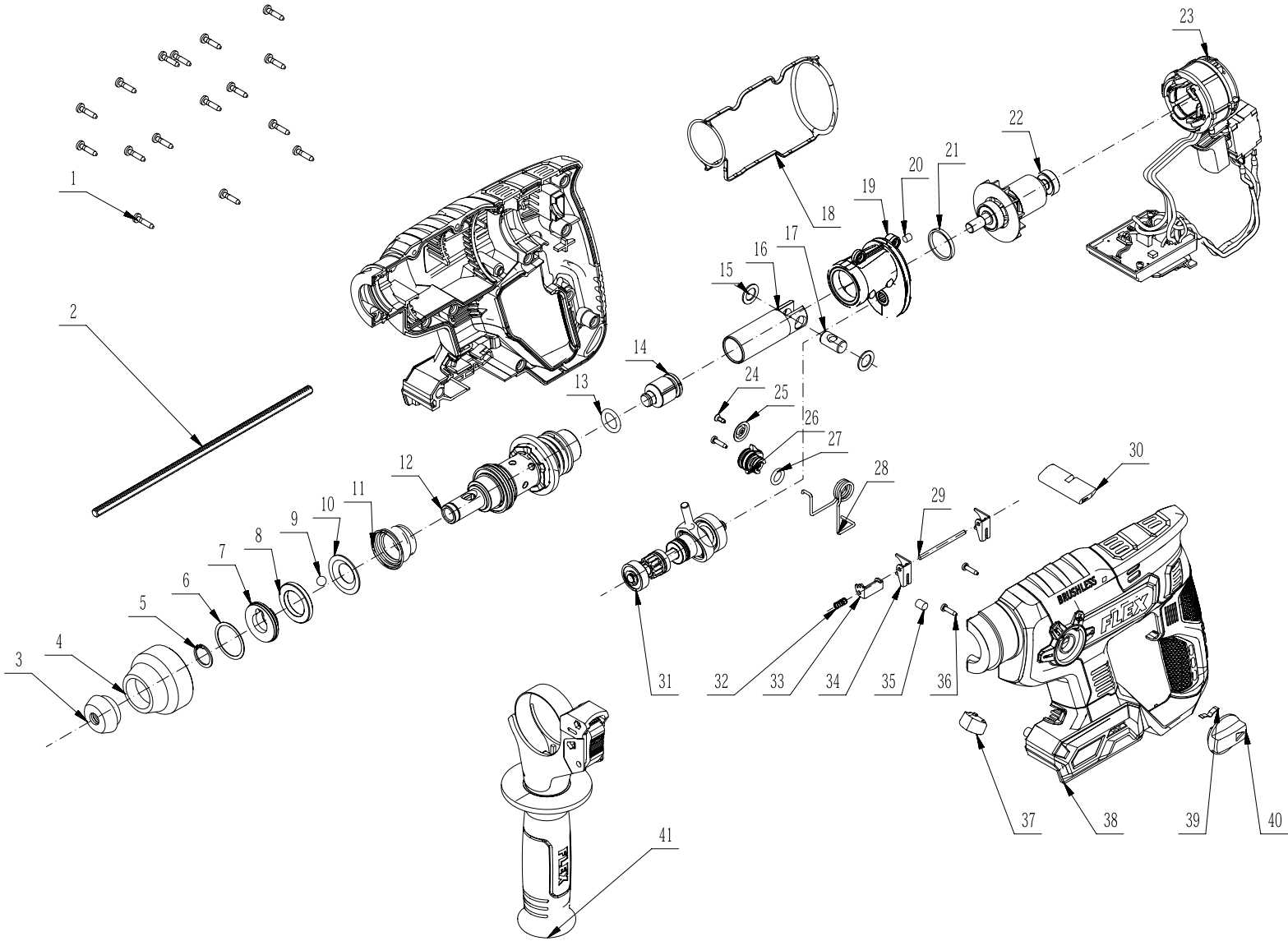


FLEX



No.	Product Model#	Part Number	Description	Qty
1	FX1531-Z	5610225002	Hexagon Lobuar Screw	16
2	FX1531-Z	3551688001	Depth Stop	1
3	FX1531-Z	2827133001	Dust Cap Assembly	1
4	FX1531-Z	3127858001	Plastic Sleever	1
5	FX1531-Z	5660213001	Circlip For Shaft	1
6	FX1531-Z	3700203001	Washer 1	1
7	FX1531-Z	3127857001	Supporting Ring	1
8	FX1531-Z	3550802001	Steel Ring	1
9	FX1531-Z	5700172001	Steel Ball	1
10	FX1531-Z	5650511001	Clip	1
11	FX1531-Z	3660290001	Spring	1
12	FX1531-Z	2824096003	Spindle Bush ASSY	1
13	FX1531-Z	5690316001	O Ring	1
14	FX1531-Z	3552238002	Percussion Hammer	1
15	FX1531-Z	5650526002	Plain Washer	2
16	FX1531-Z	3552293001	Cylinder	1
17	FX1531-Z	3552298001	Rod Bushing	1
18	FX1531-Z	5690323001	Gasket Seal	1
19	FX1531-Z	2824095001	Middle Cover ASSY	1
20	FX1531-Z	3703709001	Felt Block	1
21	FX1531-Z	3121029001	Rubber Ring	1
22	FX1531-Z	2751028002	Rotor	1
23	FX1531-Z	2828454001	Stator and Electronic Components	1
24	FX1531-Z	5610076003	Tapping Screw	1
25	FX1531-Z	3705832001	Spring Seat	1
26	FX1531-Z	3127853001	Push Button	1
27	FX1531-Z	5690216001	O Ring	1
28	FX1531-Z	3660592002	Torsion Spring	1
29	FX1531-Z	5670021001	Parallel Pin	1
30	FX1531-Z	3127856001	Shift Lever	1
31	FX1531-Z	2824094002	Middle Shaft ASSY	1
32	FX1531-Z	3660375001	Spring	1
33	FX1531-Z	3705829001	Push Plate	1
34	FX1531-Z	3705828002	Push Plate	2
35	FX1531-Z	3121006001	Rubber Insert	1
36	FX1531-Z	5610012008	Tapping Screw	3
37	FX1531-Z	3123822001	Transparent Cap	1
38	FX1531-Z	3900333001	L R Housing Set	1
39	FX1531-Z	3700088001	Reed	1
40	FX1531-Z	3127854001	Knob	1
41	FX1531-Z	2824232001	Auxiliary Handle ASSY	1