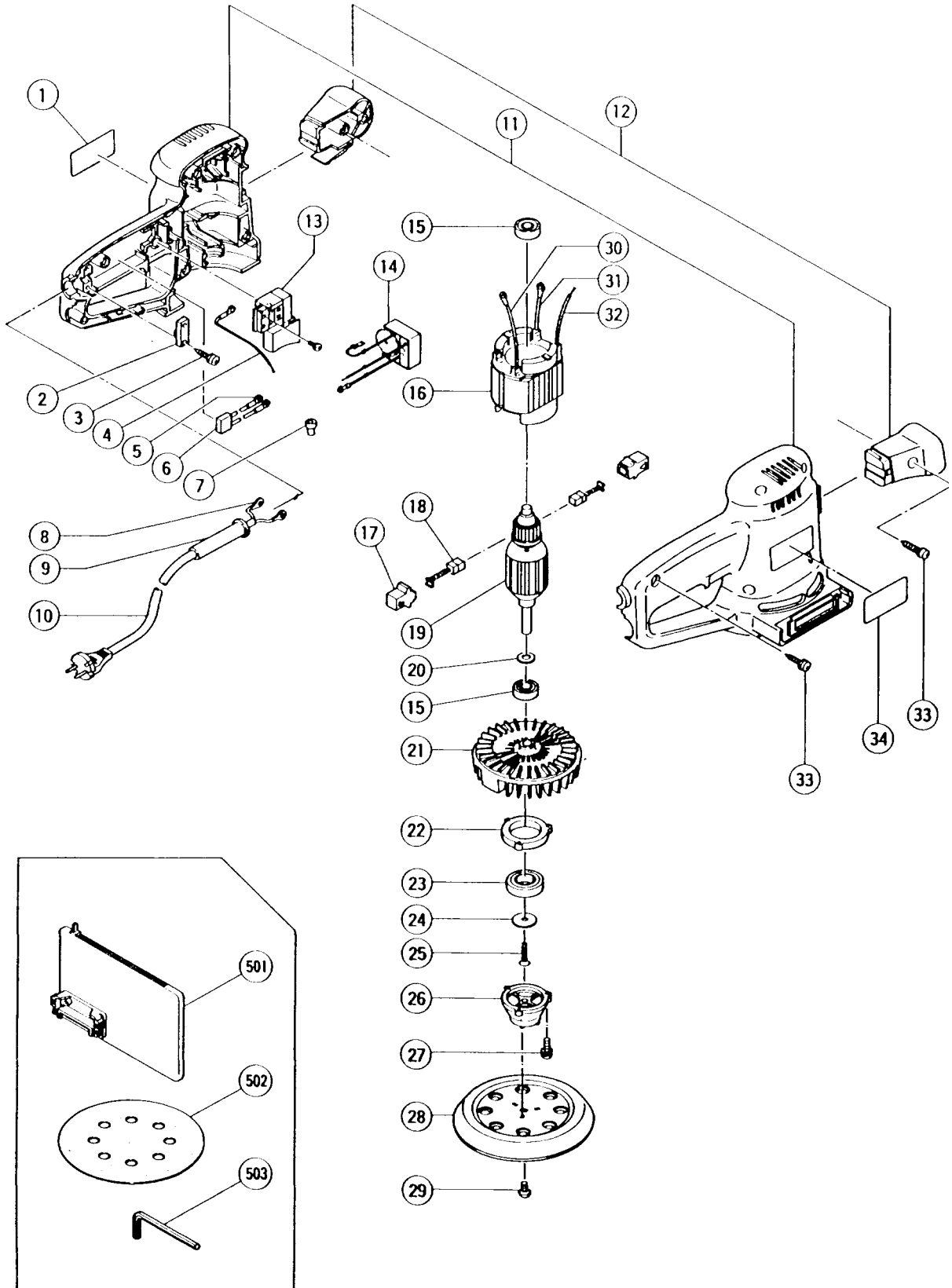


ELECTRIC TOOL PARTS LIST

■ RANDOM ORBIT SANDER
Model FSV 13Y

1994 • 5 • 20
(E1)



PARTS

FSV 13Y

ITEM NO.	CODE NO.	DESCRIPTION	NO. USED	REMARKS
1		HITACHI LABEL	1	
2	960-266	CORD CLIP	1	
3	984-750	TAPPING SCREW (W/FLANGE) D4X16	2	
* 4	309-431	INTERNAL WIRE	1	FOR NZL,GBR,ITA,FRG,FRA,HOL,DEN,FIN,SWE, NOR,SUI
* 5	980-063	TERMINAL	2	FOR NOISE SUPPRESSOR
* 6	930-039	NOISE SUPPRESSOR	1	FOR NZL,GBR,ITA,FRG,FRA,HOL,DEN,FIN,SWE, NOR,SUI
* 7	959-140	CONNECTOR 50091 (10 PCS.)	1	FOR INA,SIN,NZL,GBR,ITA,FRG,FRA,HOL,DEN, FIN,SWE,NOR,SUI
* 8	980-063	TERMINAL	2	FOR CORD
* 9	303-662	CORD ARMOR D8.8	1	
* 9	307-217	CORD ARMOR D7.2	1	
* 10	500-409Z	CORD	1	(CORD ARMOR D8.8)
* 10	500-226Z	CORD	1	(CORD ARMOR D8.8) FOR AUS,NZL
* 10	500-240Z	CORD	1	(CORD ARMOR D8.8) FOR USA,CAN
* 10	500-421Z	CORD	1	(CORD ARMOR D8.8) FOR SIN
* 10	500-436Z	CORD	1	(CORD ARMOR D7.2) FOR GBR
* 10	500-395Z	CORD	1	(CORD ARMOR D8.8) FOR SUI
11	309-434	HOUSING (A),(B) SET	1	
12	308-512	FRONT KNOB ASS'Y	1	INCLUD.33
* 13	305-819	SWITCH (E) (1P SCREW TYPE) W/LOCK	1	
* 13	305-817	SWITCH (D) (1P SCREW TYPE) W/LOCK	1	FOR INA,SIN
* 14	309-426	CONTROLLER CIRCUIT 115V	1	
* 14	300-186	CONTROLLER CIRCUIT 220V - 240V	1	
* 14	309-425	CONTROLLER CIRCUIT 240V	1	FOR AUS
15	608-VVM	BALL BEARING 608VVMC2EPS2L	2	
* 16	340-301C	STATOR 110V - 115V	1	
* 16	340-301E	STATOR 220V - 230V	1	
* 16	340-301F	STATOR 240V	1	
17	930-483	BRUSH HOLDER	2	
18	999-041	CARBON BRUSH (1 PAIR)	2	
* 19	360-341U	ARMATURE ASS'Y 110V - 115V	1	INCLUD.15,20
* 19	360-341E	ARMATURE 220V - 230V	1	
* 19	360-341F	ARMATURE 240V	1	
20	954-184	WASHER (D)	1	
21	309-424	BALANCER FAN	1	
22	309-423	BEARING COVER	1	
23	600-2DD	BALL BEARING 6002DDUCMPS2S	1	
24	309-422	WASHER	1	
25	949-322	FLAT HD. SCREW M4X10 (10 PCS.)	1	
26	309-421	BEARING HOLDER	1	
27	302-937	MACHINE SCREW (W/WASHERS) M3X16	3	
28	309-419	PAD (PRESSURE SENSITIVE TYPE)	1	
29	309-420	HEX. SOCKET BUTTON BOLT M6X10	1	
* 30	305-807	INTERNAL WIRE (A)	1	
* 30	309-432	INTERNAL WIRE	1	FOR USA,CAN
* 31	305-808	INTERNAL WIRE (A)	1	
* 31	309-433	INTERNAL WIRE	1	FOR USA,CAN
* 32	309-429	INTERNAL WIRE	1	
* 32	309-430	INTERNAL WIRE	1	FOR AUS,USA,CAN

* : ALTERNATIVE PARTS

